

PRIMO GRILL ASSEMBLY: TWO ADULTS ARE NEEDED TO ASSEMBLE THE GRILL

TOOLS NEEDED:

1/2" Wrench And 5mm Hex Key

⚠ IMPORTANT

Do Not Lift The Grill By The Hinge Assembly.

1. Select a smooth level area for unpacking assembly, and insertion into a cradle, cart or table. **See Figure 1.**



Figure 1

2. Open the top of the box and fold the flaps down to reveal the grill. Remove the cardboard surrounding the top vent. **See Figures 2a and 2b.**



Figure 2a (Head Only)



Figure 2b (AIO)

3. Remove the corner cardboard posts around the grill. **See Figures 3a and 3b.**



Figure 3a (Head Only)



Figure 3b (AIO)

PRIMO - OVAL XXL GRILL UNPACKING

4. Remove the outer cardboard. Open the grill carefully. See Figures 4a and 4b.



Figure 4a (Head Only)



Figure 4b (AIO)

5. Have an adult stand behind the grill and hold it securely to prevent tipping. Remove the internal components, including the ceramic firebox. See Figure 5.



Figure 5

6. Place the cradle, cart, or table nearby and lock the casters. The top front bar on metal carts can be removed for easier installation. See Figure 6.

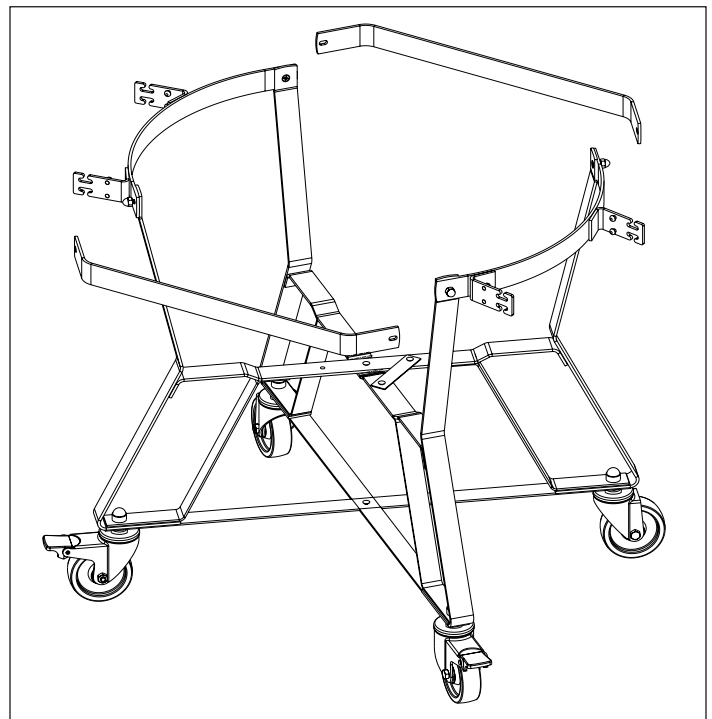


Figure 6

PRIMO - OVAL XXL GRILL UNPACKING

7. Two adults are required to lift the grill. Both should be positioned on each end of the grill with one hand under the grill and the other behind the grill. The opened ash door can also be used as a lifting point. DO NOT LIFT USING THE OPENED ASH DOOR WITHOUT WEARING HEAVY GLOVES. See Figure 7.



Figure 7

8. Before and after first use, use a 5mm hex key to ensure that both bands are tight. Do not over tighten. Check tightness periodically. See Figure 8.



Figure 8



918 Freeburg Avenue
Belleville, IL 62220
618.233.7420
www.primogrill.com