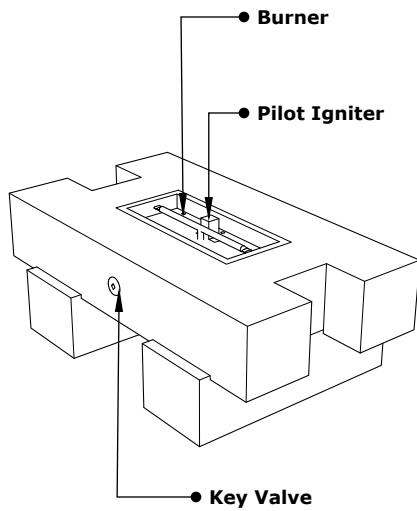
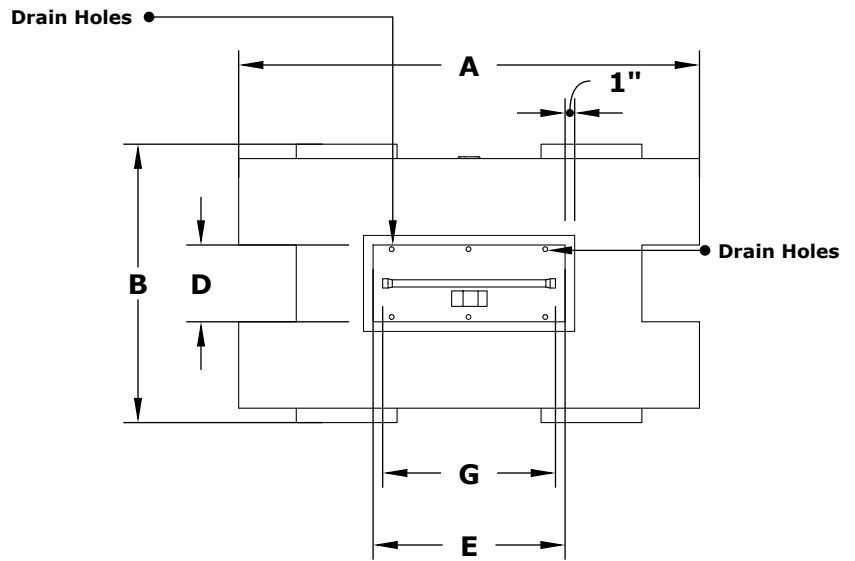


Palo FIRE PIT

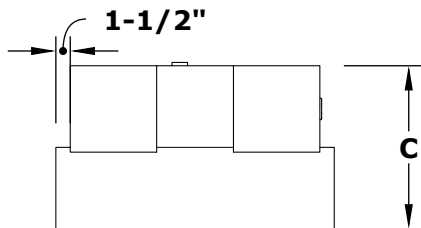
METAL POWDER COAT



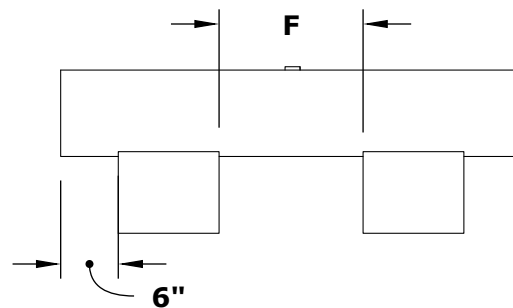
ISOMETRIC VIEW



TOP VIEW



RIGHT SIDE VIEW



FRONT SIDE VIEW

PART NUMBER	A	B	C	D	E	F	G	BTU
OPT-PAL48	48"	28"	16"	8.5"	20"	15"	18"	20,000
OPT-PAL48EKIT	48"	28"	16"	8.5"	20"	15"	18"	20,000
OPT-PAL60	60"	28"	16"	8.5"	32"	27"	24"	25,000
OPT-PAL60EKIT	60"	28"	16"	8.5"	32"	27"	24"	25,000
OPT-PAL72	72"	28"	16"	8.5"	44"	39"	40"	40,000
OPT-PAL72EKIT	72"	28"	16"	8.5"	44"	39"	40"	40,000
OPT-PAL84	84"	28"	16"	8.5"	56"	51"	48"	50,000
OPT-PAL84EKIT	84"	28"	16"	8.5"	56"	51"	48"	50,000
OPT-PAL96	96"	28"	16"	8.5"	68"	63"	60"	65,000
OPT-PAL96	96"	28"	16"	8.5"	68"	63"	60"	65,000

Fire Pit Material: GFRC Concrete
 Pan Material: 304 Stainless Steel
 Burner Material: 304 Stainless Steel

Standard 1" Flange on all pans
 Standard 2" Depth on all pans

110V ELECTRONIC IGNITION
 ANSI Z21.97-(2017) / CSA 2.41-(2017)



Match Lit Unit Includes: Pan, Burner, Gas Orifice, Gas Hoses, Key Valve, Key,
 110v Ignition Unit Includes: Pan, Burner, Gas Orifice, Gas Hoses, Key Valve, Key, Plug & Play Electronic Valve, Pilot Igniter.