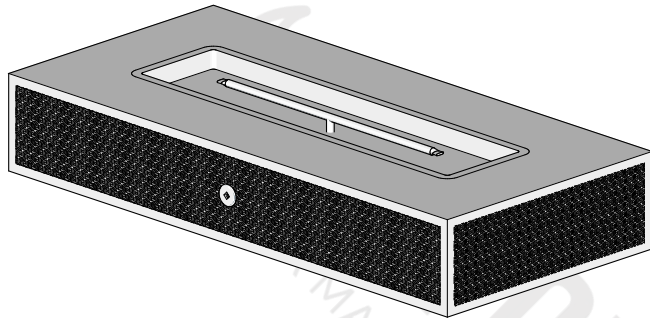
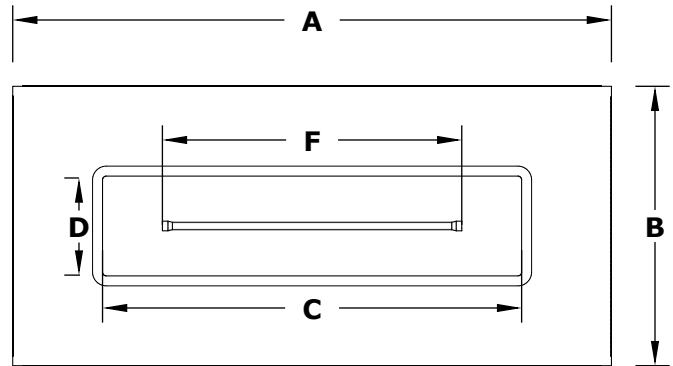


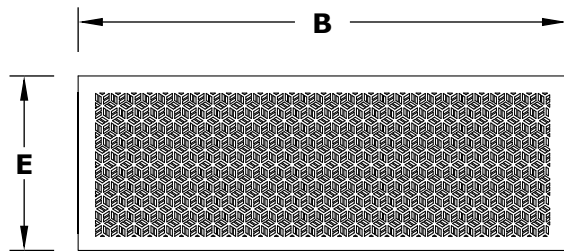
LED MANILA FIRE PIT
POWDER COAT
OPT-MNLPC(XX)



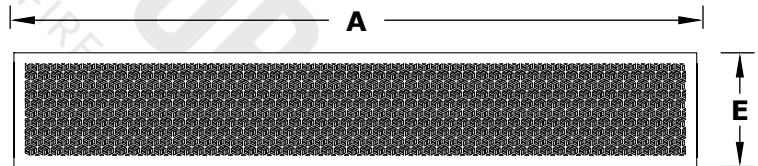
ISOMETRIC VIEW



TOP VIEW



RIGHT SIDE VIEW



RIGHT SIDE VIEW

SKU	A	B	C	D	E	F	BTU
OPT-MNLPC48	48"	28"	30"	10"	10"	24"	65,000
OPT-MNLPC60	60"	28"	42"	10"	10"	30"	65,000
OPT-MNLPC72	72"	28"	54"	10"	10"	42"	65,000
OPT-MNLPC84	84"	28"	66"	10"	10"	54"	65,000
OPT-MNLPC96	96"	28"	78"	10"	10"	60"	65,000

Fire Pit Material: Powder Coat
 Pan Material: 304 Stainless Steel
 Burner Material: 304 Stainless Steel
 Standard 2" Depth on all pans
110V ELECTRONIC IGNITION
 ANSI Z21.97-(2017) / CSA 2.41-(2017)



Match Lit Unit Includes: Pan, Burner, Gas Orifice, Gas Hoses, Key Valve, Key,
 110v Ignition Unit Includes: Pan, Burner, Gas Orifice, Gas Hoses, Key Valve, Key, Plug & Play Electronic Valve, Pilot Igniter.

Drawn By	Madeline S.
Date Created	November 14, 2022

Proprietary & Confidential: The information contained in this drawing is the sole property of **The Outdoor Plus**. Any reproduction or as a whole without written permission of **The Outdoor Plus** is prohibited.