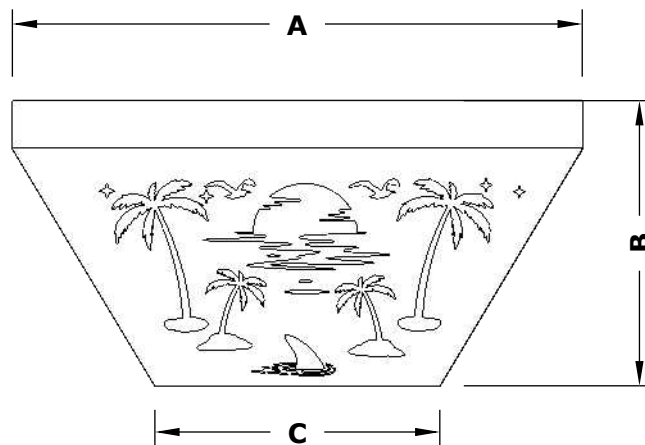
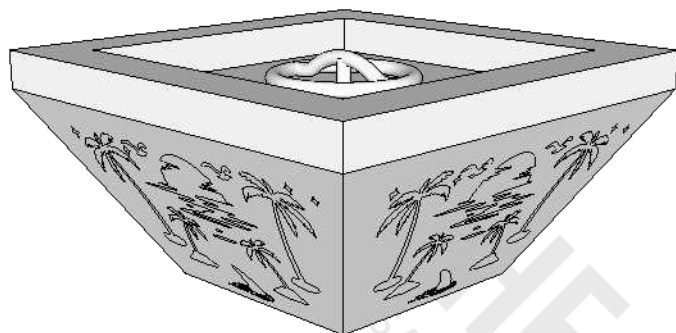


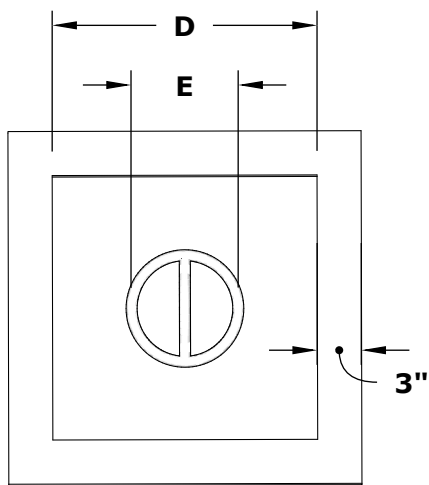
Lighthouse LED Fire Bowl - Miami Edition

Powder Coat

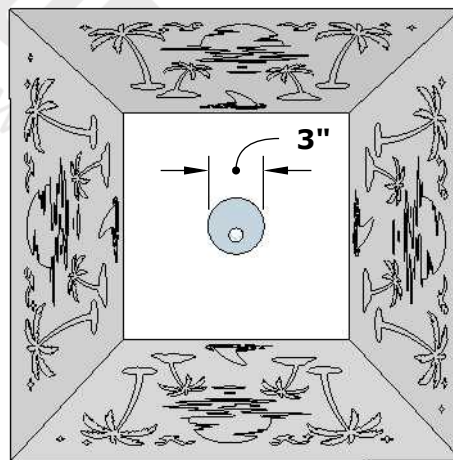


TOP VIEW

ISOMETRIC VIEW



RIGHT SIDE VIEW



PART NUMBER	A	B	C	D	E	BTU
OPT-LHFOMIAPC24	24"	12"	12"	18"	8"	45,000
OPT-LHFOMIAPC30	30"	12"	15"	24"	8"	45,000
OPT-LHFOMIAPC36	36"	12"	18"	30"	8"	45,000

Fire Pit Material: Ready-to-Finish
 Pan Material: 304 Stainless Steel
 Burner Material: 304 Stainless Steel
 Standard 2" Depth on all pans

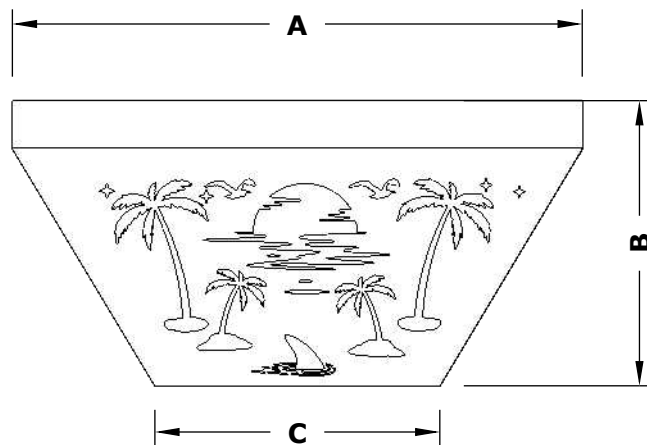
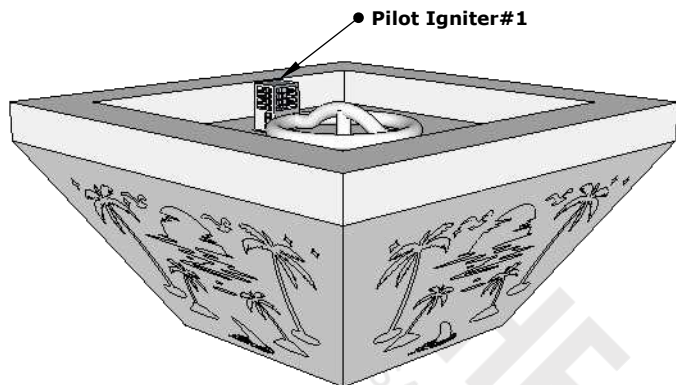


Match Lit Unit Includes: Pan, Burner, Gas Orifice, Gas Hoses, Key Valve, Key,
 110v Ignition Unit Includes: Pan, Burner, Gas Orifice, Gas Hoses, Key Valve, Key, Plug & Play Electronic Valve, Pilot Igniter.

Proprietary & Confidential: The information contained in this drawing is the sole property of **The Outdoor Plus**. Any reproduction or as a whole without written permission of **The Outdoor Plus** is prohibited.

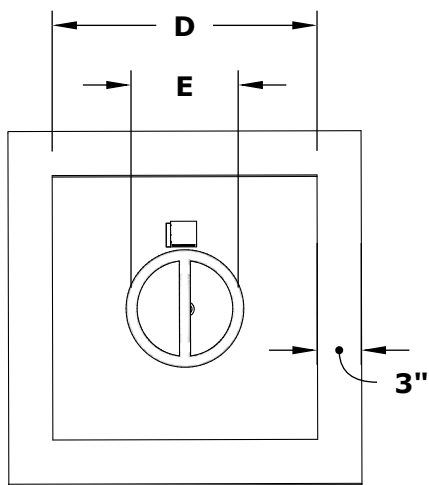
Lighthouse LED 12V Fire Bowl - Miami Edition

Powder Coat

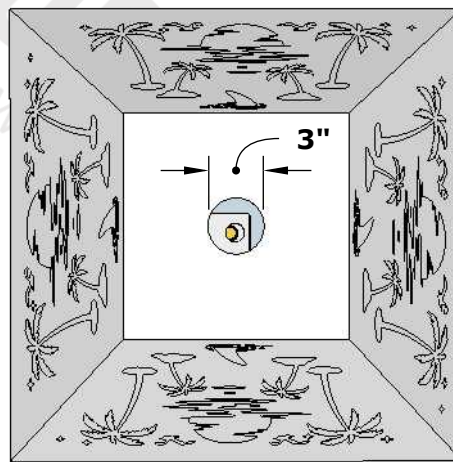


TOP VIEW

ISOMETRIC VIEW



RIGHT SIDE VIEW



PART NUMBER	A	B	C	D	E	BTU
OPT-LHFOMIAPC24	24"	12"	12"	18"	8"	45,000
OPT-LHFOMIAPC30	30"	12"	15"	24"	8"	45,000
OPT-LHFOMIAPC36	36"	12"	18"	30"	8"	45,000

Fire Pit Material: Ready-to-Finish
 Pan Material: 304 Stainless Steel
 Burner Material: 304 Stainless Steel
 Standard 2" Depth on all pans
12V ELECTRONIC IGNITION
 ANSI Z21.97-(2017) / CSA 2.41-(2017)



Match Lit Unit Includes: Pan, Burner, Gas Orifice, Gas Hoses, Key Valve, Key,
 110v Ignition Unit Includes: Pan, Burner, Gas Orifice, Gas Hoses, Key Valve, Key, Plug & Play Electronic Valve, Pilot Igniter.

Proprietary & Confidential: The information contained in this drawing is the sole property of The Outdoor Plus. Any reproduction or as a whole without written permission of The Outdoor Plus is prohibited.