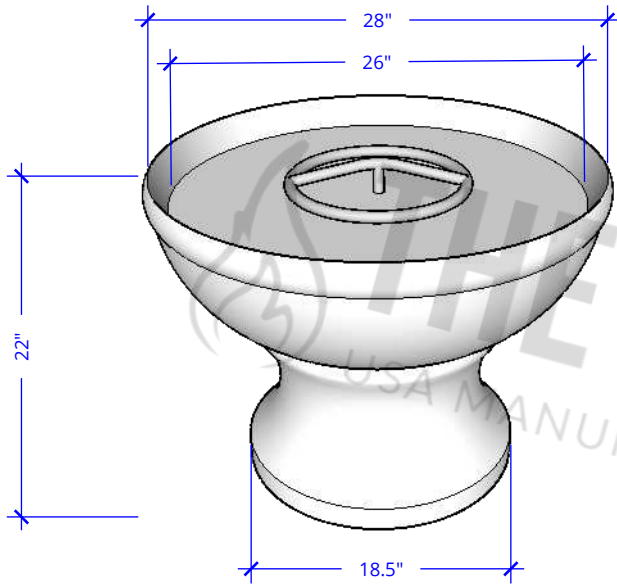
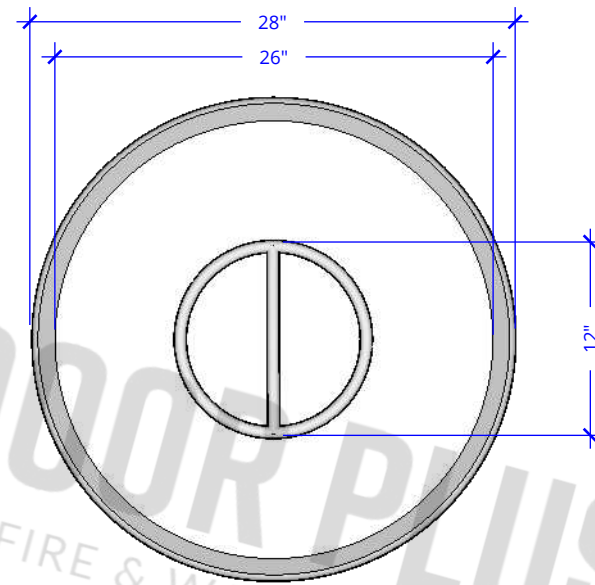


# HANA FIRE PIT - 28"

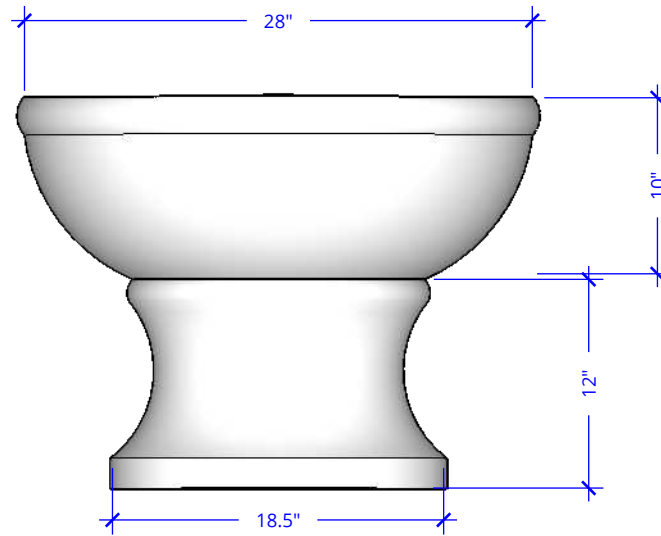
GFRG CONCRETE



**ISOMETRIC VIEW**



**TOP VIEW**



**FRONT VIEW**

28" Sedona Fire Bowl with round legs - Powder Coat Metal	
<b>SKU</b>	OPT-HNA28(XXXX)
<b>Material</b>	GFRG CONCRETE
<b>Finish</b>	TBD
<b>Gas Type</b>	Natural Gas/Liquid Propane
<b>BTUs</b>	65,000
<b>Sugg. Fire Glass</b>	65 Lbs