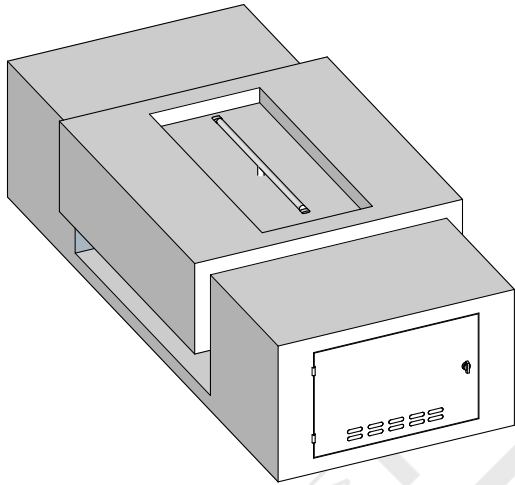
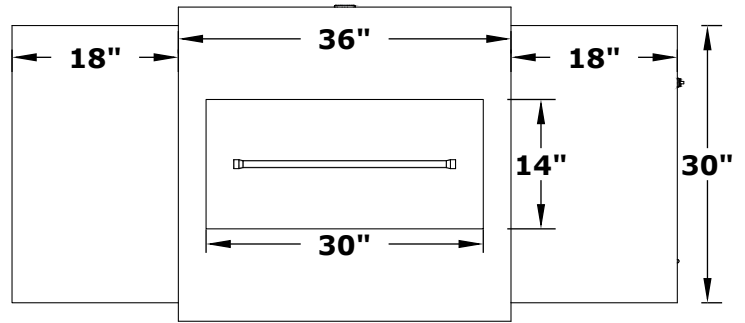


HARBOR FIRE PIT 72"

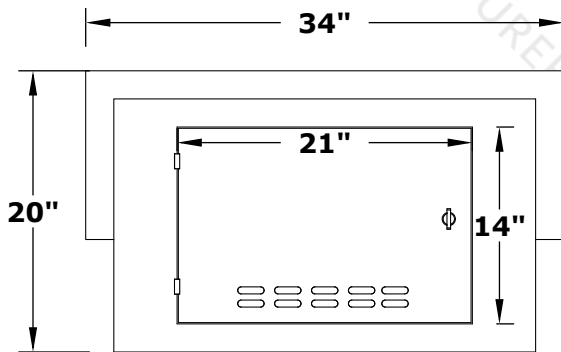
POWDER COAT
OPT-HBR72PC



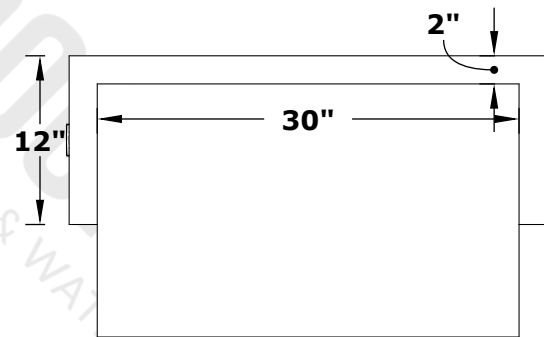
ISOMETRIC VIEW



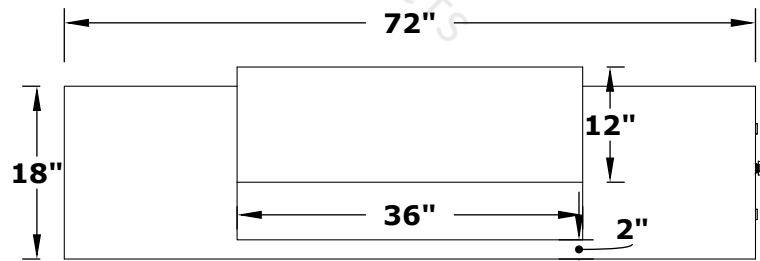
TOP VIEW



RIGHT SIDE VIEW



LEFT SIDE VIEW



FRONT SIDE VIEW

Fire Pit Material: Powder Coat
Pan Material: 304 Stainless Steel
Burner Material: 304 Stainless Steel
Standard 2" Depth on all pans

110V ELECTRONIC IGNITION
ANSI Z21.97-(2017) / CSA 2.41-(2017)



Match Lit Unit Includes: Pan, Burner, Gas Orifice, Gas Hoses, Key Valve, Key,
110v Ignition Unit Includes: Pan, Burner, Gas Orifice, Gas Hoses, Key Valve, Key, Plug & Play Electronic Valve, Pilot Igniter.

Drawn By	Madeline S.
Date Created	October 14, 2022