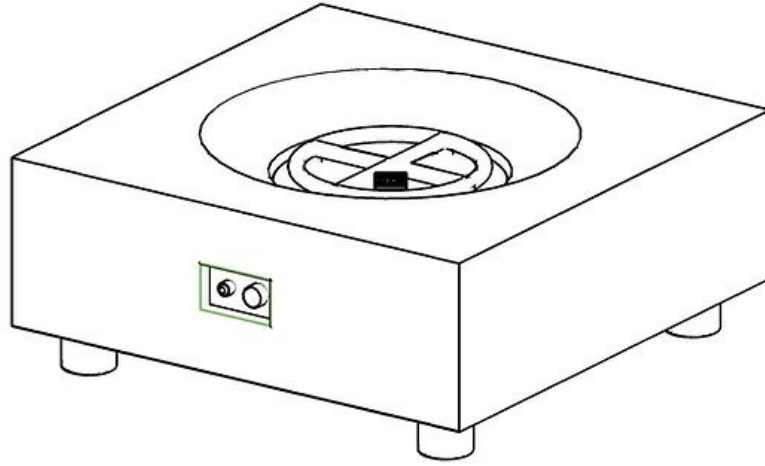


TAO



BODY SPECIFICATIONS

Material: Fiberglass reinforced concrete
Available colors: Slate grey, Charcoal grey

BURNER SPECIFICATIONS

Certification: CSA listed
Heat Output: 60,000 BTU
Material: 304 stainless steel
Fuel Type: Natural gas, propane
Ignition: Push button flame sensing. (12V DC battery)

WEIGHT

144 lbs

OPTIONAL ACCESSORIES

Aluminum legs
All weather cover: COV-TA
Aluminum burner cover: ABC-31R
Glass wind guard: GWS-30R
Propane tank cover
Fire media

Some of these accessories might be included with the purchase of the fire table.
Please contact the retailer for more info.

