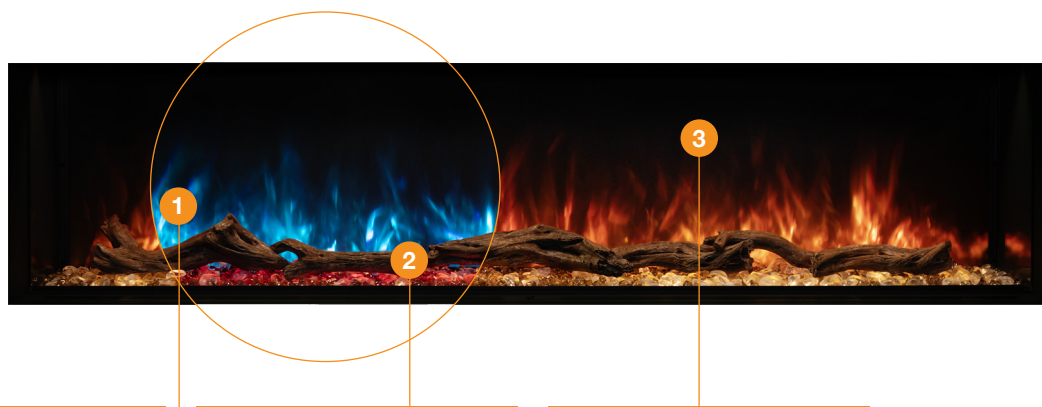


Switch



Switch design features

Multiple configurations (Single Side, Bay, Left Corner & Right Corner) in various sizes.



1. Natural flame appearance

Features state-of-the art Switch FX technology. Natural looking, multi-dimensional, multi-color flickering flames. Full, high-intensity RGB color wheel enables endless color choices. Full color spectrum for downlighting and media bed lighting, with multiple settings easily operated via slide control.

Trans-seasonal

Heat or no heat. Flame- and light-only for ambient illumination during warmer months; quick, effective room heating for cooler months.

Eco-friendly

Zero-emission heat source, no harmful smoke or greenhouse gases. No gas lines or venting required.

Energy efficient

No heat is lost up a chimney or vent. Long-life LED lamps consume the same energy as a lightbulb. Lower operational costs.

2. Modern aesthetics

Sleek, clean-lined style for various fireplace designs: wall-mounted, flush, or partial recess. Two types of media included: clear and smoke acrylic stone, and hand-painted canyon driftwood log set for a more authentic fireplace appearance.

Design & installation freedom

Vent-free, self contained, zero-clearance design for limitless installation versatility. Easily installed in indoor or outdoor* spaces – homes, apartments, condos, townhouses, hospitality and commercial premises. Frame into wood or metal studs, into partial or non-load-bearing walls.

*approved for outdoor installation under a patio cover or overhang, and not directly exposed to the elements.

Safe alternative

Cool to touch with heat ON or OFF. Ideal for residential, hospitality and other commercial spaces.

3. Built to last

Crafted from durable black, satin powder-coated mild steel. LED lighting.

Easy to use

Comes with full-feature remote control and optional wireless wall mounted control. Easily adjust the look of the fireplace, from the flame pattern, color, accent lighting, to the heat output - all at the touch of a button.

Optional sizes

Comes in six sizes: from compact fireplaces with a smaller footprint, to linear fires with elongated flames. Sizes are: 44", 56", 68", 80", 96" and 120".

Included Accessories



Canyon Driftwood Logs Set

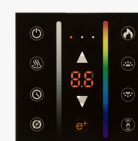


Decorative Media



Remote Control

Optional Accessories



Wall Mount Touch Control

Disclaimer. All product specifications and data are subject to change without notice and believed to be correct at the time of publication. MAD Design Group (MDG), its affiliates, agents, and employees, and all persons acting on its or their behalf (collectively, "MAD Design Group"), disclaim any and all liability for any errors, inaccuracies or incompleteness contained herein or in any other disclosure relating to any product. MDG disclaims any and all liability arising out of the use or application of any product described herein or of any information provided herein to the maximum extent permitted by law. The product specifications do not expand or otherwise modify MDG's terms and conditions of purchase, including but not limited to the warranty expressed therein, which apply to these products. No license, express or implied, by estoppel or otherwise, to any intellectual property rights is granted by this document or by any conduct of MDG. Customers using or selling MDG products not expressly indicated for use in such applications do so entirely at their own risk and agree to fully indemnify MDG for any damages arising or resulting from such use or sale. Please contact authorized personnel from MDG to obtain written terms and conditions regarding products designed for such applications. Images are indicative only.

Switch 44 Specifications

Technical Specifications

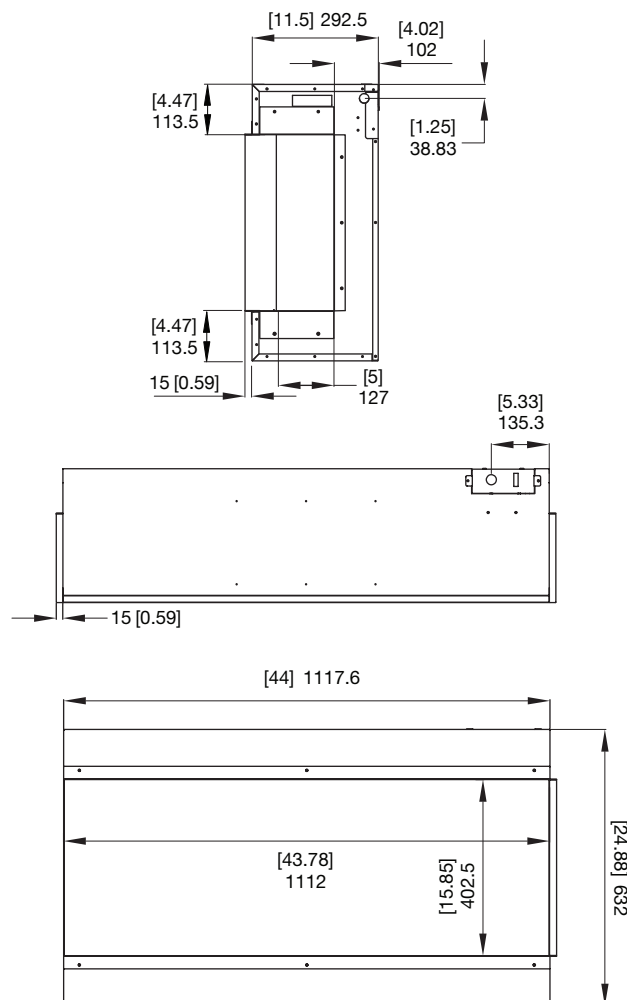


Volts / Amps	LED Lamps (No heat)	High Heat		Heats on Average		Viewing Area Size	Minimum Wall Length
		(120V)	(240V)	(120V)	(240V)		
120V / 13A / 60Hz 240V / 13A / 60Hz	42 Watts	1,500W 5,000 BTU/h	3,000W 10,000 BTU/h	[300 ft ²] 27.9m ²	[600 ft ²] 55.8m ²	[43.78in] 1112mm	[44in] 1117.6mm

Construction

Application	Indoor & Outdoor*
Surround Colour	Black US.ESF.1.SW.44SS
Materials	Mild Steel with Satin Powder-coat, Toughened Glass
Weight	Approx. 54.5kg [120lbs]
Type	Electric

*Approved for outdoor installation under a patio cover or overhang, and not directly exposed to the elements.



Measurements include screw heads where applicable. Physical model dimensions should be verified against cut out dimensions BEFORE installation begins to confirm tolerances align.

FOR MORE INFORMATION PLEASE REFERENCE THE CLEARANCE & INSTALLATION MANUAL

Disclaimer. All product specifications and data are subject to change without notice and believed to be correct at the time of publication. MAD Design Group (MDG), its affiliates, agents, and employees, and all persons acting on its or their behalf (collectively, "MAD Design Group"), disclaim any and all liability for any errors, inaccuracies or incompleteness contained herein or in any other disclosure relating to any product. MDG disclaims any and all liability arising out of the use or application of any product described herein or of any information provided herein to the maximum extent permitted by law. The product specifications do not expand or otherwise modify MDG's terms and conditions of purchase, including but not limited to the warranty expressed therein, which apply to these products. No license, express or implied, by estoppel or otherwise, to any intellectual property rights is granted by this document or by any conduct of MDG. Customers using or selling MDG products not expressly indicated for use in such applications do so entirely at their own risk and agree to fully indemnify MDG for any damages arising or resulting from such use or sale. Please contact authorized personnel from MDG to obtain written terms and conditions regarding products designed for such applications. Images are indicative only.