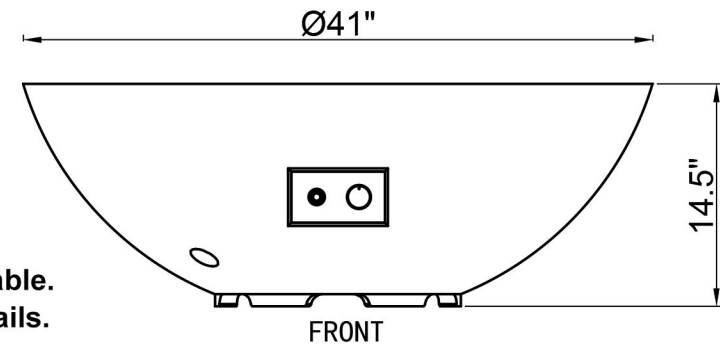
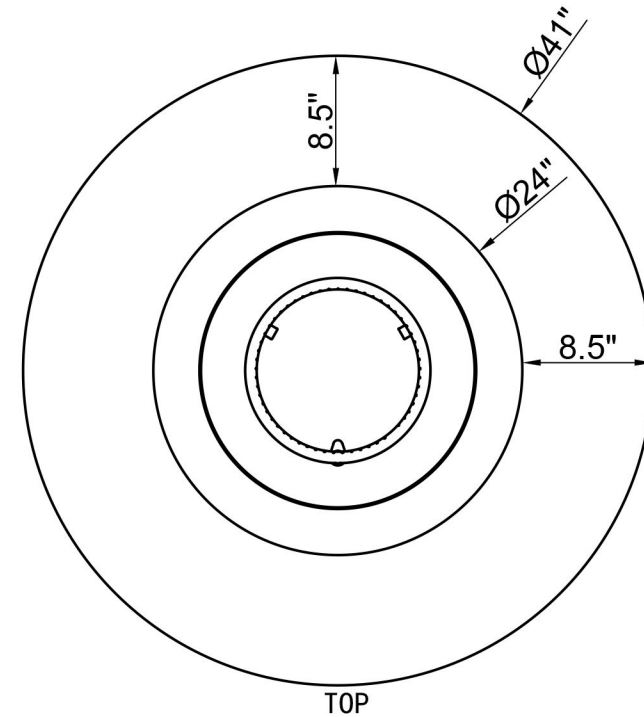
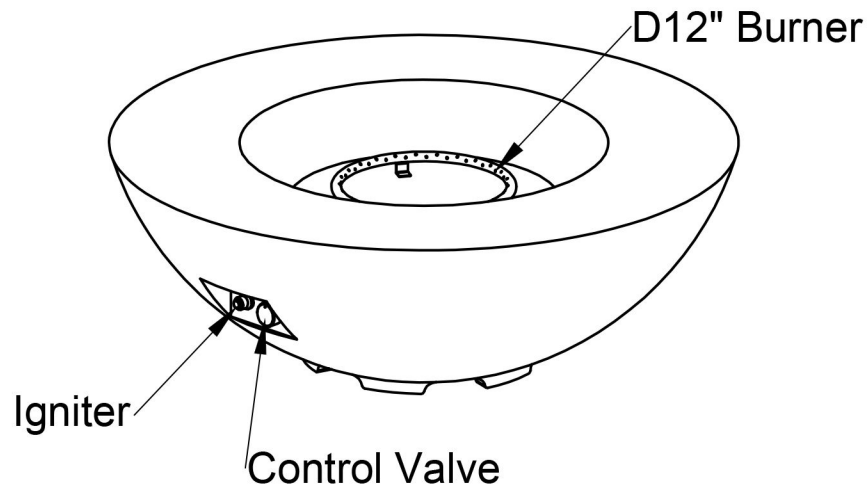


SHANGRI-LA



BODY SPECIFICATIONS

Material: Glassfiber Reinforced Concrete
Available Colors: Slate Gray, Charcoal Gray

BURNER SPECIFICATIONS

Certification: CSA listed
Heat Output: 50,000 BTU
Material: 304 Stainless Steel
Fuel Type: Natural Gas, Propane
Ignition Type: Push Button Flame Sensing\
(1.5V DC battery)

WEIGHT

112 lbs

ACCESSORIES

Canvas Cover: COV-SH
10' hose for NG or LP connection
Fire Media: Lava rocks, Beach pebbles
Black fire glass or Blue fire glass
Glass Wind Guard: GWS-25R
Burner Cover: ABC-25R or ABC-31R
Propane Tank Cover: Introvurt or Hermit

Some of these accessories might be included with the purchase of the fire table. Please contact the retailer for more details.

