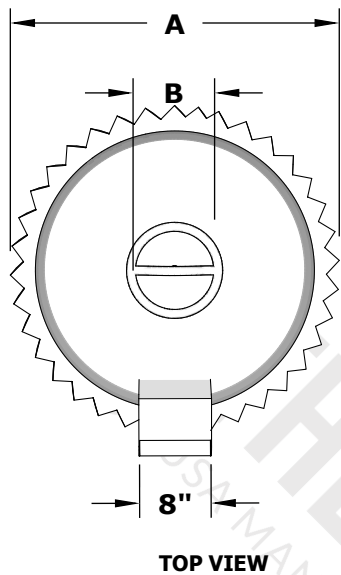
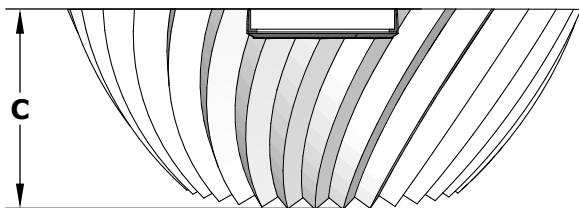


Sedona 2.0 Fire Water Bowl

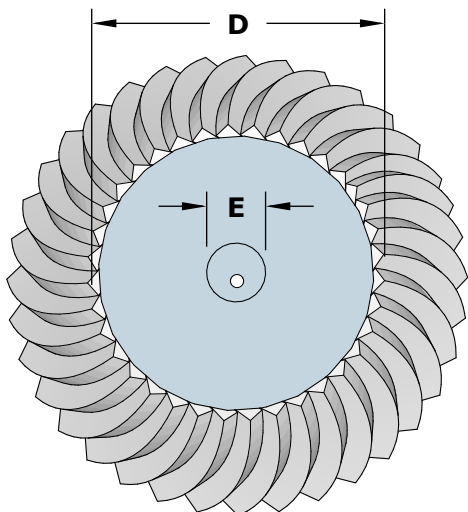
GFRC Concrete



TOP VIEW



FRONT SIDE VIEW



BOTTOM VIEW

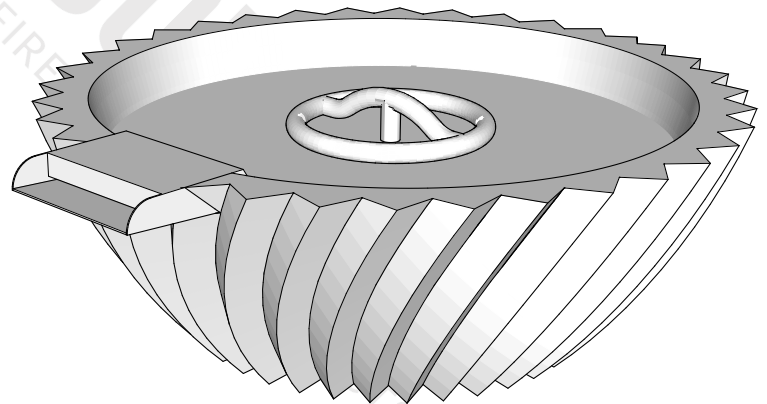
SPECIFICATION

PART NUMBER	A	B	C	D	E
OPT-SED228FW	28"	8"	9"	14"	3"
OPT-SED228FWE12V	28"	8"	9"	14"	3"



Match Lit Unit Includes: Pan, Burner, Gas Orifice, Gas Hoses

12v Ignition Unit Includes: Pan, Burner, Gas Orifice, Gas Hoses, Low Voltage Electronic Valve, Pilot Igniter.



ISOMETRIC VIEW

Drawn By	Daniel M
Date Created	February 21, 2024