

Rectangle Glass Wind Guard Installation Instructions

SKUs: GWS-4515/GWS-4919

Package Contents - Parts List:

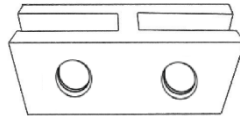
2x Short Glass Panels



4x Long Glass Panels



4x Straight Brackets



4x Top Corner Brackets & 4x Bottom Corner Brackets



24x Set-Screws



24x Silicone Inserts pads for set screws



Rectangle Glass Wind Guard Installation Instructions

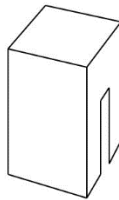
SKUs: GWS-4515/GWS-4919

Package Contents - Parts List 2:

4X Aluminum Alloy Non-slip Foot



4x Aluminum Rectangle Bottom Support Foot



4x Machine Screws



What is Required:

- Phillips Screwdriver (Hand tools ONLY, do NOT use power tools for assembly)
- Soft leather gloves for handling glass panels
- Soft non-abrasive, sturdy and flat surface for assembly to prevent damage
- 2 people are recommended for assembly and installation





Rectangle Glass Wind Guard Installation Instructions

SKUs: GWS-4515/GWS-4919

Before You Begin:

Before beginning assembly, make sure all parts are present. Carefully remove the wind guard from the packaging and inspect for any damage such as chips or cracks. Place glass panels on a flat surface, grouped together by type of part and compare parts received with the "Package Contents - Parts List." If any part is missing or damaged, do NOT attempt to assemble the product. Please read and understand this entire installation instructions before attempting to assemble, operate or install this product. If you have any questions regarding the product, please contact Pyromania Inc. customer service.

Rectangle Glass Wind Guard Installation Instructions

SKUs: GWS-4515/GWS-4919



WARNING: Do not assemble the wind guard without the silicone inserts on end of each set-screw. Glass could crack or break without it. Warranty does not cover glass breakage during the assembly process.



Installation:

Step 1: Ensure that each Top and Bottom corner bracket has 2 set-screws in them with the silicone insert pads attached to the back side before installation. Then, slide a short glass panel and a long glass panel into the top corner bracket. Align the bracket with the lower (top) edges of each glass panel. The glass should be flush with the bottom of the bracket. Make sure that silicone inserts pads backing remains in place on all set-screws to prevent cracking or shattering the glass. Carefully tighten set-screws until snug.

Silicon Insert
Ensure silicone pads are in place

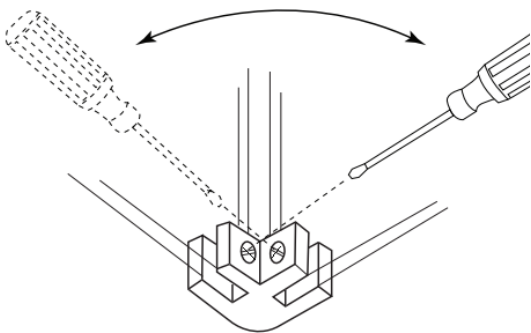
Set Screw

Flush

**TOP
Bracket**

Top Corner Bracket

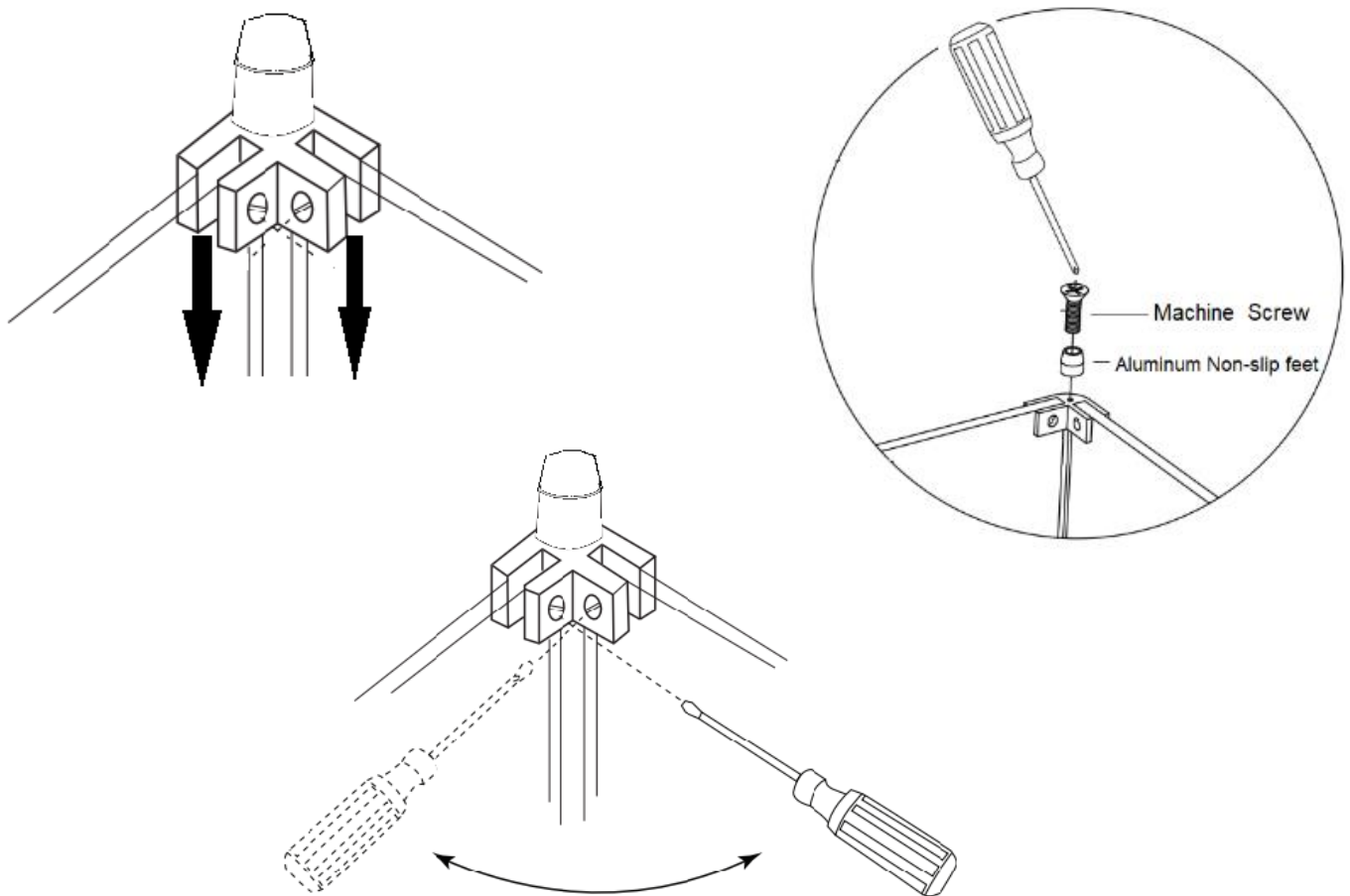
**Assemble
Upside Down**



Rectangle Glass Wind Guard Installation Instructions

SKUs: GWS-4515/GWS-4919

Step 2: Now, carefully slide Bottom Bracket onto each panel joint, with aluminum non-slip foot pointed up. Ensure the Aluminum Non-slip Foot to the bracket with the machine screw provided. Position the bottom edge of the metal bracket flush with the edge of the glass panels, adjusted so the aluminum foot will hold the assembled guard slightly off the table surface when placed upright. Check that the silicone screw pads are in place, then secure both set-screws, making sure not to over-tighten.



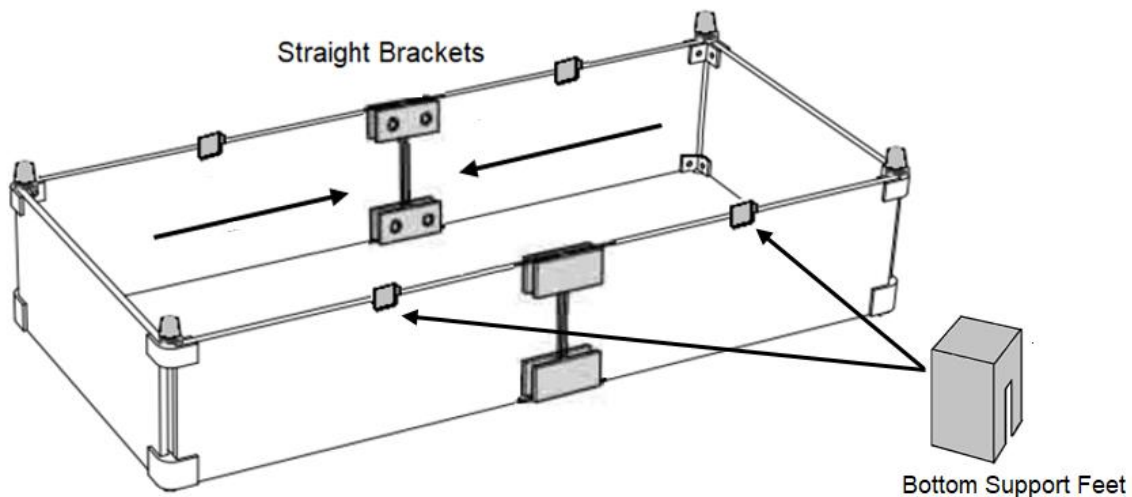
Tightening bottom bracket set-screws.

Rectangle Glass Wind Guard Installation Instructions

SKUs: GWS-4515/GWS-4919

Step 3: This is a long extended windguard, so you will need to use straight brackets to continue the installation. Again, make sure that each straight bracket has 2 set-screws in them with the silicone insert pads attached to the back side before installation (Refer Step 1). Now, continue joining other long glass panel to the one already installed with the straight brackets and slide them together (as on the bottom picture). Snug the set-screws into place.

By the same procedure as in **Step 1 & 2**, assemble the other short glass panel with the two long glass panels remained until all six panels are in place to form a rectangle and all twelve (12) brackets (top, bottom and straight brackets) are securing the wind guard into place. Install the two (2) rectangle bottom support foot about 1 inch away from each side of the bottom straight bracket on both sides of the windguard. Gently finish securing all screws (on all brackets) $\frac{1}{4}$ " to $\frac{1}{2}$ " turn until panels are secure. DO NOT OVERTIGHTEN.

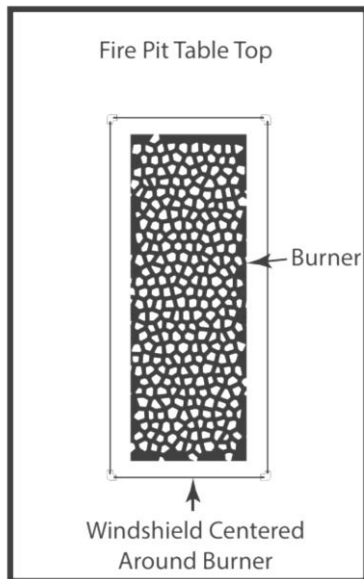
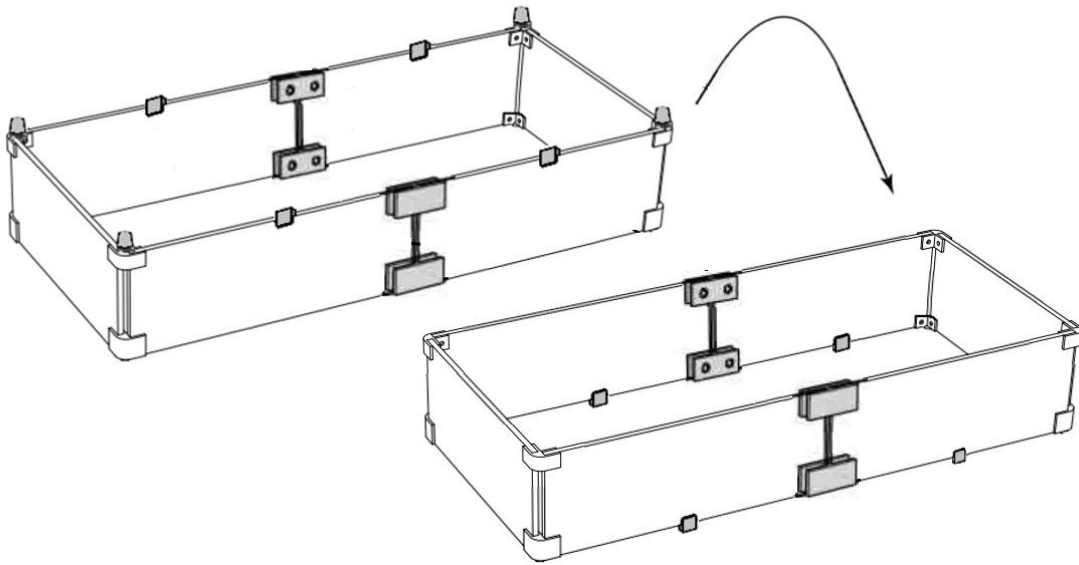


HINT: If you are installing the straight brackets on long extended wind guards, install one short panel with two long panels. Then assemble the other short panel with two long panels and slide them together as shown in this figure. Snug the set-screws into place.

Rectangle Glass Wind Guard Installation Instructions

SKUs: GWS-4515/GWS-4919

Step 4: After all twelve (12) brackets are secured to the windguard carefully turnover the entire assembly right-side up (Aluminum Alloy Non-slip Foot & Bottom Support Foot at the bottom) and place the windguard over-top of your fire pit centering around the burner it into place Installation is now complete.



Windshield installed (top view)

****Note: Be sure to use the correct size Wind Guard for your fire appliance to ensure proper operation and flame appearance.****

Rectangle Glass Wind Guard Installation Instructions

SKUs: GWS-4515/GWS-4919

Care and Cleaning



- Clean the glass periodically to remove any build-ups caused by the elements and combustion. It is recommended that the glass be cleaned 2-3 times during each heating season, depending on use and environmental conditions.
- Clean using a non-abrasive glass cleaner and a clean lint-free cloth.
- Never Attempt to clean the glass while hot.
- DO NOT touch the glass while in operation or within 10 minutes following use.