



OWNER'S MANUAL  
**HAMMERED BRONZE  
GAS PATIO HEATER**

MANUAL DEL USUARIO  
**CALEFACTOR COLOR  
BRONCE MARTILLADO  
PARA PATIO A GAS**

PHG8732BZ

FOR OUTDOOR USE ONLY | SOLO PARA USO EXTERIOR



## TIME WELL SPENT

Here at Blue Sky Outdoor Living, we believe in the value and benefits of spending time in nature. Our products are designed for your home's backyard, on the patio, camping, at the beach, or tailgating at your favorite sporting event.

You can rely on Blue Sky Outdoor Living to deliver durable, easy to use products that will enhance your next backyard, outdoor gathering or adventure.

Connect with us @blueskyoutdoorliving



Fill in the following information and retain this manual for future reference:

MODEL(S): \_\_\_\_\_

DATE OF PURCHASE: \_\_\_\_\_

PLACE OF PURCHASE: \_\_\_\_\_

RECEIPT NO: \_\_\_\_\_

**Part Number:** PHG8732BZ (Hammered Bronze)

**Dimensions:** 32" Dia. x 87" H (81.3 cm Dia. x 221 cm H)

# FOR YOUR SAFETY

PLEASE READ AND UNDERSTAND THIS ENTIRE MANUAL BEFORE ASSEMBLING, USING OR SERVICING THIS GAS PATIO HEATER.

FAILURE TO COMPLY WITH THE PRECAUTIONS AND INSTRUCTIONS PROVIDED WITH THIS HEATER CAN RESULT IN DEATH, SERIOUS BODILY INJURY AND PROPERTY DAMAGE FROM FIRE, EXPLOSION, BURNS, ASPHYXIATION, AND/OR CARBON MONOXIDE POISONING.

ONLY PERSONS WHO CAN UNDERSTAND AND FOLLOW THESE INSTRUCTIONS SHOULD USE OR SERVICE THIS HEATER. KEEP THIS MANUAL FOR FUTURE REFERENCE.

## DANGER

Improper installation, adjustment, alteration, service or maintenance can cause property damage, injury or death. Read the installation, operation and maintenance instructions thoroughly before installing or servicing this equipment.

## DANGER

### IF YOU SMELL GAS:

- Shut off gas to the appliance.
- Extinguish any open flame.
- If odor continues, keep away from the appliance and immediately call your gas supplier or fire department.

## DANGER

Do not store or use gasoline or other flammable vapors and liquids in the vicinity of this or any other appliance. An LP-cylinder not connected for use should not be stored in the vicinity of this or any other appliance.



## **DANGER: CARBON MONOXIDE HAZARD**

**FOR OUTDOOR USE ONLY!**

**THIS APPLIANCE CAN PRODUCE CARBON MONOXIDE, WHICH HAS NO ODOR AND CONSUMES OXYGEN.**

**USING THIS HEATER IN AN ENCLOSED SPACE CAN LEAD TO SERIOUS INJURY OR DEATH.**

**NEVER USE THIS APPLIANCE IN AN ENCLOSED SPACE SUCH AS A CAMPER, TENT, CAR, HOME, FOUR-SEASONS ROOM, GARAGE OR OTHER ENCLOSED OR UNVENTILATED AREA.**

**DO NOT BLOCK AIR FLOW INTO OR OUT OF THE HEATER.**

This heater is a combustion appliance. All combustion appliances produce carbon monoxide (CO) during the combustion process. This product is designed to produce extremely minute, non-hazardous amounts of CO if used and maintained in accordance with all warnings and instructions.

Carbon Monoxide (CO) poisoning produces flu-like symptoms, watery eyes, headaches, dizziness, fatigue and possibly death. You can't see it and you can't smell it. It's an invisible killer. If these symptoms are present during operation of this product, get fresh air immediately!

 **DANGER: EXPLOSION AND FIRE HAZARD**

During operation, this product can be a source of ignition. This heater is red hot during use and can ignite flammables too close to the burner. Minimum heater clearances from combustible materials: 3' (1 m) from the sides and 3' (1 m) from the top.

Keep solid combustibles, such as building materials, paper or cardboard, a safe distance away from the heater.

Provide adequate clearances around air openings into the combustion chamber.

Never use this heater in spaces which do or may contain volatile or airborne combustibles, or products such as gasoline, solvents, paint thinner, dust particles, unknown chemicals or other flammable vapors and liquids.

Do not use this heater in areas with high dust content.

# PROPANE SAFETY

## WARNING

Fuels used in liquefied propane gas appliances, and the combustion products of such fuels, can expose you to chemicals such as benzene, which is known to the State of California to cause cancer, birth defects or other reproductive harm.

For more information go to: [www.P65Warnings.ca.gov](http://www.P65Warnings.ca.gov).

- This product is fueled by propane gas. Propane gas is invisible, odorless and flammable. An odorant is normally added to help detect leaks and can be described as a “rotten egg” smell. The odorant can fade over time so leaking gas is not always detectable by smell alone.
- Never use or store propane near high heat, open flames, pilot lights, direct sunlight, other ignition sources or where temperatures exceed 120°F (49°C).
- Propane gas vapors are heavier than air and can accumulate in low places. It can be ignited by ignition sources such as matches, lighters, sparks, lit cigarettes/cigars or open flames of any kind, even those many feet away from the original leak. If you smell gas, leave the area immediately.
- The propane cylinder must be constructed and marked in accordance with the specifications for LP gas cylinders of the U.S. Department of Transportation (in the United States) or the standard for cylinders, spheres and tubes for transportation of dangerous goods and commission, CAN/CSA-B339 (in Canada). Never connect an unregulated propane cylinder to the heater.
- The cylinder must have a connection device compatible with the connection for this appliance.
- The cylinder used must include a collar to protect the cylinder valve.
- The cylinder must have a listed overfilling prevention device.
- Never fill the propane cylinder beyond 80 percent full.

- Never install or remove the propane cylinder while the heater is lit, near flame, pilot lights or other ignition sources, or while the heater is hot to touch.
- A dented, rusted or damaged propane cylinder may be hazardous and should be checked by your cylinder supplier. Never use a propane cylinder with a damaged valve connection.
- Store or use propane gas in compliance with local ordinances and codes or with ANS/NFPA 58. Turn off propane when not in use.
- Store the propane cylinder outdoors in a well ventilated space out of reach of children. Never store the propane cylinder in an enclosed area such as a house, garage, etc. If you are storing the patio heater indoors, disconnect the propane cylinder and store it separately outdoors.
- Place the dust cap on the propane cylinder valve outlet whenever the cylinder is not in use. Only install the type of dust cap on the cylinder valve that is provided with the cylinder valve. Other types of caps or plugs may result in propane leakage.
- For more information, see chapter 5 of the standard for storage and handling of liquefied petroleum gas, ANS/NFPA 58. Your local library or fire department should have this book.

## **RULES FOR SAFE OPERATION**

- Never leave the heater unattended when hot or in use.
- Keep out of reach of children. Carefully supervise young children when they are in the vicinity of the heater.
- Alert children and adults to the hazards of high surface temperatures. Stay away from these surfaces to avoid burning skin or igniting clothing.
- Materials or items stored under the heater will be subjected to radiant heat and could be seriously damaged.
- Do not hang clothing or any other flammable materials from the heater, or place on or near the heater.

- Keep all connections and fittings clean. Make sure the propane cylinder valve outlet is clean and the cylinder cover is clear of debris.
- Use as a heating appliance only. Never alter in any way or use with any other device.
- Do not operate this heater in conditions where the wind velocity is above 10 mph (16 kph).
- This heater will operate at reduced efficiency below 40°F (5 °C).
- Do not operate this heater near windows, air intake openings, sprinklers and other water sources.
- Keep this heater on a hard and level surface.
- Before each use, inspect the hose assembly for evidence of excessive abrasion, cuts or wear. Suspected areas should be leak tested. If the hose leaks, it must be replaced prior to operation. Only use the replacement hose assembly specified by manufacturer.
- If relighting a hot heater, always wait at least 5 minutes.
- Do NOT touch or move the heater for at least 45 minutes after use. The reflector is hot to the touch. Allow reflector to cool before touching.
- It is very important that the control compartment, burner and circulating air passageways of the heater be kept clean. More frequent cleaning may be required as necessary.
- Spiders and insects can nest in burner or orifices, which can damage the heater and render it unsafe for use.
- Carbon deposits may create a fire hazard. See the Care and Maintenance section for cleaning instructions.
- Installation and repair should be done by a qualified service person. The heater should be inspected before use and annually by a qualified service person. Make sure the heater is cool before servicing.
- Replace any guard or protective device removed for servicing the appliance prior to placing back in service.



- This product contains sharp edges on the panels, cylinder housing and handle. Please assemble with care.
- Nails must be used to secure this heater into the ground. Nails are not included.

## NOTES

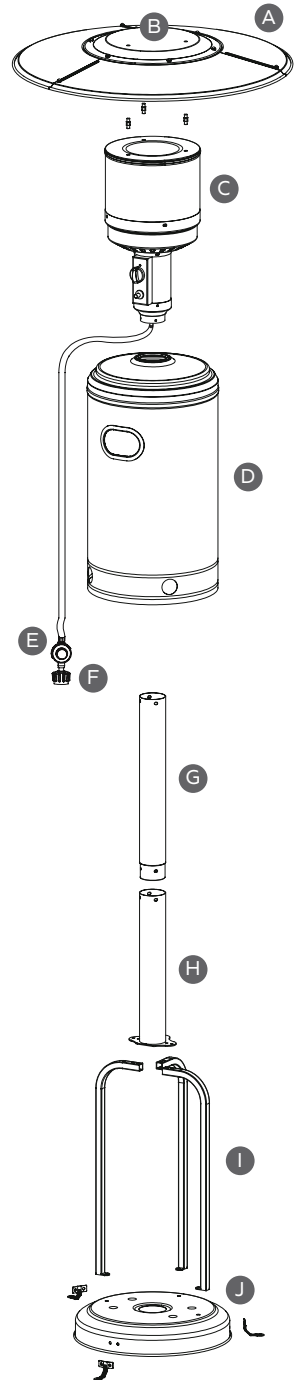
- We cannot foresee every use which may be made of our heaters.
- Check with your local fire safety authority if you have questions about heater use.
- Other standards govern the use of fuel gases and heat producing products for specific uses. Your local authorities can advise you about these. In the United States, the installation must conform with local codes, or in the absence of local codes, follow National Fuel Gas Code ANS Z223.1/ NFPA54. In Canada, the installation must confirm to local codes. If no local codes exist, follow the current National Standards of Canada CAN/ CGA-B149.2.
- Every part of the heater shall be secure against displacement and shall be constructed to maintain a fixed relationship between essential parts under normal and reasonable conditions of handling and usage. Parts not permanently secured shall be designed so they cannot be incorrectly assembled and cannot be improperly located or misaligned in removing or replacing during cleaning or other servicing.

# PARTS LIST

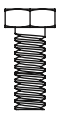
UNPACK PARTS, MAKING SURE ALL PIECES ARE PRESENT BEFORE ATTEMPTING TO ASSEMBLE.

If any part is missing or damaged, do not attempt to assemble the product. Contact us by email at [service@blueskyoutdoorliving.com](mailto:service@blueskyoutdoorliving.com) or call 1-800-459-4409 (Monday–Friday, 8:00 am–4:30 pm, CST) for replacement parts.

REF	QTY	DESCRIPTION
A	3	Reflector Panel
B	1	Reflector Plate
C	1	Head Assembly
D	1	Cylinder Housing
E	1	Gas Hose
F	1	Regulator
G	1	Upper Pole
H	1	Lower Pole
I	3	Support Bracket
J	1	Base



REF	QTY	DESCRIPTION
AA	3	M8 x 16 Bolt
BB	6	M6 Flange Nut
CC	4	Stainless Steel Bolt
DD	6	M6 x 30 Bolt
EE	3	Reflector Spacer
FF	9	8 mm Washer
GG	15	6 mm Washer
HH	9	M6 x 10 Screw
II	9	Cap Nut
JJ	3	Wing Nut
KK	4	3/16" Screw
LL	3	Ground Fixtures
MM	6	M6 x 10 Bolt
NN	6	M6 Nut
OO	1	Wrench



AA



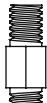
BB



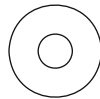
CC



DD



EE



FF



GG



HH



II



JJ



KK



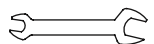
LL



MM



NN



OO

# ASSEMBLY

## ⚠ WARNING

This product contains sharp edges. Please assemble with care.

Estimated Assembly Time: 60 minutes

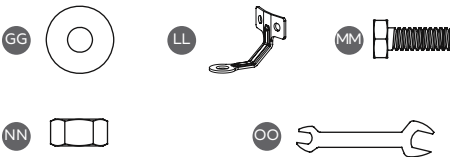
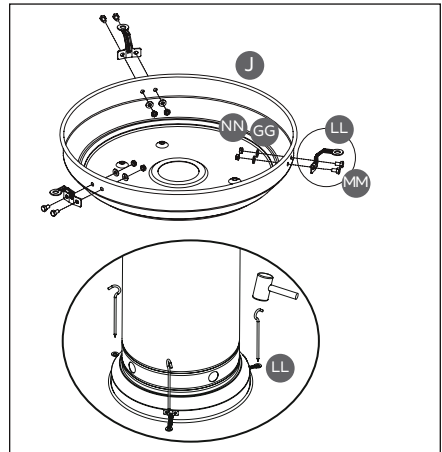
Tools Required for Assembly (not included):

- Phillips screwdriver with medium blade
- Leak detection solution (described later in the instructions)

### STEP 1

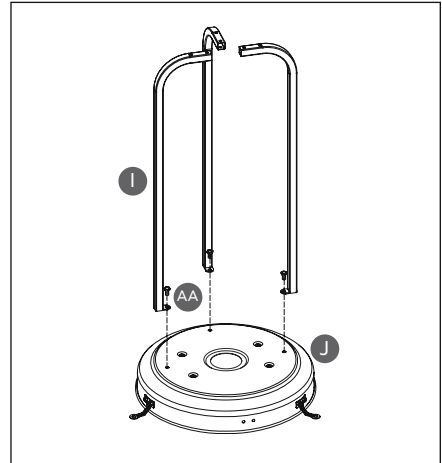
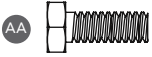
NOTE: Fastening hardware to secure this heater to a flat surface are not included. Consult your local hardware dealer for advice on the proper fasteners needed to secure your heater.

Flip the base [J] over. Attach the ground fixtures [LL] to the base using two M6 x 10 bolts [MM], two 6 mm washers [GG] and two M6 nuts [NN]. Turn the base upright.



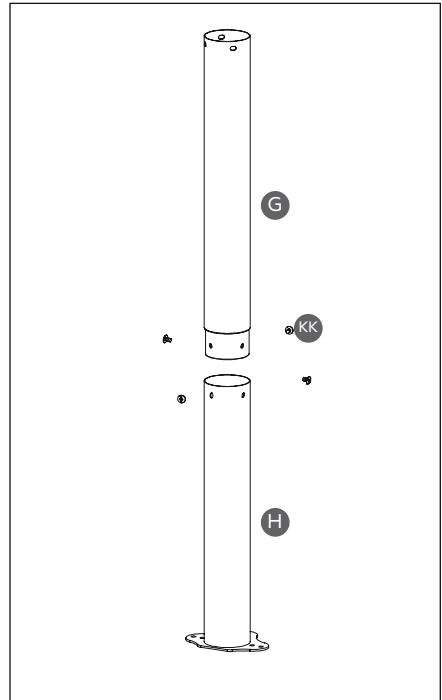
## STEP 2

To attach the three support brackets [I] to the base [J], loosely insert three M8 x 16 bolts [AA] downward through the support brackets and into the base.



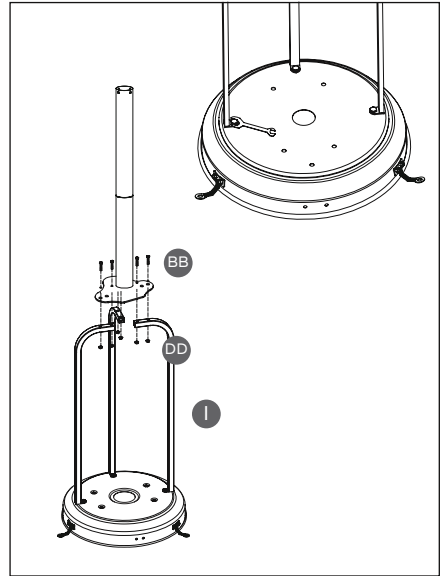
## STEP 3

Insert the upper pole [G] into the lower pole [H]. The warning label on the upper pole should be on the same side as the flat plate on the lower pole. Use four 3/16" screws [KK] to firmly secure the two poles together.



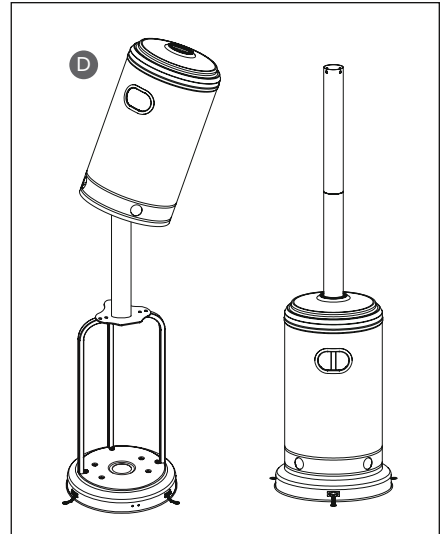
## STEP 4

Attach the assembled pole to the three support brackets [I] using six M6 x 30 bolts [DD] and M6 flange nuts [BB]. Fully tighten.



## STEP 5

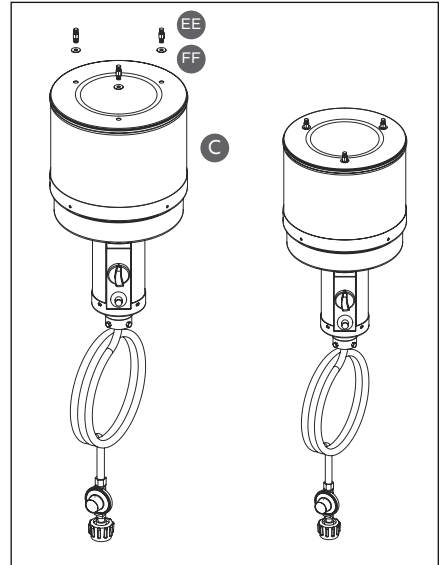
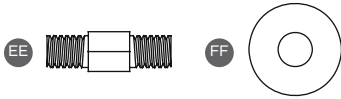
Slide the cylinder housing [D] over the assembled pole and all the way down over the support brackets [I].



## STEP 6

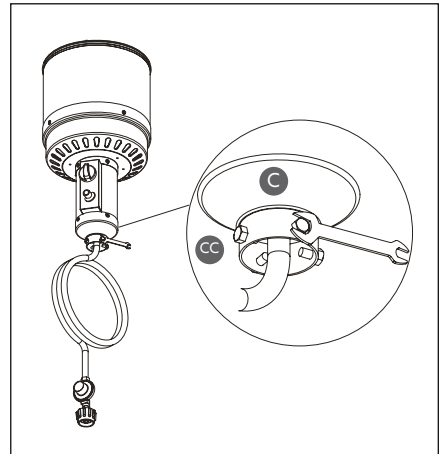
Place one 8 mm washer [FF] over a hole in the top of the head assembly [C]. Screw one reflector spacer [EE] through the washer and into the top of the head assembly. Tighten.

Repeat the same steps with the other two 8 mm washers and reflector spacers. Tighten.



## STEP 7

Unscrew the stainless steel bolts [CC] from the head assembly [C].



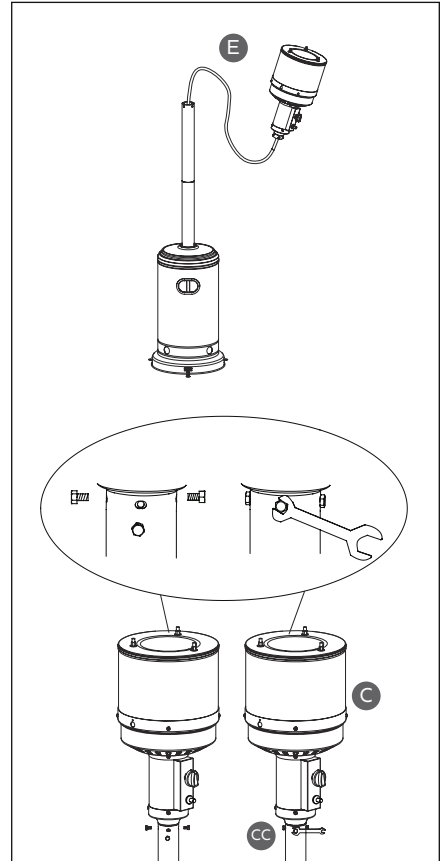
## STEP 8

Insert the gas hose [E] into the pole, then insert the head assembly [C] into the pole.

Attach the head assembly to the pole using the stainless steel bolts [CC], which were removed in step 7.

NOTE: The control knob on the head assembly should be above the decal on pole.

When applicable, visually check portions of the hose assembly located within the confines of the heater post.





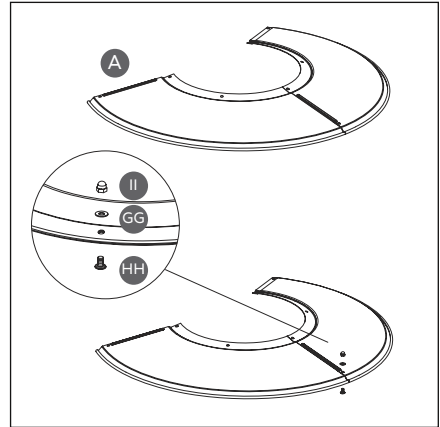
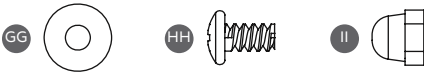
## STEP 9

### WARNING

Remove the protective film before assembling.

Secure all fastening hardware loosely and tighten when reflector assembly is properly aligned.

Slide two reflector panels [A] together. Insert one M6 x 10 screw [HH] into the reflector panels. Slide one 6 mm washer [GG] over the threaded end of the screw, then screw on one cap nut [II].



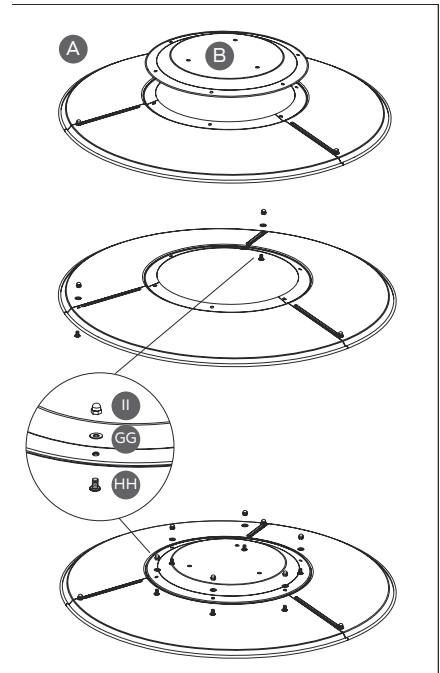
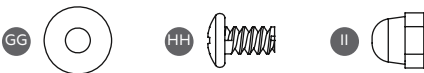
## STEP 10

Put the reflector plate [B] in the center of reflector panels.

Slide in the third reflector panel [A]. Insert one M6 x 10 screw [HH] into each reflector panel. Slide a 6 mm washer [GG] over the threaded end of each screw, then loosely screw on a cap nut [II].

Attach the reflector plate to the three reflector panels using six M6 x 10 screws [HH], 6 mm washers [GG] and cap nuts [II].

Fully tighten all screws.



## STEP 11

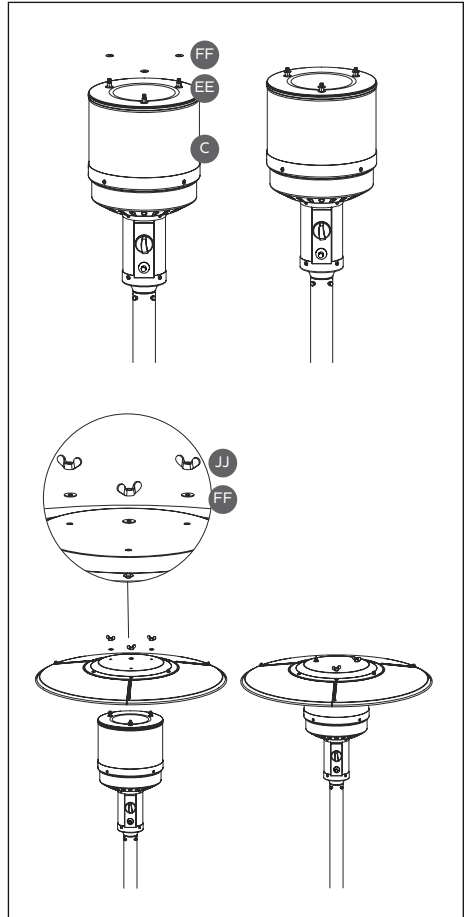
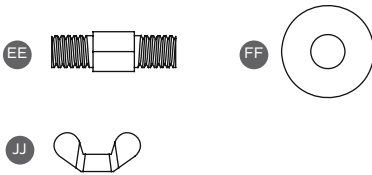
Slide one 8 mm washer [FF] over each of the exposed ends of the reflector spacers [EE], which are sticking out of the head assembly [C].

Place the reflector assembly on the three spacers.

Slide one 8 mm washer over each of the exposed ends of the reflector spacers, which are sticking through the top of the reflector assembly.

Then securely tighten a wing nut [JJ] to each of the threaded ends of the reflector spacers.

Do not overtighten.



## STEP 12

Before connecting your propane cylinder, please read these important instructions.

- The propane gas and cylinder are sold separately. Use a standard 20 lb. propane cylinder only – approximately 12.2" (31 cm) in diameter and 17.9" (45.5 cm) high.
- Use only propane gas set up for vapor withdrawal.
- The maximum inlet gas supply pressure: 250 psi/1750 kPa. The minimum inlet gas supply pressure: 25 psi /175 kPa. Manifold pressure with regulator provided: 11 inch W.C./2.74 kPa. The pressure regulator and hose assembly supplied with the appliance must be used.
- The propane cylinder must be constructed and marked in accordance with the specifications for LP gas cylinders of the U.S. Department of Transportation (in the United States) or the standard for cylinders, spheres and tubes for transportation of dangerous goods and commission, CAN/CSA-B339 (in Canada). Never connect an unregulated propane cylinder to the heater.
- The cylinder must have a connection device compatible with the connection for this appliance.
- The cylinder used must include a collar to protect the cylinder valve.
- The cylinder must have a listed overfilling prevention device.
- Never fill the propane cylinder beyond 80 percent full.
- Never install or remove the propane cylinder while heater is lit, near flame, pilot lights or other ignition sources, or while heater is hot to touch.
- A dented, rusted or damaged propane cylinder may be hazardous and should be checked by your cylinder supplier. Never use a propane cylinder with a damaged valve connection.
- For more information, see chapter 5 of the standard for storage and handling of liquefied petroleum gas, ANS/NFPA 58. Your local library or fire department should have this book.

Make sure that the knob on the LP tank is closed and turned clockwise to a full stop. The cylinder supply system must be arranged for vapor withdrawal. Check that the control knob on the control unit is turned off.

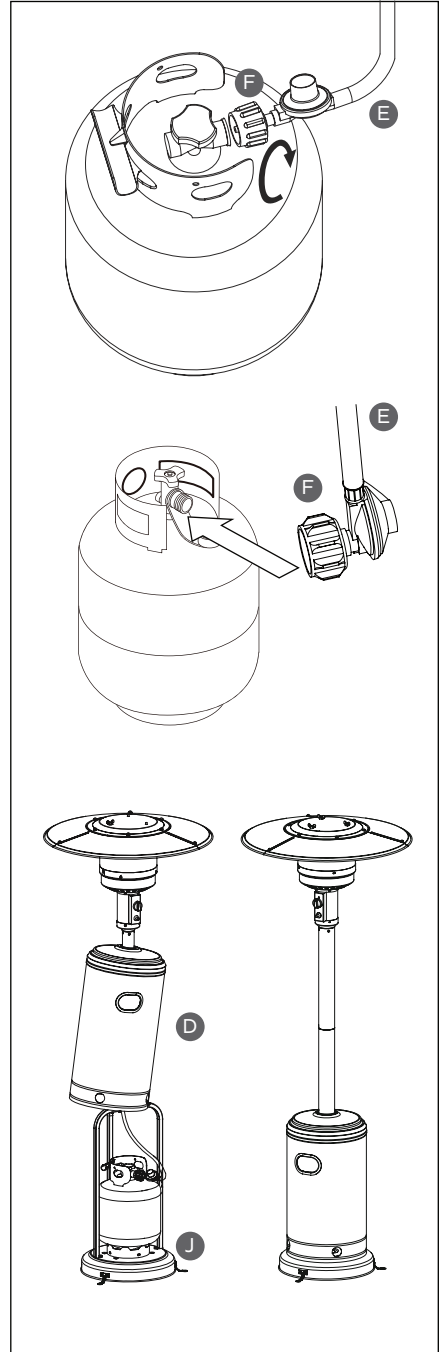
Hold the gas hose [E] and regulator [F] in one hand and insert the nipple into the valve outlet. Be sure the nipple is centered in the valve outlet. The coupling nut connects to the large outside threads on the valve outlet. Hand-tighten the coupling nut clockwise until it comes to a full stop. Firmly tighten by hand only. Do not cross-thread.

Carefully lower the cylinder housing [D] into place over the tank. Make sure it is sitting evenly on the base [J].

To disconnect, fully close the tank valve by turning clockwise. Turn the coupling nut counterclockwise until the gas hose and regulator detaches.

**⚠ WARNING**

Do not store a spare LP gas cylinder under or near this heater.



# OPERATION

## WARNING

**READ THE RULES FOR SAFE OPERATION SECTION AT THE BEGINNING OF THIS MANUAL BEFORE PROCEEDING.**

The following check lists should be consulted each time you use the heater. Make sure you have read through the entire Operation section before attempting to light the heater.

## PRE-OPERATION CHECK LIST

For a safe and pleasurable heating experience, perform this check list before each use.

- I am familiar with the entire owner's manual and understand all precautions noted.
- All components are properly assembled, intact and operable. No alterations have been made.
- All gas connections are secure and do not leak. I have performed the necessary leak tests described in the next section.
- The heater is placed in an appropriate outdoors location far from combustible materials and weather conditions are appropriate. I have followed all guidelines in the rules for safe operation for placement of the heater.
- There is adequate fresh air ventilation. All burner and air circulation passages are clear.

## POST-OPERATION CHECK LIST

After you have shut off the patio heater, perform this check list.

- Gas control knob is in OFF position.
- Propane cylinder valve is OFF.
- Gas hose is disconnected from the propane cylinder.

# LEAK TEST

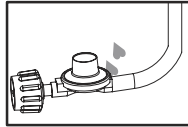
## ⚠ WARNING

Check all connections and fittings for leaks using soapy water. Never use a flame.

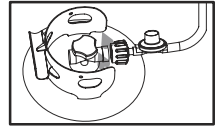
Perform all leak tests outdoors. Before performing a leak test, extinguish all open flames. NEVER leak test when smoking.

Do not use the heater until all connections have been leak tested and do not leak.

Hose/Regulator  
Connection



Regulator/Cylinder  
Connection



1. Make 2–3 oz. of leak check solution (one part liquid dishwashing detergent and three parts water).
2. Apply several drops of solution where the hose attaches to regulator.
3. Apply several drops of solution where the regulator connects to cylinder.
4. Make sure all patio heater and light valves are OFF.
5. Turn the cylinder valve ON.

IF BUBBLES APPEAR AT ANY CONNECTION, THERE IS A LEAK.

If there is a leak:

1. Turn the cylinder valve OFF.
2. If the leak is at hose/regulator connection: tighten connection and perform another leak test. If bubbles continue appearing, the hose should be returned to the place of purchase.
3. If the leak is at regulator/cylinder valve connection: disconnect, reconnect, and perform another leak check. If you continue to see bubbles after several attempts, the cylinder valve is defective and should be returned to cylinder's place of purchase.

IF NO BUBBLES APPEAR AT ANY CONNECTION, THE CONNECTIONS ARE SECURE.

NOTE: Whenever gas connections are joined, loosened or removed, you must perform a complete leak test.

## LIGHTING

### **⚠ WARNING**

**READ THE RULES FOR SAFE OPERATION SECTION AT THE BEGINNING OF THIS MANUAL BEFORE PROCEEDING.**

Do not attempt to operate until all the assembly is complete and the leak checks have been performed. Please read all of the lighting instructions and have an understanding of all the steps prior to lighting the heater.

### **⚠ WARNING**

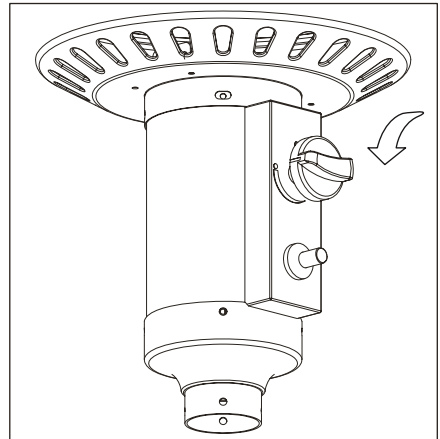
Be careful when attempting to manually ignite this heater. Holding in the control knob for more than 10 seconds before igniting the gas will cause a ball of flame upon ignition.

### STEP 1

Fully open the LP cylinder valve.

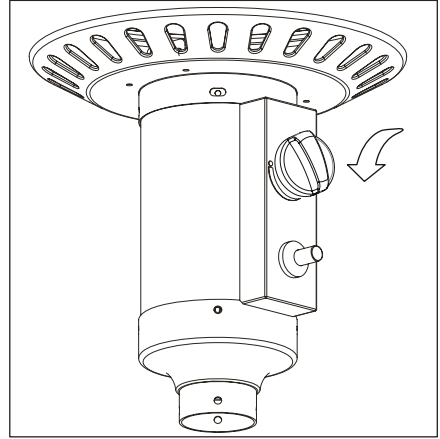
Press and turn the control knob to the HIGH position (counter-clockwise 90°). Holding down the control knob, press the igniter button several times until the main flame is ignited.

Wait 10 seconds after the ignition before releasing the control knob.



## STEP 2

Turn the control knob to the LOW position and leave it there for at least 5 minutes. You may then turn the knob to the desired temperature setting.



## RE-LIGHTING

If the burner flame goes out, turn off the heater and wait at least 5 minutes or more to let the gas dissipate before re-lighting to avoid a gas explosion. Repeat the Lighting steps on the prior pages.

If you experience any ignition problems, consult the Troubleshooting section.

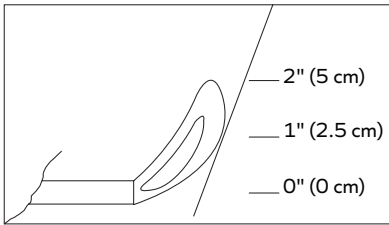
## SHUTTING DOWN

Turn the propane cylinder valve clockwise to OFF, disconnect the regulator and place the dust cap on the cylinder when the heater is not in use.

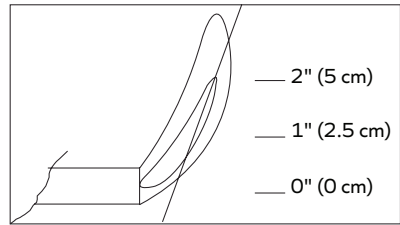


## HELPFUL HINTS

- During initial use, smoke and odor from the burning of oils used in manufacturing will appear. Both smoke and odor will dissipate after approximately 30 minutes. Avoid inhaling fumes emitted from the heater during its first use. The heater should NOT produce thick black smoke.
- The burner may be noisy when initially turned on.
- The emitter screen will become bright red due to intense heat. The color is more visible at night.
- The burner will display tongues of blue and yellow flame. These flames should not be yellow or produce thick black smoke, indicating an obstruction of airflow through the burners. The flame should be blue with straight yellow tops. If excessive yellow flame is detected, turn off heater and consult the Troubleshooting section.



Normal condition



Abnormal condition

- After use, some discoloration of the emitter screen is normal.

# CARE AND MAINTENANCE

## WARNING

Do NOT touch or move heater for at least 45 minutes after use. The reflector is hot to the touch. Allow reflector to cool before touching.

To enjoy years of outstanding performance from your heater, make sure you perform the following maintenance activities.

- Use warm soapy water to clean exterior surfaces. Never use flammable or corrosive cleaning agents. Do not submerge the control valve assembly. If the gas control is submerged in water, do NOT use it. It must be replaced.
- Keep controls, burner and circulating air passageways clean and air flow unobstructed. Check for spiders, insects and debris. Clean burner holes by using a heavy-duty pipe cleaner. Compressed air may help clear away smaller particles. NOTE: Signs of blockage include a gas odor, extremely yellow flame tips, uneven glow or popping noises. When there is a blockage, the heater may also not generate as much heat.
- Keep the ventilation opening(s) of the cylinder enclosure free and clear from debris.
- Visually check the portions of the hose assembly located within the confines of the heater post. Disassemble the reflector and burner and inspect the entire hose assembly at least once a year for evidence of excessive abrasion, cuts or wear. Suspected areas should be leak tested.
- Carbon deposits may create a fire hazard. Clean reflector and burner screen with warm soapy water if any carbon deposits develop. Wash until clear, then dry completely.
- In a salt-air environment (such as near an ocean), corrosion occurs more quickly than normal. Frequently check for corroded areas and repair them promptly.
- Use high-quality automobile wax to help maintain the appearance of your heater. Apply to exterior surfaces from the pole down. Do not apply to emitter screen or reflectors.

- Between uses, the heater should be stored with the control knob in the OFF position and the LP source disconnected.
- The heater should be stored in an upright position in a sheltered area away from direct contact with inclement weather (such as rain, sleet, hail, snow, dust and debris).
- If desired, cover the heater to protect the exterior surfaces and help prevent build-up in air passages. NOTE: Wait until the heater has completely cooled to the the touch before covering.
- Only a qualified service person should repair gas passages and associated components.

# TROUBLESHOOTING

PROBLEM	POSSIBLE CAUSES	CORRECTION ACTIONS
Burner won't light	Propane cylinder is frosted over	Wait until the propane cylinder warms up and is defrosted
	Blockage in orifice	Clear blockage
	Control knob is not in the ON position	Turn control knob to ON
Burner flame is low	Gas pressure is low	Turn cylinder valve OFF and replace cylinder
	Outdoor temperature is less than 40 °F (5 °C) and tank is less than 1/4 full	Use a full cylinder
	Control knob fully ON	Check burner and orifices for blockage
Carbon build-up or thick black smoke	Dirt or film on reflector and burner screen	Clean reflector and burner screen
	Blockage in burner	Remove blockage and clean burner inside and outside

# ONE YEAR LIMITED WARRANTY

This product is warranted to be free from defects in materials and workmanship for a period of one (1) year from the date of original purchase.

If this product is defective, email [service@blueskyoutdoorliving.com](mailto:service@blueskyoutdoorliving.com) or call 1-800-459-4409 (Monday–Friday, 8:00 am–4:30 pm, CST). If the product is defective, we will replace the defective part at no cost to you. Please do not ship your product back to the store or to us unless we send you written instructions for return.

In the event it becomes necessary for your product to be returned, we will notify you how to proceed. A copy of your original purchase receipt must accompany the returned product.



## **WARNING**

Combustion by-products produced when using this product contains chemicals known to the State of California to cause cancer, birth defects, and other reproductive harm.



## TIEMPO BIEN INVERTIDO

En Blue Sky Outdoor Living creemos en la importancia y los beneficios de pasar tiempo en la naturaleza. Nuestros productos están diseñados para el jardín de su casa, un campamento, la playa o para seguir de cerca su evento deportivo favorito.

Puede confiar en que Blue Sky Outdoor Living ofrece productos duraderos y fáciles de usar que mejorarán su patio y sus reuniones o aventuras al aire libre.

Conéctese con nosotros @blueskyoutdoorliving



Complete la siguiente información y conserve este manual como referencia futura:

MODELO(S):

---

FECHA DE COMPRA:

---

LUGAR DE COMPRA:

---

RECIBO DE COMPRA N°:

---

**Número de parte:** PHG8732BZ (Color bronce martillado)

**Dimensions:** 32" Dia. x 87" H (81,3 cm Dia. x 221 cm H)

# PARA SU SEGURIDAD

LEA Y ASEGÚRESE DE COMPRENDER ESTE MANUAL COMPLETAMENTE ANTES DE ARMAR, UTILIZAR O REPARAR ESTE CALEFACTOR PARA PATIO A GAS.

EL INCUMPLIMIENTO DE LAS PRECAUCIONES E INSTRUCCIONES PROPORCIONADAS PARA ESTE CALEFACTOR PUEDE PROVOCAR LA MUERTE, LESIONES CORPORALES GRAVES Y DAÑOS MATERIALES COMO CONSECUENCIA DE INCENDIOS, EXPLOSIONES, QUEMADURAS, ASFIXIA O ENVENENAMIENTO POR MONÓXIDO DE CARBONO.

SOLO LAS PERSONAS QUE ENTIENDAN Y SIGAN ESTAS INSTRUCCIONES DEBEN UTILIZAR O REPARAR ESTE CALEFACTOR. CONSERVE ESTE MANUAL PARA FUTURAS CONSULTAS.

## PELIGRO

Cualquier instalación, ajuste, alteración, reparación o mantenimiento inadecuado puede causar daños materiales, lesiones o muerte. Lea detenidamente las instrucciones de instalación, uso y mantenimiento antes de instalar o reparar este equipo.

## PELIGRO

### SI SIENTE OLOR A GAS:

- Corte la alimentación de gas al dispositivo.
- Apague cualquier llama.
- Si el olor persiste, manténgase a distancia del dispositivo y llame inmediatamente a su proveedor de gas o a los bomberos.

## PELIGRO

No guarde ni utilice gasolina ni otros gases o líquidos inflamables cerca de este o cualquier otro dispositivo. Cualquier tanque de GLP que no esté conectado y en uso no debe guardarse cerca de este o cualquier otro dispositivo.

**⚠ PELIGRO: RIESGO DE MONÓXIDO DE CARBONO**

**SOLO PARA USO EXTERIOR!**

**ESTE DISPOSITIVO PUEDE PRODUCIR MONÓXIDO DE CARBONO, QUE NO TIENE OLOR Y CONSUME OXÍGENO**

**Y CONSUME OXÍGENO. EL USO DE ESTE CALEFACTOR EN UN ESPACIO CERRADO PUEDE PROVOCAR LESIONES GRAVES O LA MUERTE.**

**NUNCA UTILICE ESTE APARATO EN ESPACIOS CERRADOS COMO REMOLQUES, CARPAS, HOGARES, JARDINES DE INVIERNO, GARAJES U OTRAS ZONAS CERRADAS O SIN VENTILACIÓN.**

**NO OBSTRUYA EL PASO DE AIRE HACIA DENTRO O FUERA DEL CALEFACTOR.**

Este calefactor es un dispositivo de combustión. Todos los dispositivos de combustión producen monóxido de carbono (CO) durante el proceso de combustión. Este producto está diseñado para producir cantidades extremadamente pequeñas y no peligrosas de CO si se utiliza y se le hace mantenimiento de acuerdo con todas las advertencias e instrucciones.

La intoxicación por monóxido de carbono (CO) produce síntomas parecidos a los de la gripe, ojos llorosos, dolores de cabeza, mareos, fatiga y, posiblemente, la muerte. No es posible verlo ni olerlo. Es un asesino invisible. Si estos síntomas se presentan durante la utilización de este producto, ¡busque aire fresco inmediatamente!



## PELIGRO: RIESGO DE EXPLOSIÓN E INCENDIO

Durante su uso, este producto puede causar combustiones. Cuando está encendido, este calefactor se encuentra incandescente y puede provocar la combustión de materiales inflamables que se encuentren demasiado cerca del quemador. Distancias mínimas del calefactor con respecto a materiales inflamables: 3' (1 m) de los lados y 3' (1 m) de la parte superior.

Mantenga el calefactor a una distancia segura de combustibles sólidos, como materiales de construcción, papel o cartón.

Asegúrese de que haya una distancia adecuada alrededor de las entradas de aire en la cámara de combustión.

Nunca utilice este calefactor en espacios que contengan o puedan contener combustibles volátiles o transportados por el aire, tampoco productos como gasolina, disolventes, disolvente de pintura, partículas de polvo, productos químicos desconocidos u otros gases y líquidos inflamables.

No utilice este calefactor en áreas con alto contenido de polvo.

## SEGURIDAD SOBRE EL PROPANO

### ADVERTENCIA

Los combustibles utilizados en dispositivos de gas licuado de petróleo y los productos de la combustión de dichos combustibles pueden provocar la exposición a sustancias químicas como el benceno, reconocido por el Estado de California por causar cáncer, anomalías congénitas y otros daños a los órganos reproductivos.

Para obtener más información, consulte: [www.P65Warnings.ca.gov](http://www.P65Warnings.ca.gov).

- Este producto se alimenta de gas propano. El gas propano es invisible, inodoro e inflamable. Generalmente, se le agrega un odorante para ayudar a detectar fugas y se lo puede describir como un olor a "huevo podrido". El odorante puede desvanecerse con el tiempo, por lo que la fuga de gas no siempre es perceptible solo por el olor.

- Nunca utilice o guarde el propano cerca de lugares con altas temperaturas, llamas, llamas piloto, luz solar directa, otras fuentes de ignición o donde las temperaturas superen los 120 °F (49 °C).
- Los vapores de gas propano son más densos y se pueden acumular en lugares bajos. Pueden encenderse con fuentes de ignición como fósforos, encendedores, chispas, cigarros o cigarrillos encendidos o llamas de cualquier tipo, incluso a varios metros de distancia de la fuga original. Si siente olor a gas, abandone el área inmediatamente.
- El tanque de propano debe estar fabricado y etiquetado de acuerdo con las especificaciones para tanques de GLP del Departamento de Transporte de los Estados Unidos (en los Estados Unidos) o la norma para tanques, esferas y tubos para la comisión y el transporte de productos peligrosos, CAN/CSA-B339 (en Canadá). Nunca conecte el calefactor a un tanque de propano que no esté regulado.
- El tanque debe contar con un mecanismo de conexión compatible con la conexión de este dispositivo.
- El tanque utilizado debe contar con un anillo para proteger la válvula que tiene.
- Nunca instale o retire el tanque de propano mientras el calefactor esté encendido, cerca de llamas, llamas piloto u otras fuentes de ignición o mientras el calefactor esté caliente al tacto.
- Un tanque de propano abollado, oxidado o dañado puede ser peligroso y su proveedor debería revisarlo. Nunca utilice un tanque de propano si la conexión de la válvula está dañada.
- El tanque debe contar con un dispositivo de prevención de sobrellenado indicado.
- Nunca llene el tanque de propano a más del 80 por ciento de su capacidad.
- Guarde y utilice el gas propano de acuerdo con las normas y reglamentos locales o con la norma ANS/NFPA 58. Cierre el tanque de propano cuando no esté en uso.

- Guarde el tanque de propano al aire libre, en un espacio bien ventilado y fuera del alcance de los niños. Nunca guarde el tanque de propano en un espacio cerrado como una casa, un garaje, etc. Si guarda el calefactor para patio adentro, desconecte el tanque de propano y guárdelo por separado al aire libre.
- Coloque la tapa antipolvo en la salida de la válvula del tanque de propano siempre que el tanque no esté en uso. Coloque en la válvula del tanque únicamente el tipo de tapa antipolvo que se provee junto con la válvula. Otros tipos de tapas o tapones pueden provocar fugas de propano.
- Para obtener más información, consulte el capítulo 5 de la norma para el almacenamiento y la manipulación de gas licuado de petróleo, ANS/NFPA 58. La biblioteca de su ciudad o el departamento de bomberos seguramente cuentan con este libro.

## REGLAS PARA UN USO SEGURO

- Nunca pierda de vista al calefactor cuando esté caliente o en uso.
- Manténgalo fuera del alcance de los niños. Supervise cuidadosamente a los niños pequeños cuando estén cerca del calefactor.
- Advierta a los niños y adultos sobre los peligros de las altas temperaturas de las superficies del calefactor. Manténgase alejado de estas superficies para evitar quemaduras en la piel o la ropa.
- Los materiales o artículos que estén debajo del calefactor estarán sometidos a un calor radiante y podrían dañarse seriamente.
- No cuelgue ropa ni ningún otro material inflamable en el calefactor. Tampoco coloque nada encima o cerca de este.
- Mantenga limpias todas las conexiones y uniones. Asegúrese de que la salida de la válvula del tanque de propano esté limpia y que la cubierta del tanque esté libre de partículas.

- Utilice este dispositivo solo como sistema de calefacción. Nunca lo modifique de ninguna manera ni lo utilice con ningún otro dispositivo.
- No utilice este calefactor en condiciones en las que la velocidad del viento sea superior a 10 mph (16 kph).
- Este calefactor funcionará con una eficiencia reducida en temperaturas menores a 40 °F (5 °C).
- No utilice este calefactor cerca de ventanas, entradas de aire, rociadores ni otras fuentes de agua.
- Coloque este calefactor sobre una superficie dura y nivelada.
- Antes de cada uso, inspeccione el conjunto de la manguera para ver si hay evidencia de exceso de abrasión, cortes o desgaste. Las áreas sospechosas deben ser sometidas a pruebas de fugas. Si la manguera tiene fugas, debe reemplazarse antes de utilizarla. Utilice únicamente el conjunto de manguera de repuesto especificado por el fabricante.
- Si desea reencender un calefactor que aún está caliente, siempre debe esperar al menos 5 minutos.
- Es muy importante mantener limpios el compartimento de control, el quemador y los conductos de aire circundantes del calefactor. Puede que se requiera una limpieza más frecuente, según sea necesario.
- Es fundamental mantener limpios el compartimento de control, los quemadores y los conductos de aire circundantes del dispositivo.
- Es posible que arañas o insectos aniden en los quemadores o en los orificios, lo que puede dañar el calefactor y hacer que sea inseguro utilizarlo.
- Los depósitos de carbono pueden producir riesgo de incendio. Consulte la sección de "Cuidado y mantenimiento" para obtener instrucciones de limpieza.
- La colocación y reparación del dispositivo debería realizarlas una persona de servicio calificada. Esta persona debe inspeccionar el calefactor antes de su uso y una vez al año. Asegúrese de que el calefactor esté frío antes de realizarle mantenimiento.

- Reemplace cualquier valla o mecanismo de seguridad que se haya retirado para realizar el mantenimiento del dispositivo antes de volver a ponerlo en funcionamiento.
- Este producto contiene bordes afilados en los paneles, la carcasa del tanque y el mango. Realice el montaje con cuidado.
- Se deben utilizar clavos para fijar el calefactor al suelo. Los clavos no están incluidos.

## NOTAS

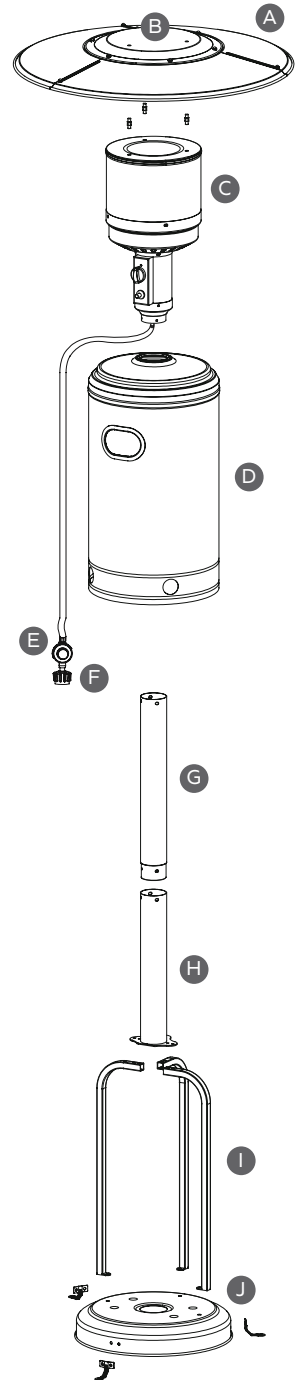
- No podemos prever todos los usos que puedan darse a nuestros calefactores.
- Consulte con la autoridad local de seguridad contra incendios si tiene preguntas sobre el uso del calefactor.
- Otras normas regulan el uso de los gases combustibles y los productos generadores de calor para usos específicos. Las autoridades locales pueden aconsejarle sobre estos. En Estados Unidos, la instalación debe ajustarse a las normas locales o, en su defecto, al Código Nacional de Gas Combustible ANSI Z223.1/NFPA54. En Canadá, la instalación debe cumplir las normas locales. En caso de no haber normas locales, seguir los Estándares Nacionales de Canadá CAN/CGA-B149.2.
- Cada parte del calefactor está fijada para evitar desplazamientos y está fabricada para mantener una relación fija entre las partes esenciales en condiciones normales y razonables de manipulación y uso. Las piezas que no están fijadas de forma permanente están diseñadas para que no puedan ensamblarse de forma incorrecta y no puedan ubicarse de forma inadecuada o desalinearse al retirarlas o sustituirlas durante la limpieza u otro tipo de mantenimiento.

# LISTA DE PIEZAS

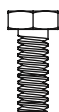
DESEMBALE LAS PARTES Y ASEGÚRESE DE QUE TODAS LAS PIEZAS ESTÉN PRESENTES ANTES DE INTENTAR EL ENSAMBLAJE.

Si alguna pieza falta o está dañada, no intente ensamblar el producto. Contáctenos por correo electrónico a través de [service@blueskyoutdoorliving.com](mailto:service@blueskyoutdoorliving.com) o llame al 1-800-459-4409 (lunes a viernes, de 8:00 a. m. a 4:30 p. m., CST) para obtener repuestos.

REF	CANT	DESCRIPCIÓN
A	3	Panel del reflector
B	1	Placa del reflector
C	1	Conjunto del cabezal
D	1	Carcasa del tanque
E	1	Manguera de gas
F	1	Regulador
G	1	Columna superior
H	1	Columna inferior
I	3	Soporte de apoyo
J	1	Base



REF	CANT	DESCRIPCIÓN
AA	3	Tornillo M8 x 16
BB	6	Tuerca con brida M6
CC	4	Tornillo de acero inoxidable
DD	6	Tornillo M6 x 30
EE	3	Tornillo espaciador del reflector
FF	9	Arandela de 8 mm
GG	15	Arandela de 6 mm
HH	9	Tornillo M6 x 10
II	9	Tuerca ciega
JJ	3	Tuerca mariposa
KK	4	Tornillo de 3/16"
LL	3	Fijación al suelo
MM	6	Tornillo M6 x 10
NN	6	Tuerca M6
OO	1	Llave



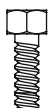
AA



BB



CC



DD



EE



FF



GG



HH



II



JJ



KK



LL



MM



NN



OO

# ENSAMBLAJE

## ⚠ ADVERTENCIA

Este producto contiene bordes afilados. Realice el montaje con cuidado.

Tiempo aproximado de montaje: 60 minutos

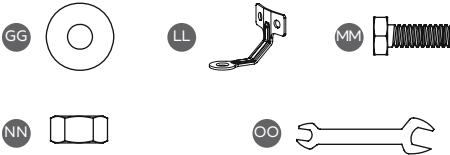
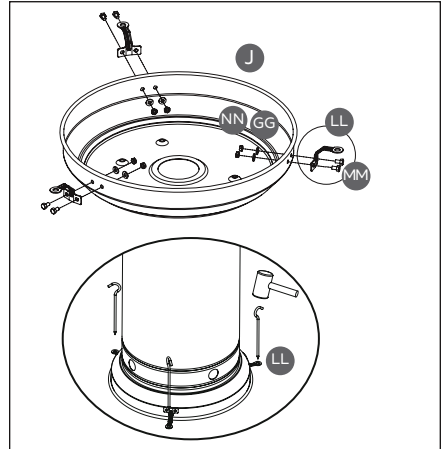
Herramientas necesarias para el montaje (no incluidas):

- Destornillador Phillips de hoja mediana
- Solución para detectar fugas (se describe más adelante en las instrucciones)

## PASO 1

NOTA: No se incluyen implementos de sujeción para fijar el calefactor a una superficie plana. Pida consejo en su ferretería local sobre los sujetadores adecuados para fijar el calefactor.

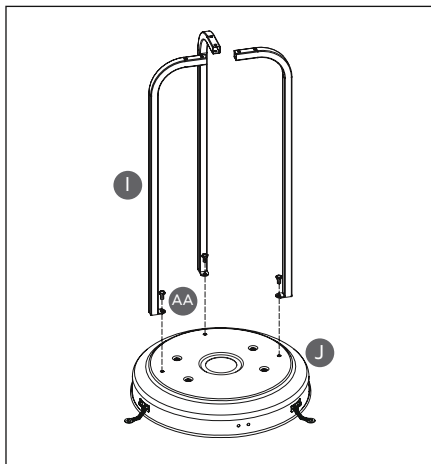
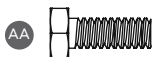
Dé vuelta la base [J]. Coloque las fijaciones al suelo [LL] a la base con dos tornillos M6 x 10 [MM], dos arandelas de 6 mm [GG] y dos tuercas M6 [NN]. Gire la base hacia arriba.





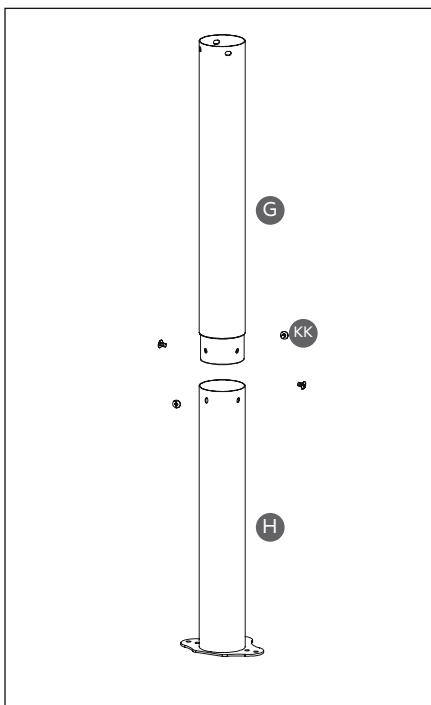
## PASO 2

Para fijar los tres soportes de apoyo [I] a la base [J], inserte (sin ajustar) tres tornillos M8 x 16 [AA] hacia abajo a través de los soportes de apoyo y luego en la base.



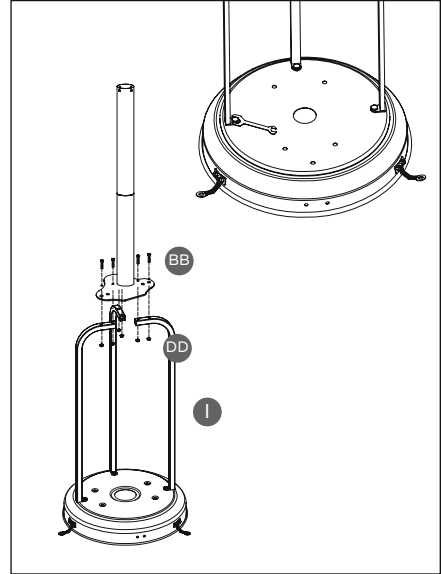
## PASO 3

Inserte la columna superior [G] en la columna inferior [H]. La etiqueta de advertencia en la columna superior debe estar en el mismo lado que la placa plana en la columna inferior. Utilice cuatro tornillos de 3/16" [KK] para fijar firmemente las dos columnas juntas.



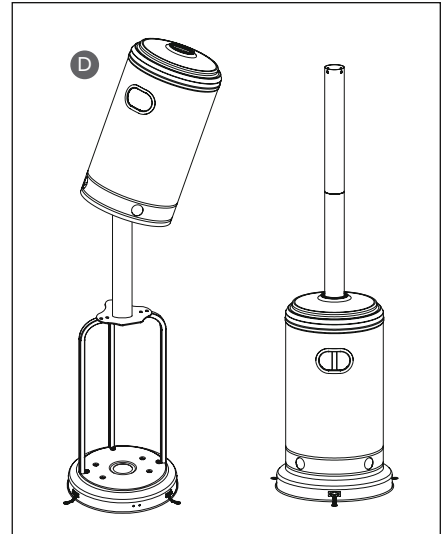
## PASO 4

Fije la columna ensamblada a los tres soportes de apoyo [I] con seis tornillos M6 x 30 [DD] y tuercas con brida M6 [BB]. Ajuste con fuerza.



## PASO 5

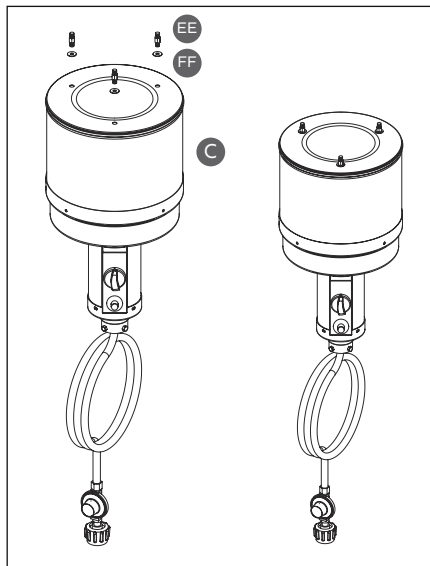
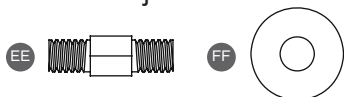
Deslice la carcasa del tanque [D] por encima de la columna ensamblada hasta cubrir los soportes de apoyo [I].



## PASO 6

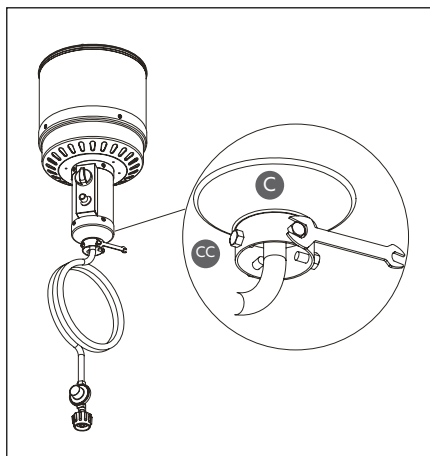
Coloque una arandela de 8 mm [FF] sobre un orificio en la parte superior del conjunto del cabezal [C]. Coloque un tornillo espaciador del reflector [EE] a través de la arandela en la parte superior del conjunto del cabezal [C]. Ajústelo.

Repita los mismos pasos con los otros dos pares de arandelas de 8 mm y tornillos espaciadores del reflector. Ajústelos.



## PASO 7

Desenrosque los tornillos de acero inoxidable [DD] del conjunto del cabezal [C].



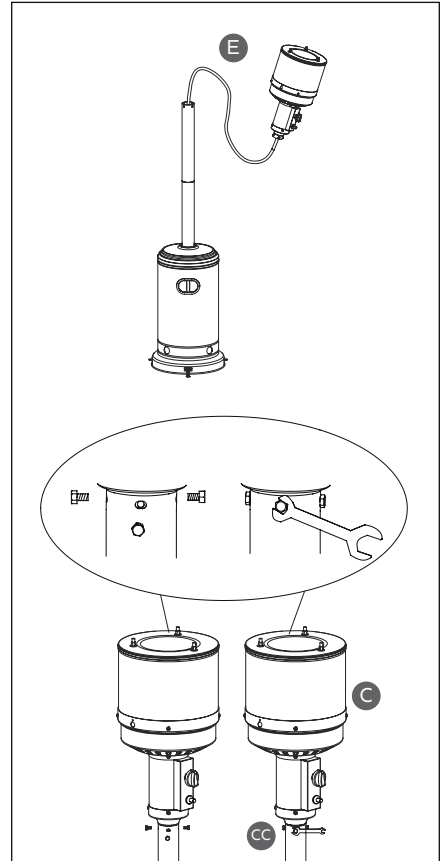
## PASO 8

Inserte la manguera de gas [E] en el poste y, luego, el conjunto del cabezal [C].

Fije el conjunto del cabezal al poste con los tornillos de acero inoxidable [CC] que se quitaron en el paso 7.

NOTA: La perilla de control en el conjunto del cabezal debe estar arriba de la calcomanía en la columna.

Cuando corresponda, verifique visualmente las secciones del conjunto de la manguera ubicadas dentro de los límites del poste del calefactor.



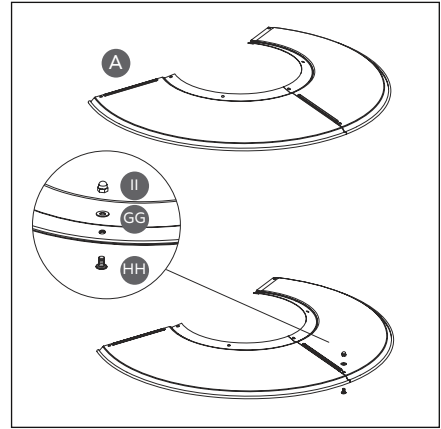
## PASO 9

### ADVERTENCIA

Retire la lámina protectora antes de ensamblar.

Asegure todos los implementos de sujeción sin ajustarlos y ajústelos cuando el conjunto del reflector se haya alineado de forma adecuada.

Una dos paneles del reflector [A].  
Inserte un tornillo M6 x 10 [HH]  
entre los paneles reflectores. Coloque  
una arandela de 6 mm [GG] sobre el  
extremo roscado del tornillo y, luego,  
enrosque una tuerca ciega [II].



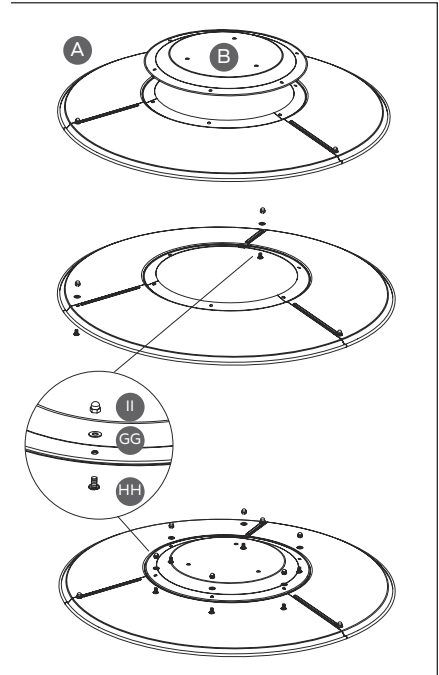
## PASO 10

Ponga la placa del reflector [B] en el centro de los paneles del reflector.

Una el tercer panel del reflector [A]. Inserte un tornillo M6 x 10 [HH] en cada panel del reflector. Coloque una arandela de 6 mm [GG] sobre el extremo roscado de cada tornillo y, luego, enrosque sin ajustar una tuerca ciega [II].

Fije la placa del reflector a los tres paneles con seis tornillos M6 x 10 [HH], arandelas de 6 mm [GG] y tuercas ciegas [II].

Ajuste todos los tornillos firmemente.



## PASO 11

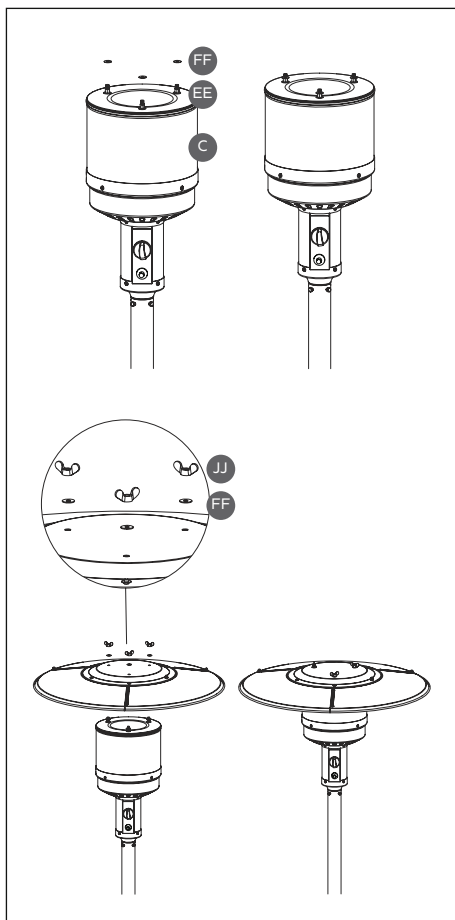
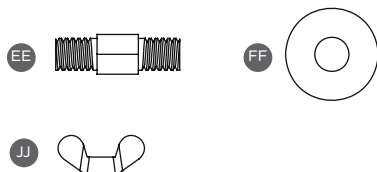
Deslice una arandela de 8 mm [FF] sobre cada uno de los extremos expuestos de los tornillos espaciadores del reflector [EE] que sobresalen del conjunto del cabezal [C].

Coloque el conjunto del reflector en los tres espaciadores.

Deslice una arandela de 8 mm por cada extremo expuesto de los espaciadores del reflector, que sobresalen de la parte superior del conjunto del reflector.

Luego, ajuste con firmeza una tuerca mariposa [JJ] en cada extremo roscado de los espaciadores del reflector.

No ajuste demasiado.



## PASO 11

Antes de conectar el tanque de propano, lea estas importantes indicaciones.

- El gas propano y el tanque se venden por separado. Utilice solamente un tanque de propano estándar de 20 libras: aproximadamente 12,2" (31 cm) de diámetro y 17,9" (45,5 cm) de alto.
- Utilice solo la instalación de gas propano para el sistema de suministro de salida por vapor.
- Presión máxima de entrada de gas: 250 psi/1750 kPa. Presión mínima de entrada de gas: 25 psi/175 kPa. Presión del colector con regulador incluido: 11 pulgadas de columna de agua/2.74 kPa. Se debe utilizar el regulador de presión y el conjunto de la manguera que se suministran junto con el dispositivo.
- El tanque de propano debe estar fabricado y etiquetado de acuerdo con las especificaciones para tanques de GLP del Departamento de Transporte de los Estados Unidos (en los Estados Unidos) o la norma para tanques, esferas y tubos para la comisión y el transporte de productos peligrosos, CAN/CSA-B339 (en Canadá). Nunca conecte el calefactor a un tanque de propano que no esté regulado.
- El tanque debe contar con un mecanismo de conexión compatible con la conexión de este dispositivo.
- El tanque utilizado debe contar con un anillo para proteger la válvula que tiene.
- Nunca instale o retire el tanque de propano mientras el calefactor esté encendido, cerca de llamas, llamas piloto u otras fuentes de ignición o mientras el calefactor esté caliente al tacto.
- Un tanque de propano abollado, oxidado o dañado puede ser peligroso y su proveedor debería revisarlo. Nunca utilice un tanque de propano si la conexión de la válvula está dañada.
- El tanque debe contar con un dispositivo de prevención de sobrellenado indicado.
- Nunca llene el tanque de propano a más del 80 por ciento de su capacidad.
- Para obtener más información, consulte el capítulo 5 de la norma para el almacenamiento y la manipulación de gas licuado de petróleo, ANS/NFPA 58. La biblioteca de su ciudad o el departamento de bomberos seguramente cuentan con este libro.



Asegúrese de que la perilla del tanque de GLP esté cerrada y girada en sentido horario hasta el tope. El sistema de suministro del tanque debe contar con el sistema de salida por vapor. Verifique que la perilla de control de la unidad de control esté apagada.

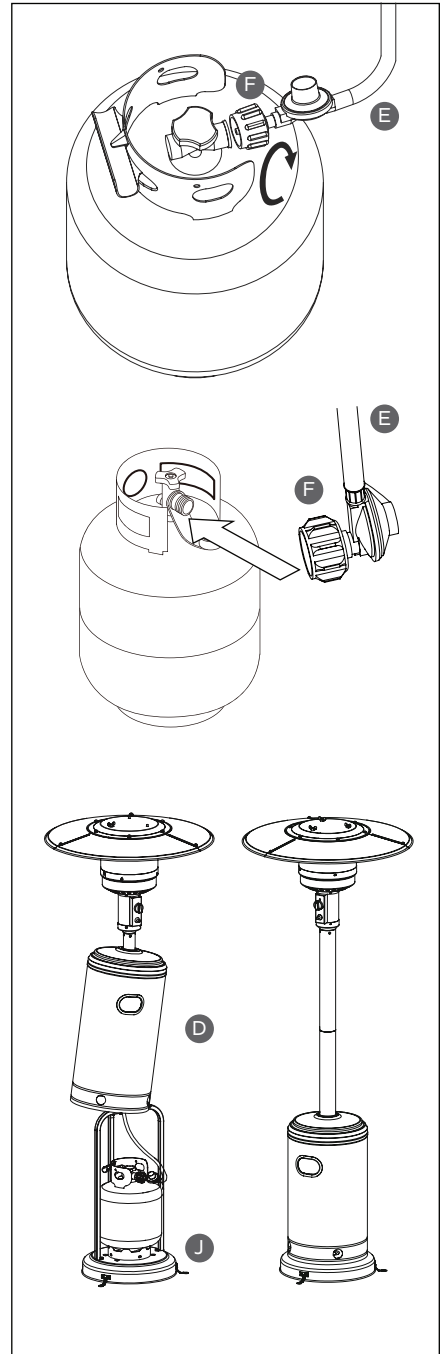
Sostenga la manguera de gas [E] y el regulador [F] en una mano e inserte la boquilla en la salida de la válvula. Asegúrese de que la boquilla esté centrada en la salida de la válvula. La tuerca de acoplamiento se conecta a los hilos exteriores de la rosca de la salida de la válvula. Apriete a mano la tuerca de acoplamiento en sentido horario hasta que se detenga por completo. Apriete firmemente solo con la mano. Tenga cuidado de enroscar correctamente para no barrer las roscas.

Baje la carcasa del tanque [D] con cuidado hasta colocarla en su lugar sobre el tanque. Verifique que esté colocada de manera uniforme en la base [J].

Para desconectar, cierre completamente la válvula del tanque girando en sentido horario. Gire la tuerca de acoplamiento en sentido antihorario hasta que la manguera de gas y el regulador se separen.

**⚠ ADVERTENCIA**

No guarde un tanque de GLP de repuesto debajo del calefactor o cerca del mismo.



# USO

## ADVERTENCIA

**LEA LA SECCIÓN "REGLAS PARA UN USO SEGURO" AL PRINCIPIO DE ESTE MANUAL ANTES DE CONTINUAR.**

Se deben consultar las siguientes listas de verificación cada vez que se utilice el calefactor. Asegúrese de haber leído atentamente toda la sección Funcionamiento antes de intentar encender el calefactor.

## LISTA DE VERIFICACIÓN PREVIA AL USO

Para lograr una experiencia de calefacción segura y agradable, siga esta lista de verificación antes de cada uso.

- Estoy familiarizado con todo el manual del propietario y comprendo todas las precauciones indicadas.
- Todos los componentes están correctamente montados, intactos y operativos. No se realizaron modificaciones.
- Todas las conexiones de gas son seguras y no tienen fugas. He realizado las pruebas de fugas necesarias que se describen en la siguiente sección.
- El calefactor está ubicado en un lugar adecuado y al aire libre, lejos de materiales combustibles y las condiciones climáticas son adecuadas. He seguido todas las indicaciones de las Reglas para un uso seguro sobre la ubicación del calefactor.
- Hay una ventilación de aire fresco adecuada. Todos los conductos del quemador y de la circulación de aire están despejados.

## LISTA DE VERIFICACIÓN POSTERIOR AL USO

Después de apagar el calefactor para patio, siga esta lista de verificación.

- La perilla de control de gas está en posición "OFF" (APAGADO).
- La válvula del tanque de propano está CERRADA.
- La manguera de gas está desconectada del tanque de propano.

## PRUEBAS DE FUGAS

### ⚠ ADVERTENCIA

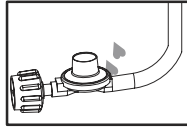
Utilice agua con jabón para revisar todas las conexiones y uniones a fin de detectar fugas. Nunca utilice una llama.

Realice todas las pruebas de fuga al aire libre.

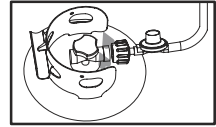
Antes de realizar una prueba de fuga, apague todas las llamas. NUNCA se debe fumar al mismo tiempo que se realizan pruebas de fugas.

No utilice el calefactor hasta que se hayan probado todas las conexiones y no tengan fugas.

Conexión entre la manguera y el regulador



Conexión entre el tanque y el regulador



1. Prepare entre 2 y 3 onzas (55 y 85 g) de solución para detectar fugas (una parte de detergente líquido para lavar platos y tres partes de agua).
2. Aplique varias gotas de la solución en el lugar donde la manguera se conecta al regulador.
3. Aplique varias gotas de la solución en el lugar donde el regulador se conecta al tanque.
4. Asegúrese de que todas las válvulas del calefactor para patio y de encendido estén CERRADAS.
5. ABRA la válvula del tanque.

SI APARECEN BURBUJAS EN ALGUNA CONEXIÓN, HAY UNA FUGA.

Si hay una fuga:

1. CIERRE la válvula del tanque.
2. Si la fuga está en la conexión entre la manguera y el regulador: ajuste la conexión y realice otra prueba de fuga. Si siguen apareciendo burbujas, la manguera debe cambiarse en el lugar de compra.

3. Si la fuga se encuentra en la conexión entre el regulador y válvula del tanque: desconecte, reconecte y realice otra prueba de fuga. Si sigue viendo burbujas después de varios intentos, la válvula del tanque está defectuosa y debe cambiarse en el lugar de compra.

SI NO APARECEN BURBUJAS EN NINGUNA CONEXIÓN, LAS CONEXIONES SON SEGURAS.

NOTA: Cada vez que se colocan, aflojan o retiran las conexiones de gas, se debe realizar una prueba completa en busca de fugas.

## ENCENDIDO

### **⚠ ADVERTENCIA**

**LEA LA SECCIÓN “REGLAS PARA UN USO SEGURO” AL PRINCIPIO DE ESTE MANUAL ANTES DE CONTINUAR.**

No intente utilizar el dispositivo hasta que todo el montaje esté completo y se hayan realizado las pruebas de fugas. Lea todas las instrucciones de encendido y asegúrese de comprender todos los pasos antes de encender el calefactor.

### **⚠ ADVERTENCIA**

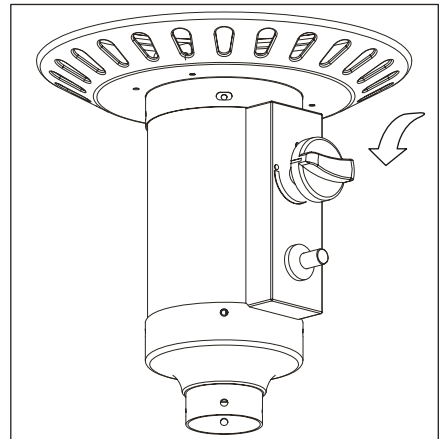
Tenga cuidado cuando intente encender este calefactor de forma manual. Si se mantiene la perilla de control presionada durante más de 10 segundos antes de encender el gas, se producirá una bola de fuego en el momento del encendido.

### **PASO 1**

Abra por completo la válvula del tanque de GLP.

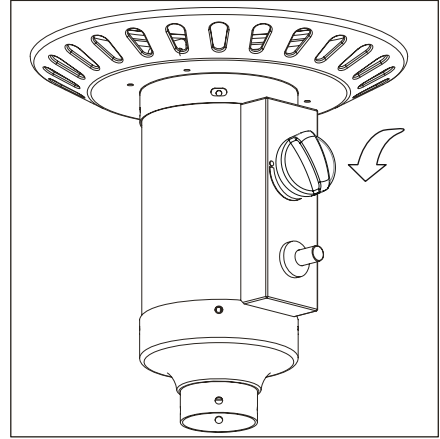
Presione y gire (90° en sentido antihorario) la perilla de control hasta la posición “HIGH” (ALTO). Mientras mantiene presionada la perilla de control, presione el botón de encendido varias veces hasta que la llama principal se encienda.

Espera 10 segundos después del encendido antes de soltar la perilla de control.



## PASO 2

Gire la perilla de control hasta la posición "LOW" (BAJO) y déjelo ahí por al menos 5 minutos. Luego, puede girar la perilla hasta el nivel de temperatura deseado.



## REENCENDIDO

Si la llama del quemador se apaga, apague el calefactor y espere al menos 5 minutos, o más, antes de volver a encenderlo para permitir que el gas se disipe y no se produzca una explosión. Repita los pasos de "Encendido" detallados en las páginas anteriores.

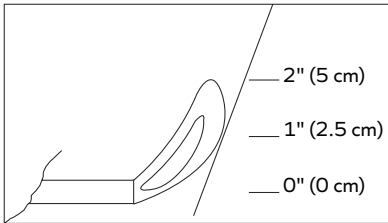
Si tiene problemas con la ignición, consulte la sección "Solución de problemas".

## APAGADO

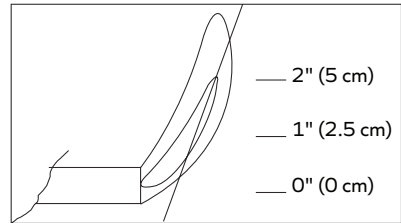
Gire la válvula del tanque de propano en el sentido de las agujas del reloj hasta colocarlo en APAGADO, desconecte el regulador y coloque la tapa antipolvo en el tanque cuando no se utilice el calefactor.

## CONSEJOS ÚTILES

- Durante el uso inicial, aparecerán humo y olor provenientes de la combustión de los aceites utilizados en la fabricación. Ambos se disiparán después de aproximadamente 30 minutos. Evite inhalar los vapores emitidos por el calefactor durante su primer uso. El calefactor NO debe producir humo negro espeso.
- El quemador puede hacer ruido cuando se acaba de encender.
- La pantalla emisora de calor se pondrá rojo brillante debido a la elevada temperatura. El color es más visible por la noche.
- El quemador exhibirá lenguas de llama azul y amarilla. Estas llamas no deben ser amarillas completamente ni producir un humo negro espeso, ya que indicaría una obstrucción del paso de aire a través de los quemadores. La llama debe ser azul con puntas amarillas rectas. Si se detecta una llama excesivamente amarilla, apague el calefactor y consulte la sección de "Solución de problemas".



Condición normal



Condición anormal

- Después de su utilización, es normal que aparezca una decoloración de la pantalla emisora de calor.

# CUIDADO Y MANTENIMIENTO

## ADVERTENCIA

NO toque o mueva el calefactor durante al menos 45 minutos después de utilizarlo. El reflector estará caliente al tacto. Deje que este se enfríe antes de tocarlo.

Para disfrutar de años de excelente rendimiento de su calefactor, asegúrese de realizar las siguientes tareas de mantenimiento.

- Use agua tibia con jabón para limpiar las superficies exteriores. Nunca utilice agentes de limpieza inflamables o corrosivos. No sumerja el conjunto de la válvula de control. Si el control de gas está sumergido en agua, NO lo utilice. Se debe reemplazar.
- Mantenga limpios los controles, el quemador y los conductos de aire circundantes y asegúrese de que el paso de aire no esté obstruido. Verifique que no haya arañas, insectos o partículas. Limpie los orificios del quemador con un limpiador de tuberías de alta resistencia. El aire comprimido puede ayudar a eliminar las partículas más pequeñas. **NOTA:** Algunos signos de obstrucción son el olor a gas, las puntas de llama extremadamente amarillas, el brillo desigual o los chasquidos. Cuando se produce una obstrucción, también puede ocurrir que el calefactor no genere suficiente calor.
- Mantenga las entradas de ventilación de la carcasa del tanque libres de partículas.
- Verifique visualmente las secciones del conjunto de la manguera ubicadas dentro de los límites del poste del calefactor. Desmonte el reflector y el quemador e inspeccione todo el conjunto de la manguera al menos una vez al año para ver si hay evidencia de exceso de abrasión, cortes o desgaste. Las áreas sospechosas deben ser sometidas a pruebas de fugas.
- Los depósitos de carbono pueden producir riesgo de incendio. Si se forman depósitos de carbono, limpie la pantalla del quemador y el reflector con agua tibia con jabón. Lávelo hasta que quede limpio y, luego, séquelo por completo.



- En un ambiente con presencia de sal en el aire (como cerca del mar), la corrosión se produce más rápido de lo normal. Verifique con frecuencia si hay áreas corroídas y repárelas rápidamente.
- Utilice cera para automóviles de alta calidad para ayudar a mantener el aspecto del calefactor. Aplíquela en las superficies exteriores desde la columna hacia abajo. No aplique el agua en la pantalla emisora de calor o en los reflectores.
- Entre usos, el calefactor debe guardarse con la perilla de control en la posición "OFF" (APAGADO) y la fuente de GLP desconectada.
- El calefactor debe guardarse en posición vertical en un área protegida del contacto directo con las inclemencias del tiempo (como lluvia, aguanieve, granizo, nieve, polvo y partículas).
- Si así lo desea, cubra el calefactor para proteger las superficies exteriores y ayudar a prevenir la formación de obstrucciones en los conductos de aire. NOTA: espere hasta que el calefactor se haya enfriado al tacto por completo antes de cubrirlo.
- La reparación de los conductos de gas y los componentes asociados solo debería realizarla una persona de servicio calificada.

# SOLUCIÓN DE PROBLEMAS

PROBLEMA	POSIBLES CAUSAS	MEDIDAS CORRECTIVAS
El quemador no enciende	El tanque de propano está escarchado	Espere a que el tanque de propano se caliente y se derrita la escarcha
	Obstrucción en el orificio	Limpie o elimine la obstrucción
	La perilla de control no está en posición de ENCENDIDO	Gire la perilla de hasta la posición de ENCENDIDO
La llama del quemador es demasiado baja	Baja presión de gas	CIERRE la válvula del tanque y reemplácelo
	La temperatura exterior es inferior a 40 °F (5 °C) y al tanque le queda menos de 1/4	Utilice un tanque lleno
	La perilla de control está completamente ENCENDIDA	Verifique si hay obstrucciones en el quemador o los orificios
Acumulación de carbono o humo negro espeso	Concentración o capa de suciedad en la pantalla del quemador y el reflector	Limpie la pantalla del quemador y el reflector
	Obstrucción en el quemador	Elimine la obstrucción y limpie el quemador por dentro y por fuera

# GARANTÍA LIMITADA DE 1 AÑO

Se garantiza que este producto está libre de defectos en materiales y mano de obra por un período de un (1) año a partir de la fecha de la compra original.

Si este producto es defectuoso, envíe un correo electrónico a [service@blueskyoutdoorliving.com](mailto:service@blueskyoutdoorliving.com) o llame a 1-800-459-4409 (de lunes a viernes, de 08:00 a.m. a 04:30 p.m., CST) Si el producto es defectuoso, reemplazaremos la pieza defectuosa sin costo para usted. No devuelva su producto a la tienda ni a nosotros, a menos que le enviemos instrucciones escritas para su devolución.

En caso de que sea necesario devolver su producto, le notificaremos cómo proceder. El producto devuelto se debe acompañar con una copia de su recibo de compra original.

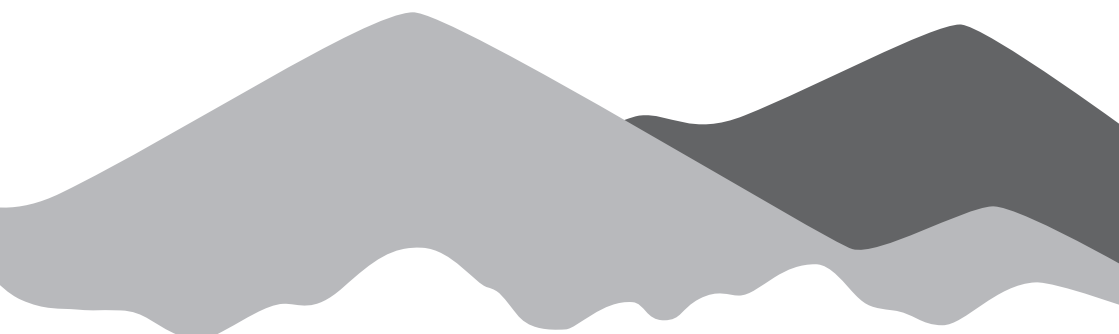


## **ADVERTENCIA**

Genera combustión de subproductos. Contiene químicos reconocidos por el Estado de California por causar cáncer, anomalías congénitas y otros daños a los órganos reproductivos.



**BLUE SKY™**  
OUTDOOR LIVING



Imported by / Importado por Quality Craft  
Romeoville, IL 60446  
[service@blueskyoutdoorliving.com](mailto:service@blueskyoutdoorliving.com)  
1-800-459-4409  
[www.blueskyoutdoorliving.com](http://www.blueskyoutdoorliving.com)



@blueskyoutdoorliving

Made in China / Hecho en China

PHPG8919B-09/20