

# Fireplace Hood

## Installation Instructions

### Models: CABL, CABR

CABL - Flat Black Enamel  
 CABR - Polished Plated Brass

**NOTICE:** Read this entire instruction sheet before beginning installation.

Remove the contents of the fireplace hood kit. Check for any missing or damaged parts. If any parts are missing or damaged, promptly contact the dealer where you purchased this kit.

**Kit contents:**

- 1, Fireplace hood (1, center-hood section, 2, adjustable outer-hood sections)
- 4, Sheet metal screws
- 4, Masonry screws
- 2, Mounting brackets

### Sizing the Fireplace Hood to the Fireplace Opening or Glass door Frame

The fireplace hood is adjustable from 28" to 48". You must open hood wide enough to cover the entire fireplace opening. You can open hood wider if desired. For best appearance, make sure center section of hood is centered with the fireplace opening.

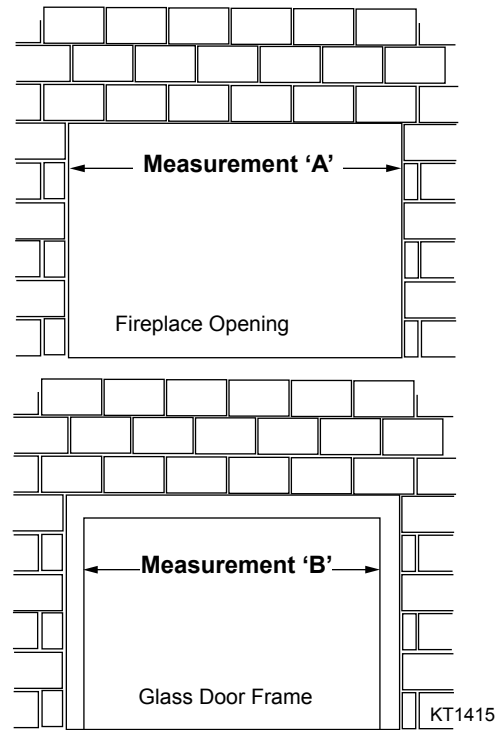
Follow the instructions below to properly size the fireplace hood.

1. Measure width of fireplace opening or glass door frame. Refer to *Figure 1, Measurement 'A'*. Use work space below to figure proper size for fireplace hood.

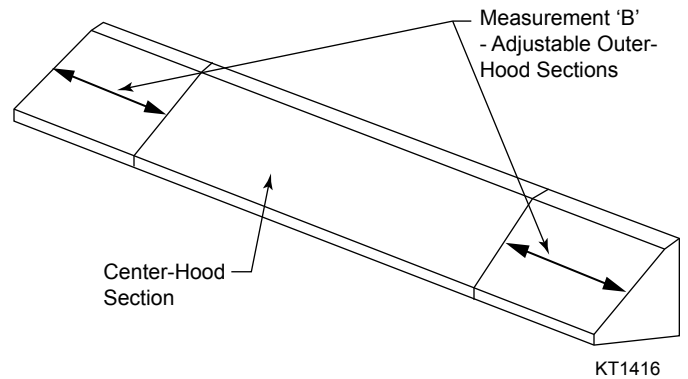
Measurement 'A'	
Subtract 24"	
(width of hood center section)	
Subtotal Measurement =	
Divided by 2	
Measurement 'B'	

Measurement 'B' is the distance from the outside edges of center-hood section to outside edges of adjustable outer-hood sections. *Figure 2*. When adjustable outer sections are extended to this measurement, hood will be correct size. The overall width of the hood will equal the width of the fireplace opening. If you have glass doors and would like the hood to hang beyond the edge of the door frame, add 1/2" to measurement 'B'. Make sure that hood provides room for opening doors.

2. If hood is brass, remove all protective film from brass.
3. Place center-hood section face down on a smooth, soft surface.

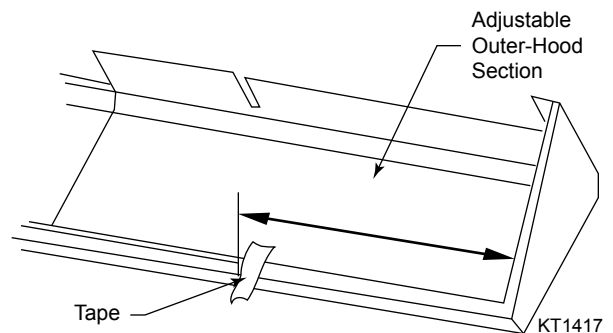


**Figure 1**



**Figure 2**

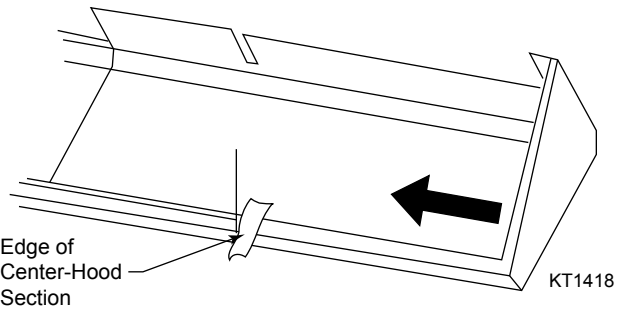
4. Measure in from outside ends of adjustable outer-hood sections. Place a piece of tape on bent-under flange of adjustable outer-hood sections to mark the distance of measurement 'B'. *Figure 3*



**Figure 3**

- Slide the adjustable outer-hood sections into the center section. Stop when edge of center-hood section is even with tape. *Figure 4*
- Place pieces of tape across adjustable outer-hood sections and center-hood section to hold in place.

**IMPORTANT:** You must remove all tape before operating your fireplace.



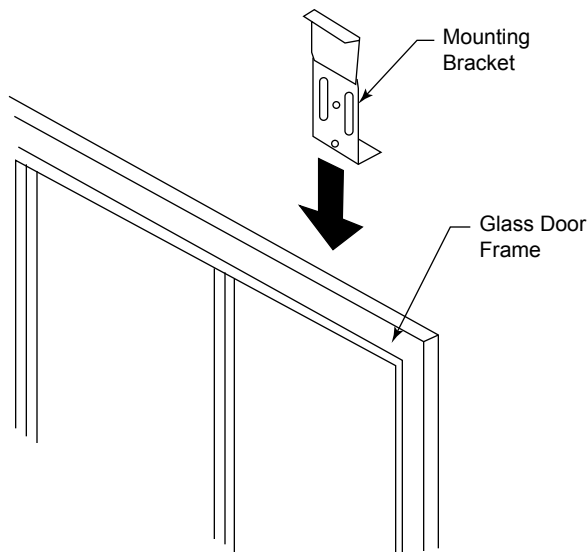
**Figure 4**

### Install Hood to Masonry Fireplace

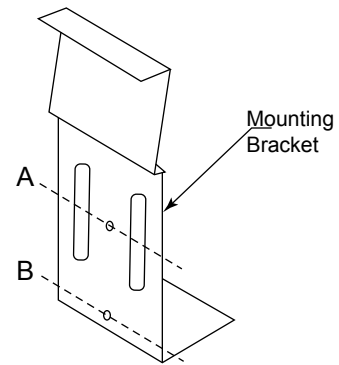
Follow the instructions below that best describe your fireplace.

#### Masonry with Glass Doors

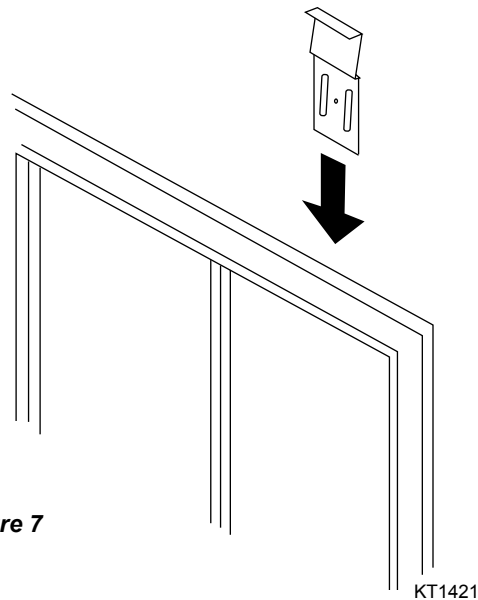
- Loosen clamps that hold glass door frame to fireplace. Slide the mounting brackets behind the glass door frame. *Figure 5*. Place brackets near ends of horizontal glass door frame. **NOTE:** If frame is too tall, the bottom of mounting bracket will not slide under lintel (top) of fireplace. If so, cut mounting bracket off at point 'B'. *Figure 6*. Slide mounting bracket into glass door frame. *Figure 7*



**Figure 5**

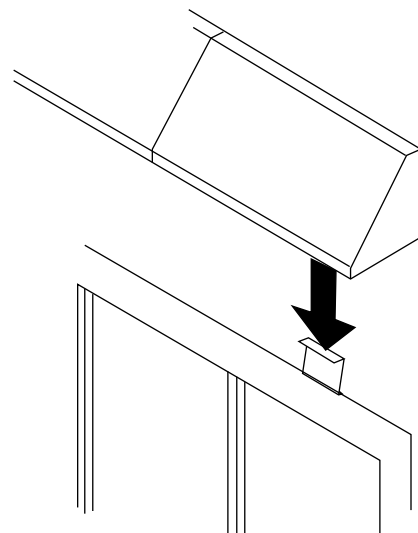


**Figure 6**



**Figure 7**

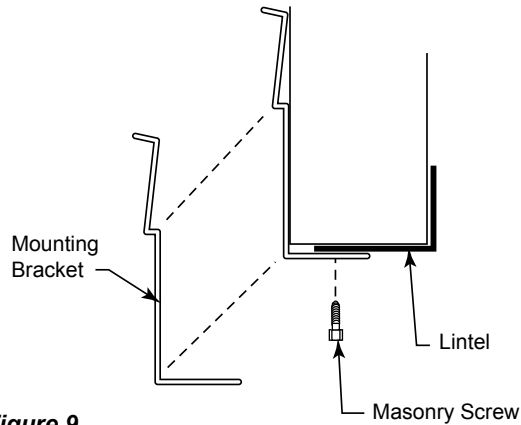
- Tighten glass door lintel clamps. This will secure the mounting brackets.
- Slide the hood over the mounting brackets. *Figure 8*



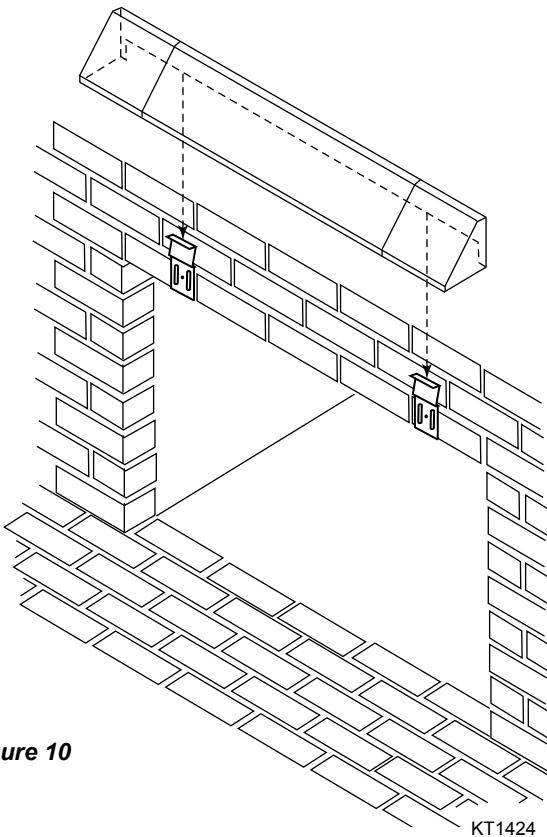
**Figure 8**

## Masonry Without Glass Doors

1. Tape the mounting brackets near the ends of the fireplace opening. Make sure to position brackets as shown in *Figure 9*.
2. Mark screw locations on fireplace lintel through the slots on bottom of each mounting bracket.
3. Remove mounting brackets and drill a 5/32" diameter hole into fireplace lintel at each marked location.
4. Use the masonry screws provided to fasten brackets to lintel. *Figure 9*
5. Slide hood over mounting brackets. *Figure 10*



**Figure 9**



**Figure 10**

## Install Hood to Manufactured Fireplace



### WARNING

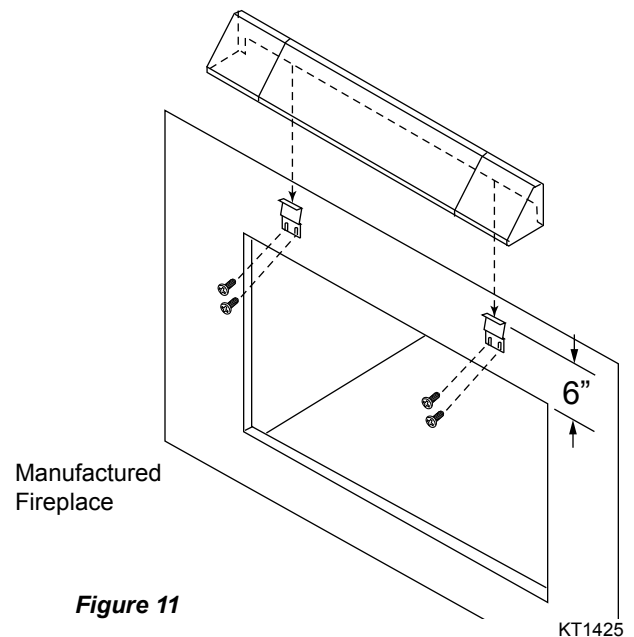
Many manufactured fireplaces have louver openings for ventilation. Do not cover any louver openings with fireplace hood. Do not mount fireplace hood above any louver openings. Only mount fireplace hood below louver openings.

Covering louver openings or mounting fireplace hood above louver openings will cause the fireplace to overheat and could cause property damage, personal injury or death due to fire.

You may need to alter or discard the mounting brackets to install the fireplace hood to the manufactured fireplace.

### Install Above Manufactured Fireplace Opening

1. Cut mounting bracket off at 'A'. *Figure 6*
2. Tape mounting bracket to fireplace housing. Make sure top of bracket is 6" (152 mm) above fireplace opening. *Figure 11*



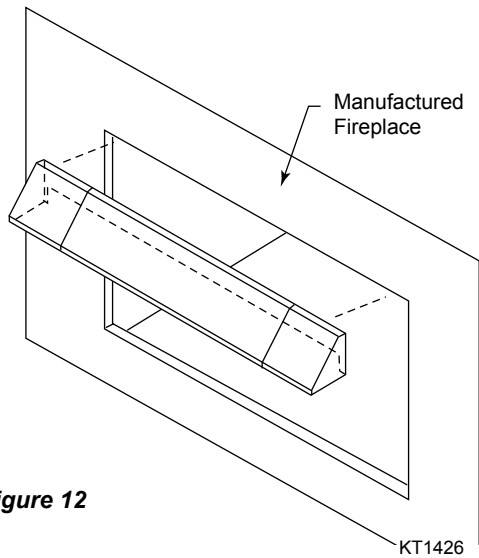
**Figure 11**

3. Mark screw locations through slots in mounting bracket.
4. Remove mounting brackets and drill a 1/8" diameter hole into fireplace housing at each marked location.

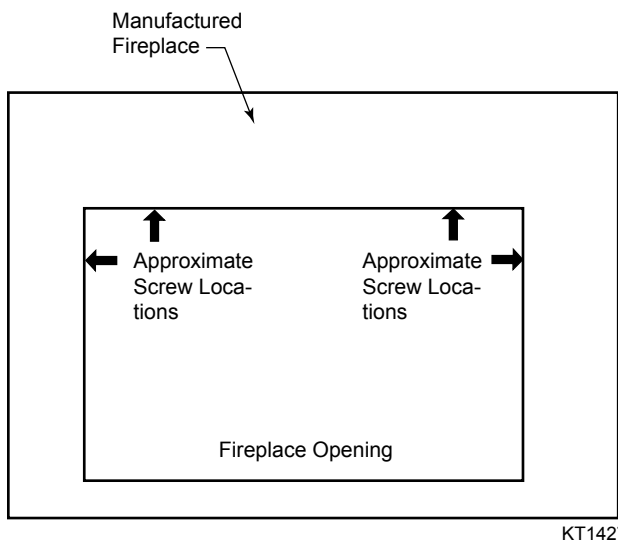
5. Use the sheet metal screws provided to fasten brackets to fireplace housing. *Figure 11*
6. Slide hood over mounting brackets. *Figure 11*

**Install into Manufactured Fireplace Opening**

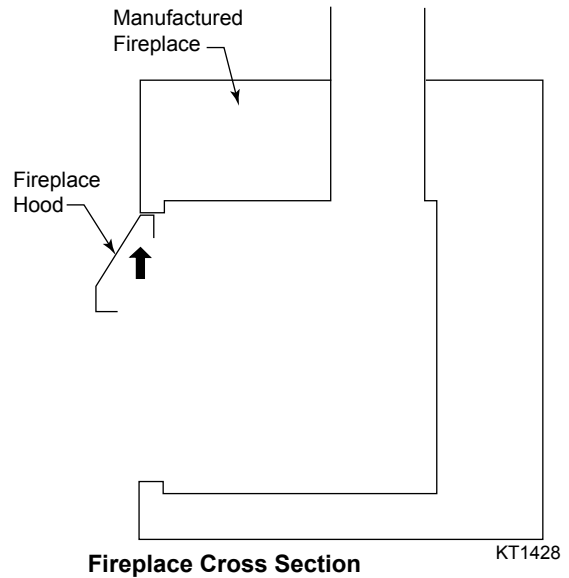
1. Discard the mounting brackets.
2. Place the hood inside the fireplace opening as shown in *Figure 12*.
3. Hold the hood in place and drill four (4) holes through hood and into channel on the fireplace opening. *Figures 13 & 14*. Make sure holes are evenly spaced and cover most of the hood's length.
4. Use the sheet metal screws provided to fasten the hood to the fireplace opening.



**Figure 12**




**Figure 13**



**Figure 14**

**Operating Fireplace with Fireplace Hood**



**WARNING**

- Fireplace hood becomes very hot during fireplace operation.
- Do not touch fireplace hood.
- Sever burns could occur.

**IMPORTANT:** Remove all tape used when installing fireplace hood before operating fireplace.



Monessen, a brand of Hearth & Home Technologies  
 7571 215th Street West, Lakeville, MN 50044  
[www.monessenhearth.com](http://www.monessenhearth.com)