

Trim Kit

Models: I28TK, IAL32TK, IAL36TK, AL42TK

This trim kit has been tested for use with specific Hearth & Home Technologies products. Check with your local building code agency before you begin installation to ensure compliance with local codes, including the need for permits and follow-up inspections. If you encounter any problems regarding code approvals, or if you need clarification of any of the instructions contained here, contact your Hearth & Home Technologies dealer. For the dealer nearest you, please visit www.hearthnhome.com.

Read these instructions thoroughly before beginning installation.

CAUTION: Allow firebox to cool completely if it has been in operation.

KIT CONTENTS:

- (1) Top Trim
- (1) Right Side Trim
- (1) Left Side Trim
- (2) Corner Brackets
- (2) Corner Bracket Shims
- (4) Corner Bracket Screws
- (4) #8 x 1/2" Screws

INSTRUCTIONS:

1. Remove all parts from package and arrange face down on a non-damaging surface such as a carpeted floor.
2. Align parts as shown in Figure 1.

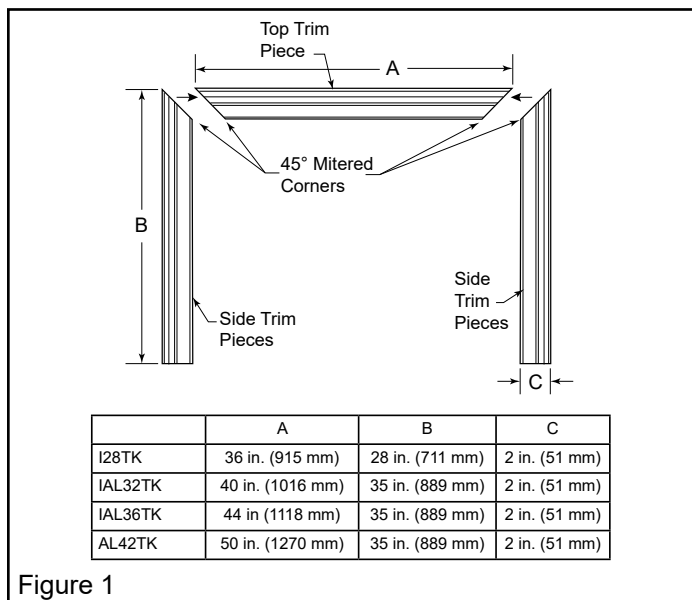


Figure 1

3. Slide (1) Corner Bracket (w/screws) and (1) Corner Bracket Shim into the outside corner slot where the Top Trim and Side Trim meet. See Figure 2.
4. Hold the corners together securely. Tighten screws on bracket with a flat head screwdriver. Make sure the corners are flush and there are no gaps. Do not overtighten screws. Repeat for other Side Trim. See Figure 3.

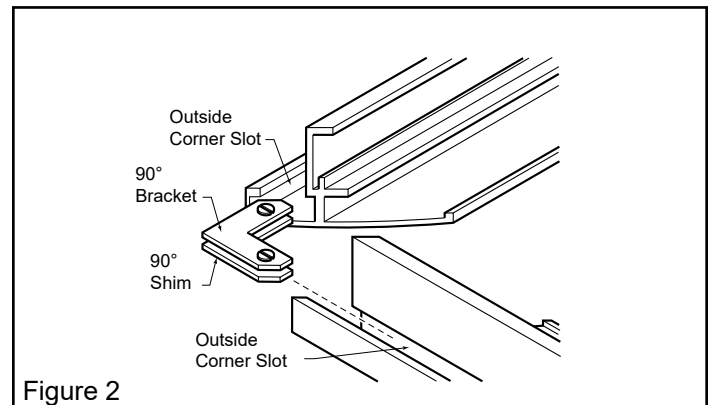


Figure 2

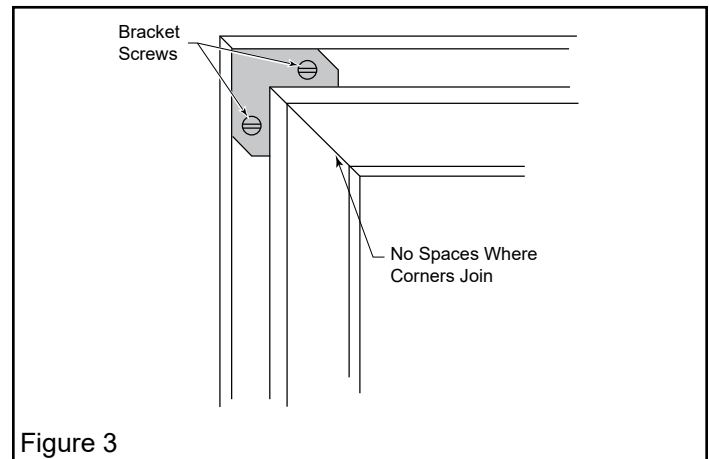


Figure 3

5. Attach trim to wall or cabinet as shown. See Figure 4. Refer to installation manual for framing dimensions.

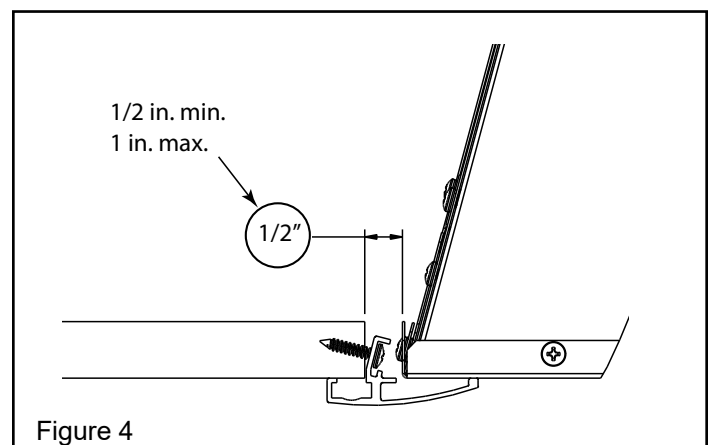


Figure 4