

IPI Gas Conversion Instructions

MODEL: MDV3732-C

Conversion Instructions

This conversion shall be installed by a qualified service agency.

Any damaged valve components should not be installed. If a valve or regulator has been dropped or appears to have been modified, the valve or regulator should not be installed.

Conversion Component list:

- Burner Orifice:
See Appliance Specification charts on page 3 for appropriate orifice size for each gas type.
- Pilot Orifice
- Gas Valve Regulator
- Gas Conversion Plate
- NG or P (Propane) Label

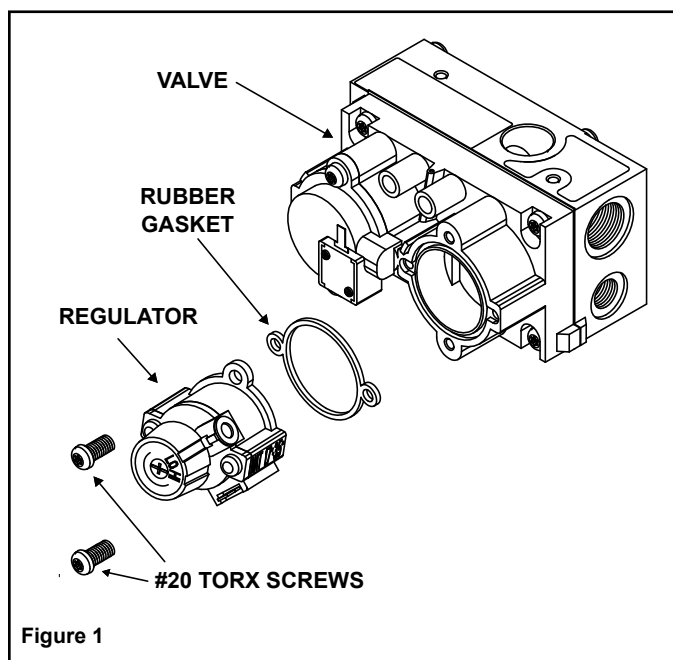
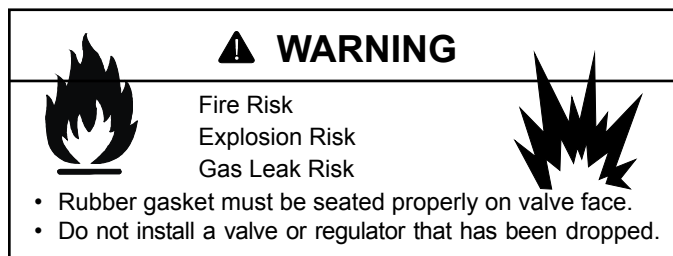
CAUTION: THE GAS SUPPLY SHALL BE SHUT OFF PRIOR TO DISCONNECTING THE ELECTRICAL POWER BEFORE PROCEEDING WITH THE CONVERSION.

WARNING:

This Conversion kit shall be installed by a qualified service agency in accordance with the manufacturer's instructions and all applicable code and requirements of the authority having jurisdiction. If the information in these instructions is not followed exactly, a fire, explosion or production of carbon monoxide may result causing property damage, personal injury or loss of life. The qualified service agency is responsible for the proper installation of this kit. The installation is not proper and complete until the operation of the converted appliance is checked as specified in the manufacturer's instructions supplied with the kit.

Procedure for conversion:

1. Turn off power to module and valve by unplugging 3V transformer from junction box.
2. Turn off gas to valve. Red gas shutoff knob is located on ball valve.
3. Remove the logs from the appliance.
4. Using a #20 tamper-proof Torx screwdriver, remove the regulator and rubber gasket on face of valve (see Figure 1). Discard both the regulator and gasket.



5. Install the rubber gasket and new regulator included in the conversion kit. Be sure the gasket is seated properly as shown in Figure 1.
6. Bend the two pilot bracket tabs toward the firebox. Remove the screw holding the pilot in position. Slide the pilot to the right and the back, freeing it from the pilot bracket and burner.
Note: It may be helpful to remove the screw on the burner leg and move the burner forward in order to free the pilot from the burner.
7. Remove burner by removing the screw on the left burner leg. Slide the burner to the left and remove it from the fireplace making sure not to pull the pilot with it.
8. Replace existing burner orifice with burner orifice included in this kit. See Appliance Specification chart on page 3 for appropriate orifice size for each gas type.
9. Unscrew the pilot tube fitting on the pilot and replace the orifice spud with the one included in the conversion kit. See Figure 2.

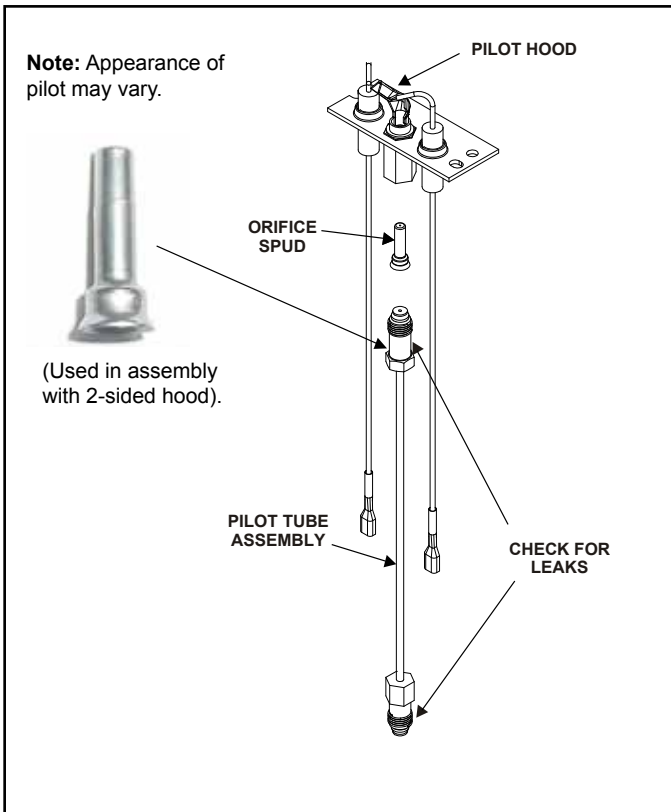


Figure 2

10. Place the round label included with the conversion kit (NG or P) over the existing round label (NG or P) on the bottom base pan. Place the included gas conversion plate adjacent to the existing rating plate.

	<p>⚠ WARNING</p>
	<p>Shock or burn risk.</p> <ul style="list-style-type: none"> • Disconnect green wire from gas valve. <p>Failure to disconnect green wire could result in severe burns.</p>

Note: The qualified service agency installing this conversion must enter the day, month, and year, and sign the conversion plate added to this appliance.

11. Unplug the green wire from valve.
12. Turn on power to module and valve by plugging in 3 volt transformer to junction box.
13. Turn on gas to appliance using red gas shutoff knob located on ball valve.

14. Turn on fireplace with the green wire disconnected from the valve. Note that only the pilot will ignite with the green wire disconnected.
15. Use a commercially available, non-corrosive leak check solution to test for leaks around the pilot. Be sure to rinse off all leak check solution following testing. See Figure 2 for leak check points. Extinguish the pilot.
16. Adjust shutter gap on burner. See Appliance Specification charts on page 3 for appropriate orifice size and shutter settings for each gas type.
17. Reinstall burner by sliding to right to engage orifice, and reinstalling screw on left leg of burner. Attach pilot. Bend the pilot bracket tabs back to the original position.
18. Reinstall green wire on valve.
19. Turn fireplace on and use a commercially available, non-corrosive leak check solution to test for leaks around the valve regulator. Shut down appliance. Be sure to rinse off all leak check solution following testing.
20. Reinstall the logs by following the log placement instructions.
21. Reinstall the glass.
22. Turn on fireplace to check for proper burner flame pattern.
23. Verify that both pilot and burner go out when the green wire and orange wire are disconnected from gas valve.
24. Verify that the signed and dated conversion plate has been added to appliance.
25. Reinstall the decorative front.

Verify the performance of the ignition system.

1. Verify pilot sparks, pilot lights, pilot stops sparking, and the main burner turns "ON"
2. Turn fireplace OFF. Verify that the both the pilot and burner turn "OFF".
3. Repeat Step 1 above.
4. With burner "ON", remove green wire connected to valve. The main burner should shut "OFF".
5. Reattach green wire to valve, and the main burner should turn back "ON".
6. With the main burner "ON", remove orange wire connected to the valve. The pilot and burner should go out, and the pilot will start to spark.
7. Turn fireplace "OFF" and reattach orange wire to valve.

Natural Gas Appliance Specifications

- | | <u>MAXIMUM</u> | <u>MINIMUM</u> |
|--------------------------------|----------------|----------------|
| • Inlet Gas Pressure: | 10.0 in. w.c. | 5.0 in. w.c. |
| • Manifold Gas Pressure: | 3.5 in. w.c. | 1.7 in. w.c. |
| • Input Rate:..... | See Below | |

When installing above 2000 feet elevation:

- In the USA: Reduce input rate 4% for each 1000 feet above 2000 feet.
- In CANADA: Input ratings are certified without a reduction of input rate for elevations up to 4500 feet (1370 m) above sea level. Please consult provincial and/or local authorities having jurisdiction for installations at elevations above 4500 feet (1370 m).

Models	Orifice #	Shutter	BTU Max.	BTU Min.
MDV3732-C	45	3/16 in.	19,000	13,500

Propane Gas Appliance Specifications

- | | <u>MAXIMUM</u> | <u>MINIMUM</u> |
|--------------------------------|----------------|----------------|
| • Inlet Gas Pressure: | 13.0 in. w.c. | 11.0 in. w.c. |
| • Manifold Gas Pressure: | 10.0 in. w.c. | 5.5 in. w.c. |
| • Input Rate:..... | See Below | |

When installing above 2000 feet elevation:

- In the USA: Reduce input rate 4% for each 1000 feet above 2000 feet.
- In CANADA: Input ratings are certified without a reduction of input rate for elevations up to 4500 feet (1370 m) above sea level. Please consult provincial and/or local authorities having jurisdiction for installations at elevations above 4500 feet (1370 m).

Models	Orifice #	Shutter	BTU Max.	BTU Min.
MDV3732-C	55	1/2 in.	18,000	14,500