



EVERPURE® IN-12 INLINE FILTER

DESIGNED FOR SUPERIOR TASTE AND ODOR REDUCTION

IN-12 with 1/4" JG fittings: EV9100-86

IN-12 without fittings: EV9100-07



APPLICATIONS

Medium volume, single pot coffee brewers

FEATURES • BENEFITS

Granular activated carbon

Inhibits the formation of limescale

Available with quick disconnect fittings which make installation fast and simple

NSF Certified under NSF Standards 42 for taste and odor reduction

Provides clear, fresh, quality ingredient water for coffee, espresso and ice applications

Reduces chlorine taste and odor, which can cause coffee to taste bitter

Inhibits the formation of limescale, which can shorten the life of equipment

Inline design is compact and installs out of sight behind equipment

INSTALLATION TIPS

Use 1/4" water line

Flush IN-12 cartridge by running water through filter for three (3) minutes at full flow

OPERATION TIPS

Change cartridges on a regular six (6) month preventative maintenance program

Change cartridges when capacity is reached or when pressure falls below 10 psi (0.7 bar)

Service flow rate must not exceed 0.75 gpm (2.83 Lpm)

Always flush the filter cartridge at time of installation and cartridge change

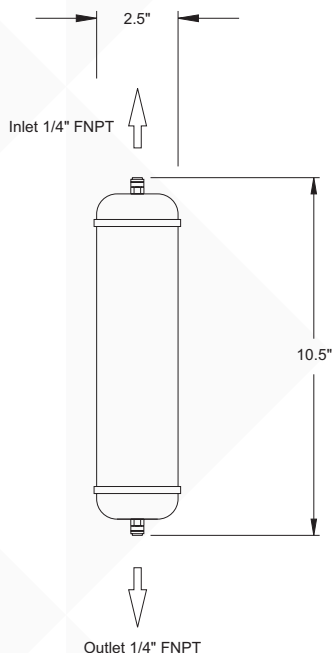
SIZING

Service Flow Rate: Maximum 0.75 gpm (2.8 Lpm)

Rated Capacity: 4,800 gallons (18,170 L)

EVERPURE® IN-12 INLINE FILTER

EV9100-86



SPECIFICATIONS

Overall Dimensions
10.5" L x 2.5" dia. (26.6 x 6.3 cm)

Inlet Connection 1/4"

Outlet Connection 1/4"

Service Flow Rate
Maximum 0.75 gpm (2.8 Lpm)

Rated Capacity
4,800 gallons (18,170 L)

Pressure Requirements
10 – 125 psi (0.7 – 8.6 bar), non-shock

Temperature
35 – 100°F (2 – 38°C)

Electrical Connection
None

Operating Weight
2 lbs. (0.9 kg)



System Tested and Certified by NSF International against NSF/ANSI Standard 42 for the reduction of:

Standard No. 42: Aesthetic Effects
Chemical Unit
Taste and Odor Reduction
Chlorine Reduction

The contaminants or other substances removed or reduced by this drinking water system are not necessarily in your water. Do not use with water that is microbiologically unsafe or of unknown quality without adequate disinfection before or after the system.

WARRANTY

Everpure water treatment systems by Pentair® (excluding replaceable elements) are covered by a limited warranty against defects in material and workmanship for a period of five years after date of purchase. Everpure replaceable elements (filter cartridges and water treatment cartridges) are covered by a limited warranty against defects in material and workmanship for a period of one year after date of purchase. See printed warranty for details. Pentair will provide a copy of the warranty upon request.



FILTRATION & PROCESSING SOLUTIONS

EVERPURE-SHURFLO WORLD HEADQUARTERS, 1040 MUIRFIELD DRIVE, HANOVER PARK, IL 60133 USA • WWW.EVERPURE.COM
800.942.1153 MAIN (US ONLY) • 630.307.3000 MAIN • 630.307.3030 FAX • CSEVERPURE@PENTAIR.COM EMAIL

EVERPURE-SHURFLO AUSTRALIA / NEW ZEALAND, 1-21 MONASH DRIVE, DANDENONG SOUTH, VIC, 3175, AUSTRALIA
1300.576.190 TEL • AU.EVERPURE@PENTAIR.COM EMAIL

EVERPURE-SHURFLO CHINA, 21F CLOUD 9 PLAZA, NO 1118, SHANGHAI, 200052, CHINA
86.21.3211.4588 TEL • 86.21.3211.4580 FAX • CHINA.WATER@PENTAIR.COM EMAIL

EVERPURE-SHURFLO INDIA, GREEN BOULEVARD, B-9/A, 7TH FLOOR - TOWER B SECTOR 62, NOIDA - 201301
91.120.419.9444 TEL • 91.120.419.9400 FAX • INDIACUSTOMER@PENTAIR.COM EMAIL

EVERPURE-SHURFLO EUROPE, PENTAIR WATER BELGIUM BVBA, INDUSTRIEPARK WOLFSTEE, TOEKOMSTLAAN, 30 B-2200 HERENTALS, BELGIUM
+32.(0).14.283.500 TEL • +32.(0).14.283.505 FAX • SALES@EVERPURE-EUROPE.COM EMAIL

EVERPURE-SHURFLO JAPAN INC., HASHIMOTO MN BLDG. 7F, 3-25-1 HASHIMOTO, MIDORI-KU, SAGAMIHARA-SHI KANAGAWA 252-0143, JAPAN
81.(0)42.775.3011 TEL • 81.(0)42.775.3015 FAX • INFO@EVERPURE.CO.JP EMAIL

EVERPURE-SHURFLO SOUTHEAST ASIA, 390 HAVELOCK ROAD, #04-01, KING'S CENTRE, SINGAPORE 169662
65.6795.2213 TEL • FAX: 65.6795.2219 FAX • CSEVERPURE@PENTAIR.COM EMAIL

All Pentair trademarks and logos are owned by Pentair, Inc. All other brand or product names are trademarks or registered marks of their respective owners. Because we are continuously improving our products and services, Pentair reserves the right to change specifications without prior notice. Pentair is an equal opportunity employer.