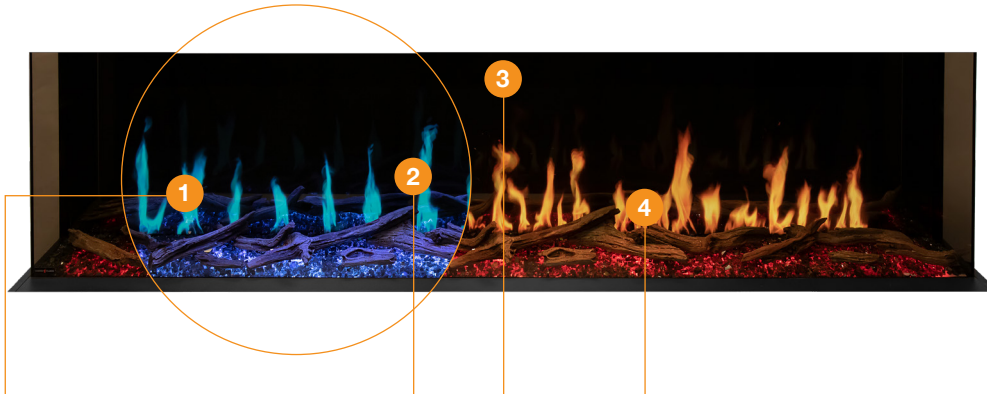


Motion



Motion design features

Available in four styles (Single Sided, Bay, Left Corner & Right Corner) in multiple sizes.



1. Vibrant, realistic flames

Features the latest in electric flame innovation: full-colour, optimized Motion Picture Flame Technology. Natural looking, multi-dimensional, multi-colour flickering flames from every angle. Easily change the color from orange to yellow, purple to blue, green to white. Choose from three different flame styles: wood, gas, hybrid.

All seasons

Operate with heat or no heat. Flame- and light-only for ambient illumination during warmer months; quick, effective room heating for cooler months.

Design & installation freedom

Vent-free, self-contained, zero-clearance design for limitless installation versatility. Easily installed in any indoor space – homes, apartments, condos, townhouses, hospitality and commercial premises. Frame into wood or metal studs, into partial or non-load-bearing walls. Only one specialist required to install.

2. Infinite options

Custom mode options including adjustable flame speed, style, ember bed color, downlight colour, and accent colors to match your interior decor. Integrated audio provides ‘crackling logs’ sound for enhanced ambiance. State-of-the-art virtual technology allows for endless upgrades and the latest features.

3. Built to last

Crafted from durable black, satin powder-coated mild steel. LCD screen. LED lighting. No moving parts.

Easy to use

Comes with built-in touch control and a full-function remote control allowing for easy and convenient adjustment of the flame pattern and color, heat output, sound and lighting.

Integrated audio

High-quality ‘crackling logs’ sound for enhanced illusion of a real fire.

4. Modern aesthetics

Sleek, clean-lined style for tailored wall-mounted fireplace designs. Includes decorative, black crushed glass media and western driftwood log set to further enhance the ‘wood fire’ appearance.

Energy-efficient, eco-friendly

Lower operational costs: 2 cents per hour without heat, 24 cents per hour with heat (1500W)*. Long-life LED lamps consume the same energy as a light bulb. Use with No Heat, Low, or High Heat settings for even better efficiency (60W average without heat). No heat is lost up a chimney or vent. Zero-emission means no harmful smoke or greenhouse gases are emitted. *based on the average cost of electricity in the USA.

Choice of six sizes

From compact fireplaces with a smaller footprint, to linear fires with elongated flames. Ranging from 762mm [30in] to an expansive 3048mm [120in].

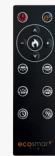
Included Accessories



Western Driftwood Logs

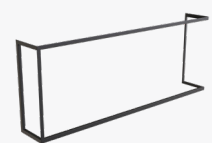


Black Crushed Glass



Remote Control

Optional Accessories



Trim Kit (Gyprock Installations)

Disclaimer. All product specifications and data are subject to change without notice and believed to be correct at the time of publication. MAD Design Group (MDG), its affiliates, agents, and employees, and all persons acting on its or their behalf (collectively, “MAD Design Group”), disclaim any and all liability for any errors, inaccuracies or incompleteness contained herein or in any other disclosure relating to any product. MDG disclaims any and all liability arising out of the use or application of any product described herein or of any information provided herein to the maximum extent permitted by law. The product specifications do not expand or otherwise modify MDG’s terms and conditions of purchase, including but not limited to the warranty expressed therein, which apply to these products. No license, express or implied, by estoppel or otherwise, to any intellectual property rights is granted by this document or by any conduct of MDG. Customers using or selling MDG products not expressly indicated for use in such applications do so entirely at their own risk and agree to fully indemnify MDG for any damages arising or resulting from such use or sale. Please contact authorised personnel from MDG to obtain written terms and conditions regarding products designed for such applications. Images are indicative only.


Motion 120 Specifications

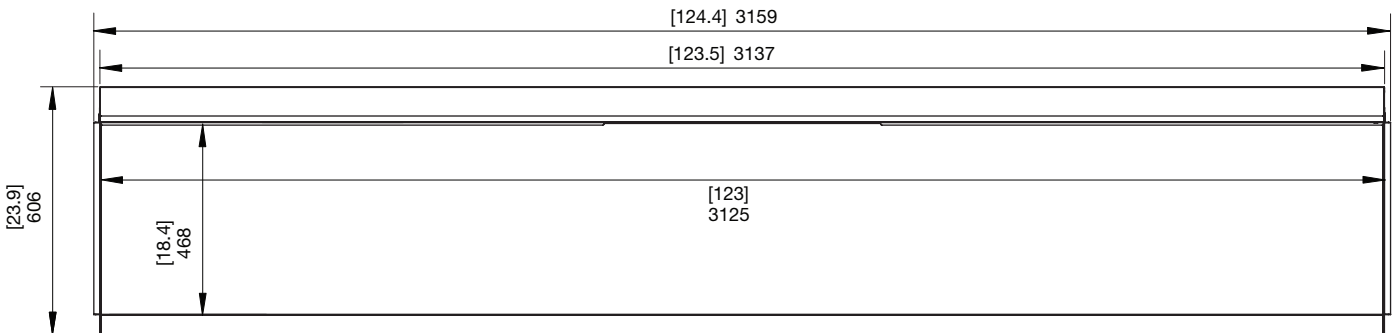
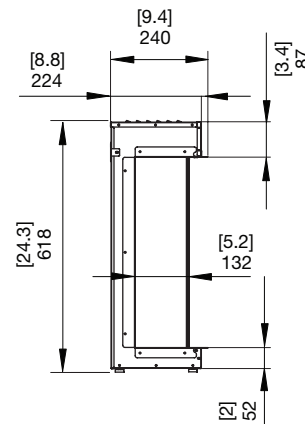
Technical Specifications

Construction



| Volts / Amps | LED Lamps (No heat) | High Heat | | Heats on Average | | Viewing Area Size | Minimum Wall Length |
|--|---------------------|-----------------------|------------------------|--|--|-------------------|---------------------|
| | | (120V) | (240V) | (120V) | (240V) | | |
| 120V / 13A / 60Hz 240V / 13A / 60Hz | 85 Watts | 1,500W 5,000 BTU/h | 3,000W 10,000 BTU/h | 27.9m ² [300 ft ²] | 55.8m ² [600 ft ²] | 3125mm [123in] | 3159mm [124.4in] |

| | |
|-----------------|---|
| Application | Indoor |
| Surround Colour |  Black |
| SKU's | US.ESF.MN.120SS, US.ESF.MN.120BY, US.ESF.MN.120LC, US.ESF.MN.120RC |
| Materials | Mild Steel with Satin Powder-coat, Toughened Glass |
| Approx. Weight | 126kg [278lbs] |
| Type | Electric |



Physical model dimensions should be verified against cut out dimensions BEFORE installation begins to confirm tolerances align.

FOR MORE INFORMATION PLEASE REFERENCE THE CLEARANCE & INSTALLATION MANUAL

Disclaimer: All product specifications and data are subject to change without notice and believed to be correct at the time of publication. MAD Design Group (MDG), its affiliates, agents, and employees, and all persons acting on its or their behalf (collectively, "MAD Design Group"), disclaim any and all liability for any errors, inaccuracies or incompleteness contained herein or in any other disclosure relating to any product. MDG disclaims any and all liability arising out of the use or application of any product described herein or of any information provided herein to the maximum extent permitted by law. The product specifications do not expand or otherwise modify MDG's terms and conditions of purchase, including but not limited to the warranty expressed therein, which apply to these products. No license, express or implied, by estoppel or otherwise, to any intellectual property rights is granted by this document or by any conduct of MDG. Customers using or selling MDG products not expressly indicated for use in such applications do so entirely at their own risk and agree to fully indemnify MDG for any damages arising or resulting from such use or sale. Please contact authorized personnel from MDG to obtain written terms and conditions regarding products designed for such applications. Images are indicative only.