



PGS ELECTRIC E27T GRILL

GRILL SIZE:
30 Inch Grill

Temperature Range:
Up to 500°

COOKING SURFACE:
540 sq. inches



MASONRY ISLAND CUTOUT DIMENSIONS

E27T Electric Grill Head

28" W x 23" D x 9 1/2" H

Optional Door Kits

MDS L30 Double Door Kit

29 1/4" W x 19 3/8" H

MDS L20 Single Door Kit

19 1/2" W x 12 1/2" H

PGS Vent Kits

400312 (3"x12"), 400418 (4"x18"), 400614 (6"x14")

ISLAND INSTALLATIONS

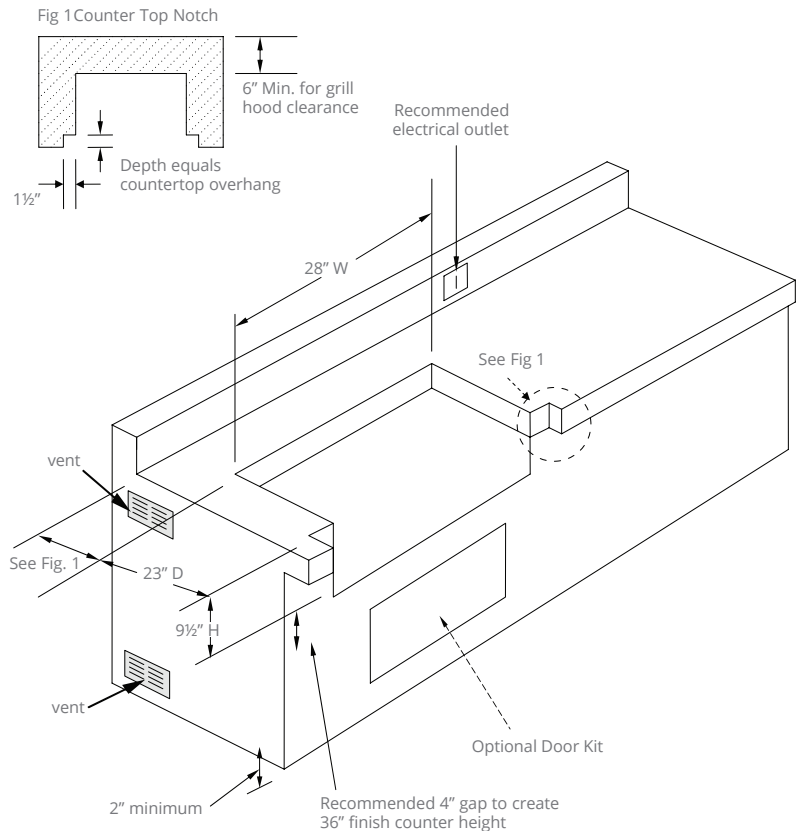
All Islands for open flame grills must have venting Top and Bottom and on 2 sides that are not the FRONT of the island. Every opening must permit a 3/16" rod. ANZI Z21-58 2024 (4.6.2)

Islands that will house grills using "remote or system" Propane must have one whole side of the enclosure open or otherwise comply with the ANZI Z21-58 2024 (4.7) venting requirements.

GRILL RATING

240 Volts: 60Hz Frequency; 5880 Watts output drawing 24.5 amps. When connecting this appliance to a power supply make sure it is the same rating, 240 Volts.

This unit is equipped with a 6' cord ending with a straight blade 2POLE 3WIRE 30AMP 240V plug, use a NEMA 6-30 plug.



PGS
Brochure
Download

949.474.3070
info@aeicorporation.com
www.aeicorporation.com

2641 Du Bridge Ave.
Irvine, CA 92606

E27T ELECTRIC GRILL FEATURES

PGS Electric T-Series grills have a one-hour timer that automatically shuts off the electric supply, preventing extended use. This feature is ideal for apartment complexes, student housing, military housing, senior living, and HOA communities.



- One-Hour Safety Shutoff Timer built into the Control Panel
- Laser-etched Control Panel for Permanent Instructions
- 304 Stainless Cooking Surface
- Side-mounted Heat Indicator
- Warming Rack available as an option (Part #: 427909)
- 1-year warranty for multi-user applications
- Dual Walled Hood
- Temperature Range Up to 500°
- Two Reflector/Protector Grates, 18 gauge

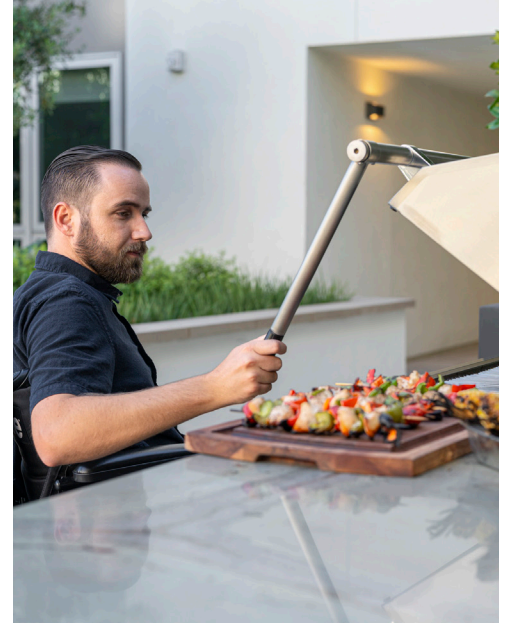
LIFT-ASSIST HANDLE

Easier operation of the lid for improved safety and accessibility

The optional Lift-Assist Handle accessory reduces handle reach by 8 inches, making grilling safer and more accessible. This exclusive PGS Grill feature ensures a convenient 42-inch reach when the grill is installed at a 34-inch height.

Lift-Assist Handle for S27T

LAHK27



FREIGHT: FOB Irvine, CA 92606
ORDERING & LEAD TIME: Call AEI Corporation - (949) 474-3070 M-F 7 a.m. - 4 p.m. PST



PGS
Brochure
Download

WARNING: California Proposition 65 - The burning of gas cooking or heating fuels (and certain components contained in this product) generates some by products which are on a list of substances known by the state of California to cause cancer or reproductive harm. California law requires businesses to warn customers of potential exposure to such substances. To minimize exposure to such substances always operate this appliance in accordance with our Use & Care Guide (Owner's Manual) ensuring you provide good ventilation when cooking with gas. For detailed information please see official California Proposition 65 website www.P65WARNINGS.CA.GOV