

# Smart Burner Collection

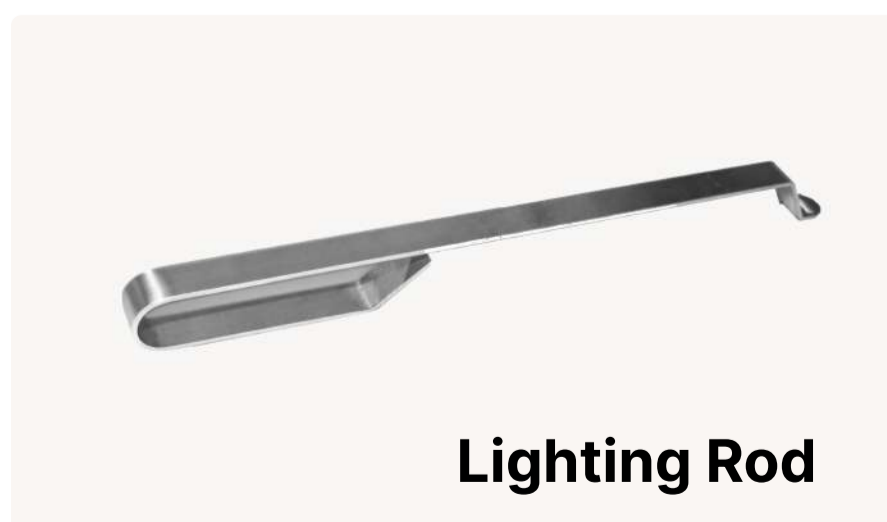
## 96" RC Smart Burner



**Black**

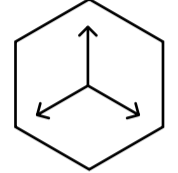
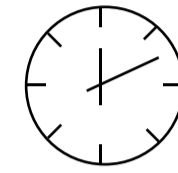
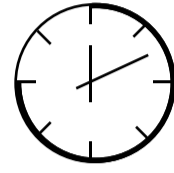
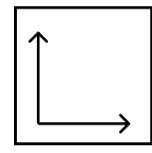
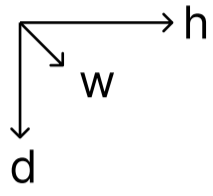


### Included Accessories



# Smart Burner Collection

## 96" RC Smart Burner



Dimensions H x W x D mm/in	Fuel Capacity	Heats on Average (indoors)	Fuel Consumption	Thermal Output Net (MAX)	Approx. Burn Time	Minimum Room Size (per burner)
168 × 2438 × 193 6.6 × 96 × 7.6	25.2L	Over 168m <sup>2</sup> [1808 ft <sup>2</sup> ]	1.40L per hour	25,900 BTU - 64,800 BTU (18.9 kW.h)	18 hours	400 sq. ft.

### Awards

2010 Winner Outdoor Hearth Products  
Vesta Awards

### Application

Indoor & Outdoor

### Burner Colour

● Stainless Steel ● Black

### Materials

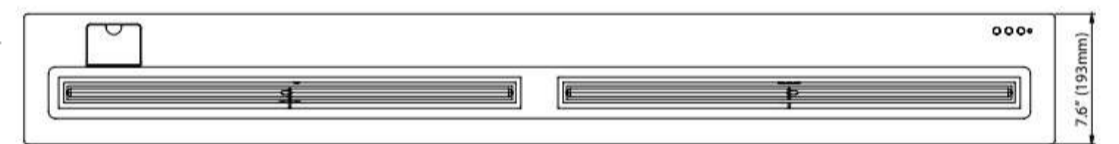
304 Stainless Steel Construction  
Insulated Bottom Tray

### Remote Info

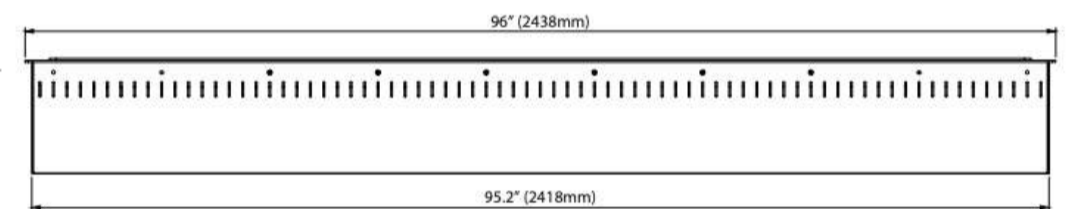
- 6 Adjustable Heat Settings
- Safety Sensors
- WiFi Control Smartphone App
- Automatic Fuel Refill System

### Fuel Type

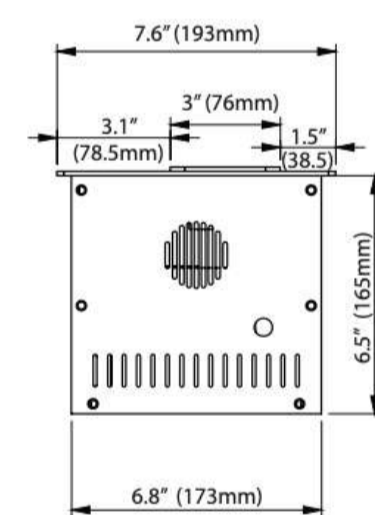
Bio Ethanol Fuel



TOP VIEW



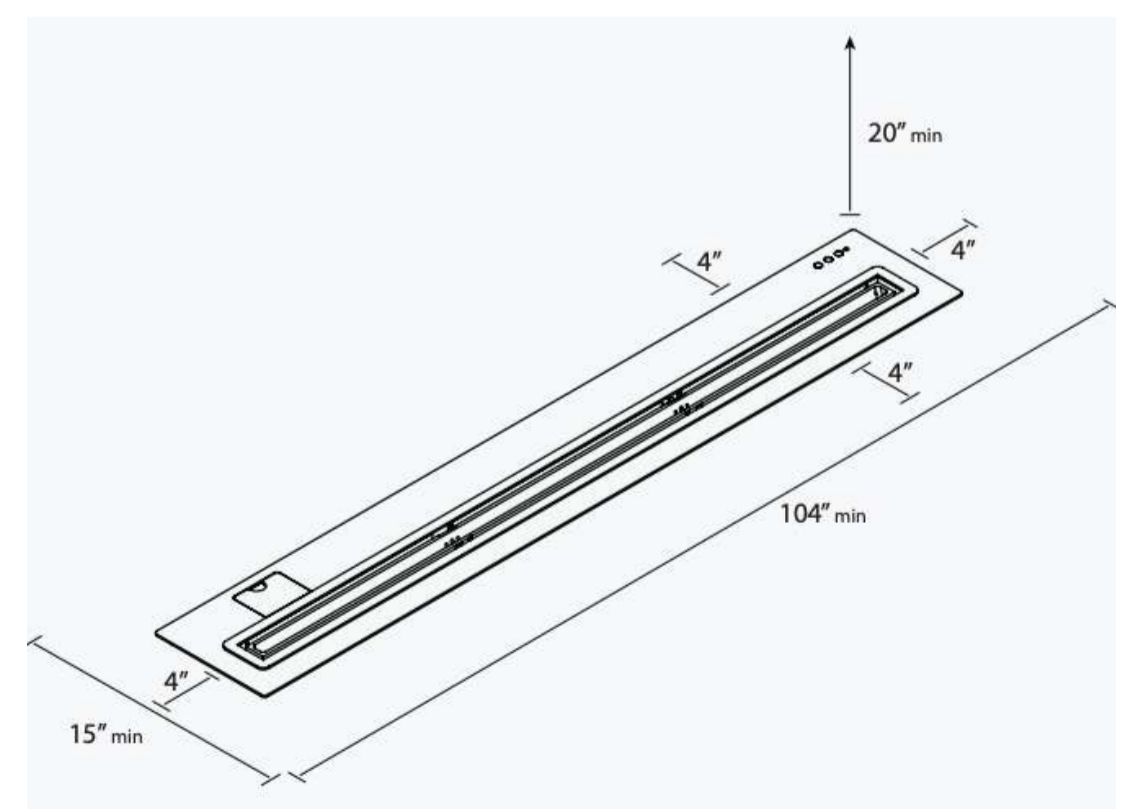
FRONT VIEW



SIDE VIEW

#### Inserting within a firebox setting:

The Bio Flame 96" RC BURNER can only be fitted into a non-combustible firebox that has minimum clearances of 104"W x 20"H x 15"D



Lifetime Warranty

FOR MORE INFORMATION PLEASE REFERENCE THE CLEARANCE & INSTALLATION MANUAL

\*Dimensions may vary by 2% (plus or minus) due to material attributes. Template not provided. The Bio Flame recommends using the actual fireplace or burner model when making final cut out

