



SCAN THE
QR CODE FOR
ASSEMBLY VIDEO

⚠ IMPORTANT SAFETY WARNINGS

The appliance is **FOR OUTDOOR USE ONLY**. It is not to be used inside a garage, other building or any type of enclosed area.

WARNING:

- All MHP Grill Heads may be mounted on the column.
- The gas supply may be either LP or Natural
- The grill head should not be attached to the column until the column and base have been completely

⚠ DANGER: IF YOU SMELL GAS

1. Shut off gas to the appliance
2. Extinguish any open flame
3. Open lid
4. If odor continues, keep away from the appliance and immediately call your gas supplier or your fire department. **Failure to follow these instructions could result in fire or explosion which could cause property damage, personal injury or death.**

⚠ WARNING: FOR YOUR SAFETY

1. Do not store or use gasoline or other flammable liquids or vapors in the vicinity of this or any other appliance
2. An LP cylinder not connected for use shall not be stored in the vicinity of this or any other appliance.
3. Follow all leak-test procedures in your owner's manual (*included with your grill head*) carefully before using. Do this even if the grill was dealer assembled. Do not try to light this appliance without reading the "Lighting" instructions.

📄 PARTS LIST:



OCOLB ALUMINUM COLUMN BOX



GG0COLRB
ALUMINUM
COLUMN



GGAC
STAINLESS STEEL
FRONT ACCESS COVER



GG0GC
STAINLESS STEEL
GREASE CUP



GG0TB
TANK LOCK BAR



GG0SB
ALUMINUM
REINFORCING BAR (QTY. 2)

HARDWARE KIT



GG0TBS
NYLON TANK BAR
SPACERS (QTY. 2)



GGM4
KEP NUTS
(QTY. 12)



GGM6
1/4 X 20" X 3/4"
HEX BOLTS (QTY. 8)



GGM11
STAINLESS STEEL
WASHERS (QTY. 10)



GGM14
1/4 X 20" X 1-1/4"
HEX BOLTS (QTY. 4)



GGM15
RECTANGULAR
WAHERS (QTY. 4)

⚙ TOOLS LIST:



ADJUSTABLE WRENCH



3/4" OPEN END
WRENCH



7/16" OPEN END
WRENCH



7/16" NUT DRIVER



RUBBER Mallet

STEP 1 CONNECTING THE TANK LOCK BAR

PARTS NEEDED



GGOCOLRB
STAINLESS STEEL
COLUMN



GGOTB
TANK LOCK BAR

TOOLS NEEDED



7/16" OPEN END

HARDWARE NEEDED



GGM4
KEP NUTS (2)



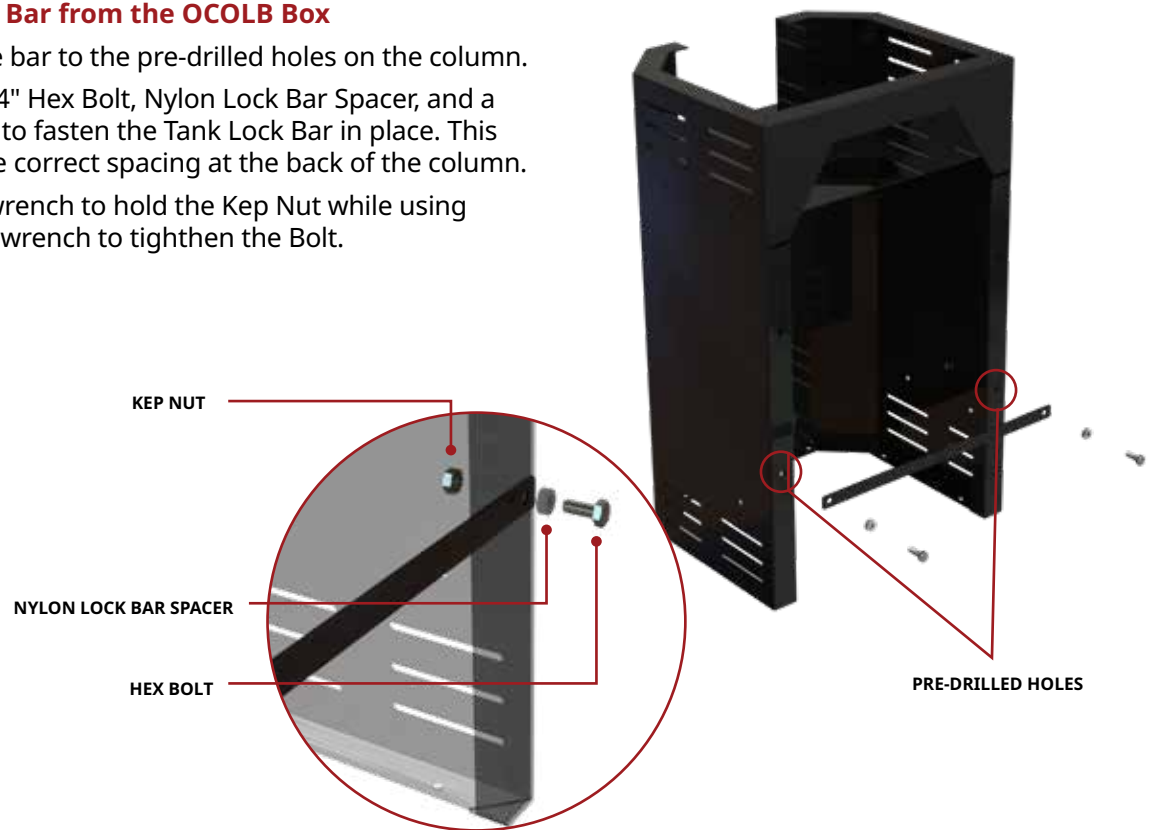
GGM6
1/4 X 20" X 3/4"
HEX BOLTS (2)



GGOTBS
NYLON TANK
BAR SPACERS

Locate the Tank Lock Bar from the OCOLB Box

- Align the holes on the bar to the pre-drilled holes on the column.
- Use the 1/4 x 20" x 3/4" Hex Bolt, Nylon Lock Bar Spacer, and a Kep Nut on each side to fasten the Tank Lock Bar in place. This spreads and holds the correct spacing at the back of the column.
- Use 7/16" open end wrench to hold the Kep Nut while using the second open end wrench to tighten the Bolt.



After connecting the tank lock bar you will then attach the base, the grill head and the gas line.

FOLLOW THE STEPS FOR YOUR SPECIFIC BASE.



OC BASE
Step 2A-OC Page 4
Step 3 Page 9
Step 4A-OC Page 10
Step 5 Page 14



OM BASE
Step 2B-OM Page 5-6
Step 3 Page 9
Step 4B-OM Page 11
Step 5 Page 14



OP BASE
Step 2C-OP Page 7-8
Step 3 Page 9
Step 4C-OP Page 12-13
Step 5 Page 14

STEP 2A-OC ATTACH THE BASE TO THE COLUMN (OC BASE)

PARTS NEEDED FROM OC BOX



SCAN THE QR CODE FOR ASSEMBLY VIDEO



OC
CAST ALUMINUM BASE



GGAXL
AXLE



GGGC
AXLE CLIPS (2)



GGWL1
6" WHEELS (2)



OCOL
HUB CAPS (2)

Included with natural gas bases only



ASPCL1
12' NATURAL GAS HOSE (Quick Disconnect)

HARDWARE NEEDED



GGM4
KEP NUTS (QTY. 6)



GGM6
1/4 X 20" X 3/4" HEX BOLTS (QTY. 6)



GGM11
STAINLESS STEEL WASHERS (QTY. 10)



GGM15
RECTANGULAR WASHERS (QTY. 4)



7/16" OPEN END WRENCH

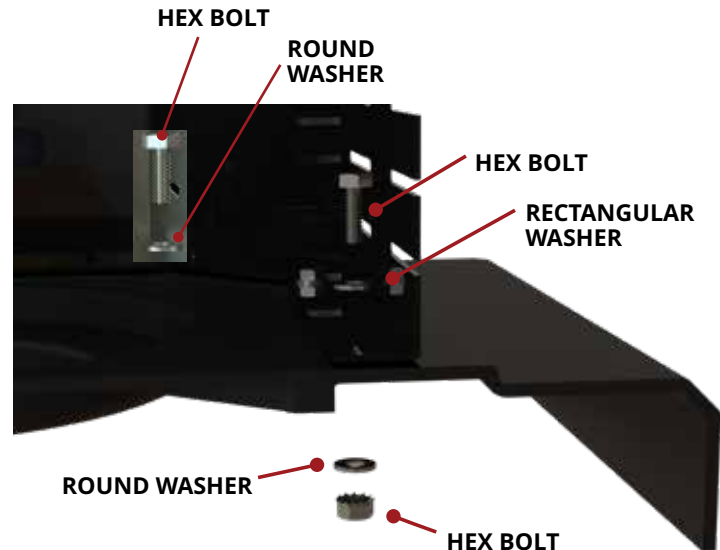


ADJUSTABLE WRENCH

TOOLS NEEDED

Attach the Column to the Base

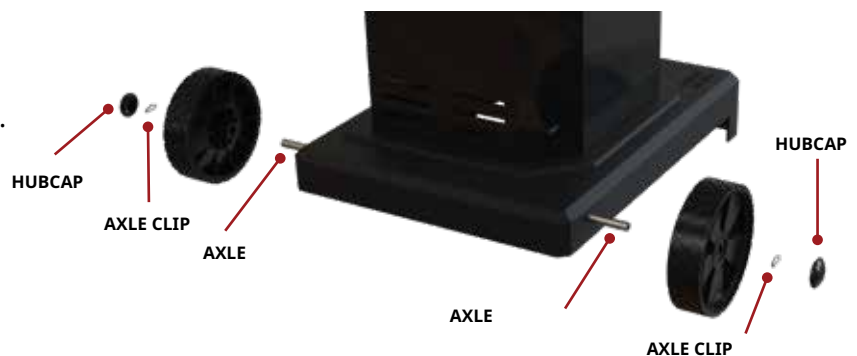
- Attaching the column to the base will be easier to handle by laying the column face down and matching the holes on the column lip to the holes on the base.
- On the left and right sides of the column**— Locate the two pre-drilled holes on either side of the column lip. Slide a 1/4 x 20" x 3/4" Hex bolt down through a rectangular washer to underside of the base through the pre-drilled hole on the column and secure using a Kep Nut.
- On the front side of the column**— Locate the two pre-drilled holes on the front side of the column lip. Slide a 1/4 x 20" x 3/4" Hex bolt down through a round washer to underside of the base through the pre-drilled hole on the column and secure using a Kep Nut.
- Use a 7/16" wrench to hold the Kep Nut while using a second adjustable wrench to tighten the bolt. **There are a total of six pre-drilled holes which should be secured.**



IMPORTANT: The large rectangular washers are used on the top of the pedestal column lip. The round washers and Kep Nuts are used under the base. Tighten securely and stand unit upright.

ATTACH WHEELS

- For accessibility, lay the column on it's side.
- Attach the wheels by slipping the axle through the pre-drilled holes in the base, slide the wheels onto the axle and secure with the axle clips.
- Finish by snapping the hub caps on before standing the unit upright.



STEP 2B-OM ATTACH THE BASE TO THE COLUMN (OM BASE)

PARTS NEEDED FROM OM BOX



SCAN THE QR CODE FOR ASSEMBLY VIDEO



OM
CAST ALUMINUM BASE



GGAXL
AXLE



GGGC
AXLE CLIPS (2)



GGWL
8" WHEELS (2)



OCOL
HUB CAPS (2)



KKWL
CASTERS (2)

Included with natural gas bases only



ASPCL1
12' NATURAL GAS HOSE
(Quick Disconnect)

HARDWARE NEEDED



GGM4
KEP NUTS
(QTY. 6)



GGM11
STAINLESS STEEL WASHERS
(QTY. 12)



GGM6
1/4 X 20" X 3/4" HEX BOLTS
(QTY. 6)



GGM15
RECTANGULAR WASHERS
(QTY. 4)

TOOLS NEEDED



7/16" OPEN END WRENCH



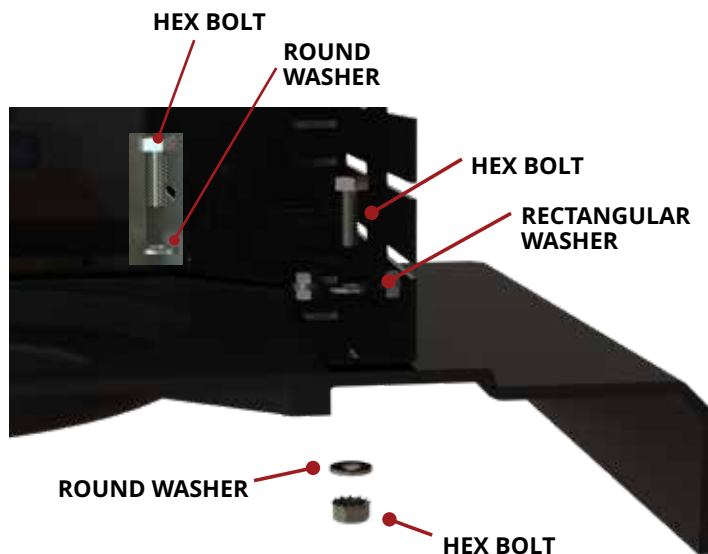
ADJUSTABLE WRENCH



RUBBER MALLET

Attach the Column to the Base

- Attaching the column to the base will be easier to handle by laying the column face down and matching the holes on the column lip to the holes on the base.
- On the left and right sides of the column**—Locate the two pre-drilled holes on either side of the column lip. Slide a 1/4 x 20" x 3/4" Hex bolt down through a rectangular washer to underside of the base through the pre-drilled hole on the column and secure using a Kep Nut.
- On the front side of the column**—Locate the two pre-drilled holes on the front side of the column lip. Slide a 1/4 x 20" x 3/4" Hex bolt down through a round washer to underside of the base through the pre-drilled hole on the column and secure using a Kep Nut.
- Use a 7/16" wrench to hold the Kep Nut while using a second adjustable wrench to tighten the bolt. **There are a total of six pre-drilled holes which should be secured.**

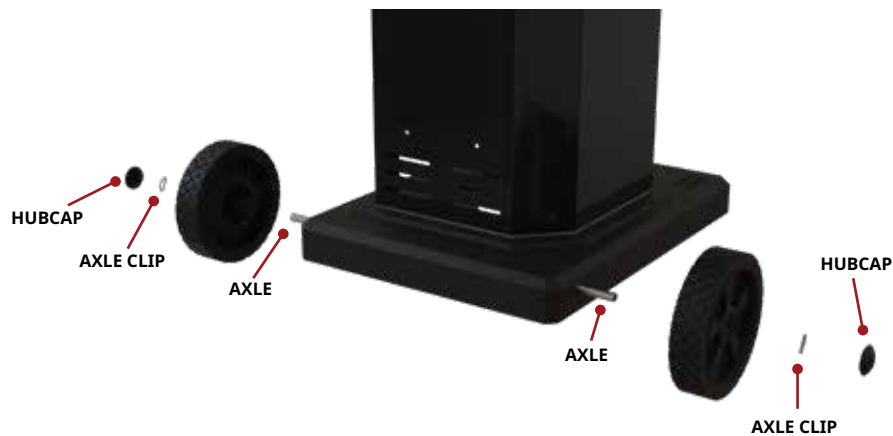


- IMPORTANT:** The large rectangular washers are used on the top of the pedestal column lip. The round washers and Kep Nuts are used under the base. Tighten securely and stand unit upright.

STEP 2B-OM ATTACH THE BASE TO THE COLUMN (OM BASE) continued

ATTACH WHEELS

- For accessibility, lay the column on it's side.
- Attach the wheels by slipping the axle through the pre-drilled holes in the base, slide the wheels onto the axle and secure with the axle clips.
- Finish by snapping the hub caps on before standing the unit upright.



PARTS NEEDED



GGWL1
8" WHEELS (2)



OCOL
HUB CAPS (2)



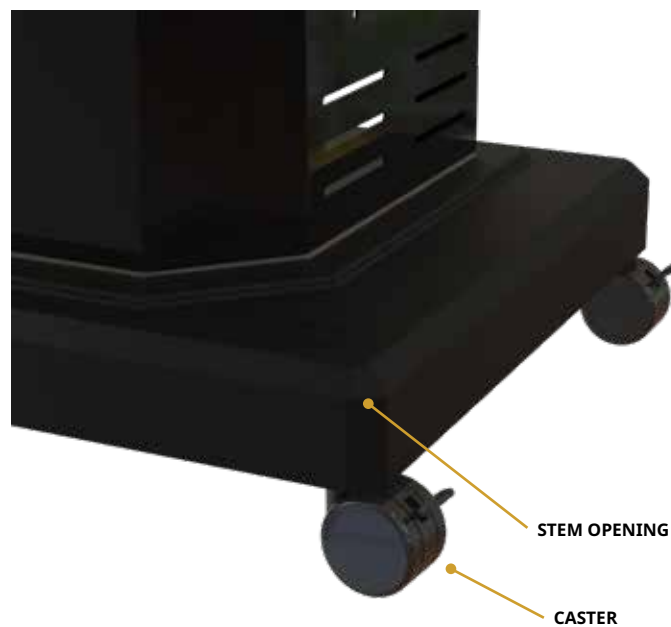
GGGC
AXLE CLIPS (2)



GGAXL
AXLE

ATTACH CASTERS

- Place caster stem into stem opening of the portable base.
- Press and tap into place using a rubber mallet, if needed.



PARTS NEEDED



KKWL
CASTERS (2)

TOOLS NEEDED



RUBBER Mallet

STEP 2C-OP ATTACH THE BASE TO THE COLUMN (OP BASE)

PART NEEDED



SCAN THE QR CODE FOR ASSEMBLY VIDEO



OP BASE
CAST ALUMINUM BASE

Included with natural gas bases only

GGCTSS
FLEX TUBE

TOOLS NEEDED



7/16" OPEN END WRENCH



ADJUSTABLE WRENCH

ADDITIONAL ITEMS NEEDED FOR PATIO BASE INSTALLATION (Not Included)



3/8" FLARE COUPLING



LAG BOLTS (2)

HARDWARE NEEDED



GGM4
KEP NUTS
(QTY. 6)



GGM6
1/4 X 20" X 3/4"
HEX BOLTS (QTY. 6)



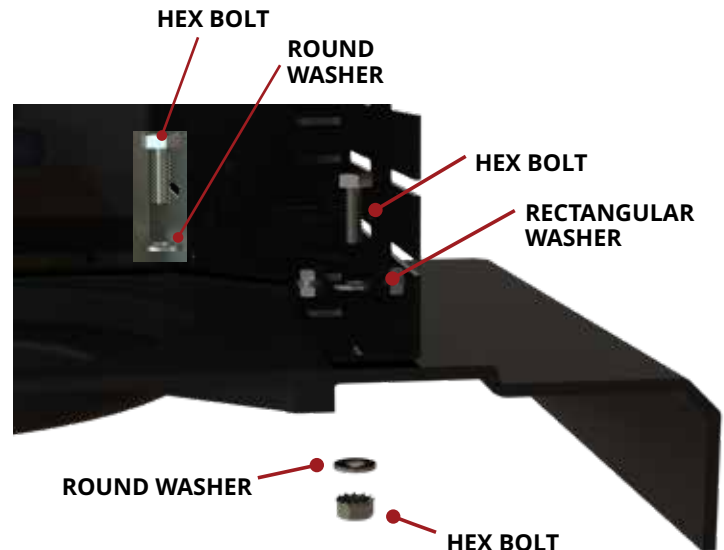
GGM11
STAINLESS STEEL
WASHERS (QTY. 10)



GGM15
RECTANGULAR WASHERS
(QTY. 4)

Attach the Column to the Base

- Attaching the column to the base will be easier to handle by laying the column face down and matching the holes on the column lip to the holes on the base.
- **On the left and right sides of the column**—Locate the two pre-drilled holes on either side of the column lip. Slide a 1/4 x 20" x 3/4" Hex bolt down through a rectangular washer to underside of the base through the pre-drilled hole on the column and secure using a Kep Nut.
- **On the front side of the column**—Locate the two pre-drilled holes on the front side of the column lip. Slide a 1/4 x 20" x 3/4" Hex bolt down through a round washer to underside of the base through the pre-drilled hole on the column and secure using a Kep Nut.
- Use a 7/16" wrench to hold the Kep Nut while using a second adjustable wrench to tighten the bolt. **There are a total of six pre-drilled holes which should be secured.**



- ⚠ **IMPORTANT:** The large rectangular washers are used on the top of the pedestal column lip. The round washers and Kep Nuts are used under the base. Tighten securely and stand unit upright.

STEP 2C-OP ATTACH THE BASE TO THE COLUMN (OP BASE) continued



The grill head should not be attached to the column until the base has been permanently mounted to a flat and level deck or patio surface. **Not recommended for use on patio pavers.**

HARDWARE NEEDED



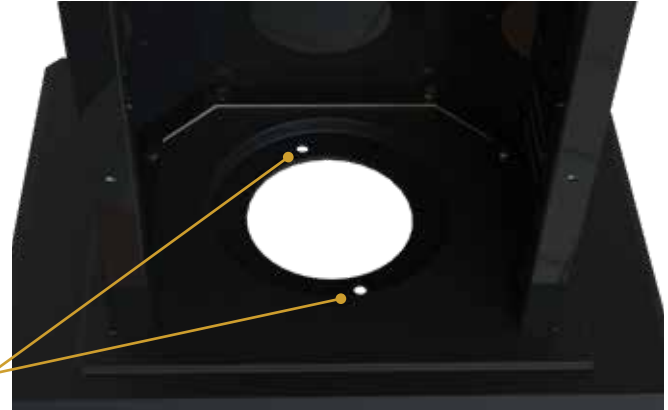
LAG BOLTS (2)
Not supplied by MHP

Use appropriate
Lag Bolts for
your application

SECURE THE BASE (FOR LP GAS INSTALLATIONS)

- **Choose a location where you are going to set up your grill.** Make sure the surface is flat and level and be certain that there are no combustible materials above, behind, left or right closer than 18" away.
- Insert a Lag Bolt into the two pre-drilled holes located around the center cutout on the OP base.
- Securely tighten lag bolts so that base and column are stabilized.

LAG BOLT HOLES



SECURE THE BASE (FOR NATURAL GAS INSTALLATIONS)

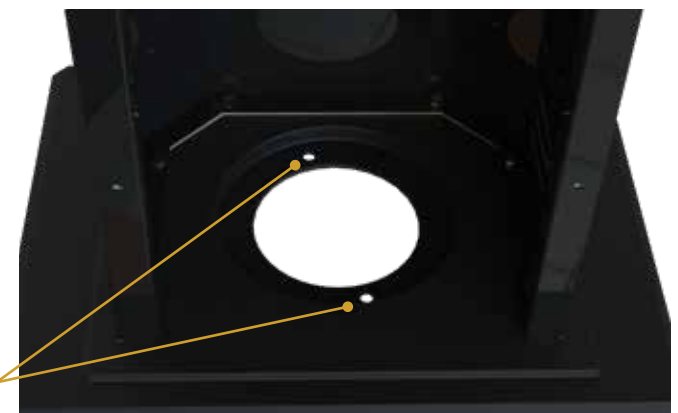
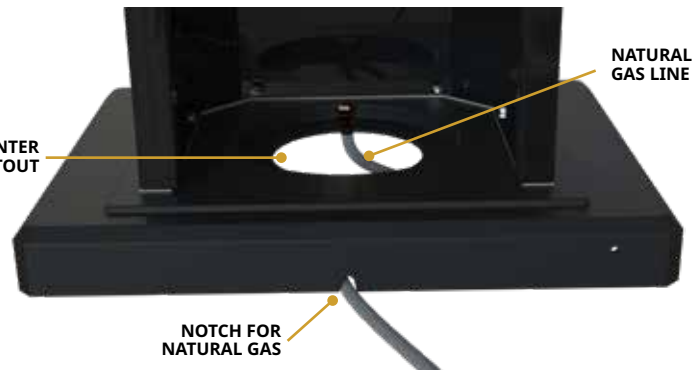
- **Choose a location where you are going to set up your grill.** Make sure the surface is flat and be certain that there are no combustible materials above, behind, left or right closer than 18" away.
- Run your natural gas line through the notch located on the back side of the OP base and continue it up through the center cutout. **Directions for connecting the natural gas line to the GCTSS flexible tubing is outlined in Step 3B-OP on page 12.**
- Insert a Lag Bolt into the two pre-drilled holes located on the sides of the center cutout of the OP base.
- Securely tighten lag bolts so that base and column are stabilized.

CENTER CUTOUT

NATURAL GAS LINE

NOTCH FOR NATURAL GAS

LAG BOLT HOLES



STEP 3 CONNECT THE GRILL HEAD BOTTOM



If you are using an **OP Base** the grill head should not be attached to the column until the base has been permanently mounted to a deck or patio surface. **If this has not been done, see step 3X-OP for steps to secure the OP base.**

HARDWARE NEEDED

TOOLS NEEDED



GGM4
KEP NUTS
(QTY. 4)



GGM14
1/4 X 20" X 1-1/4"
HEX BOLTS (QTY. 4)



GGM11
STAINLESS STEEL
WASHERS (QTY. 4)



GGOGC
STAINLESS STEEL
GREASE CUP



GGOSB
ALUMINUM
REINFORCING BAR (QTY. 2)



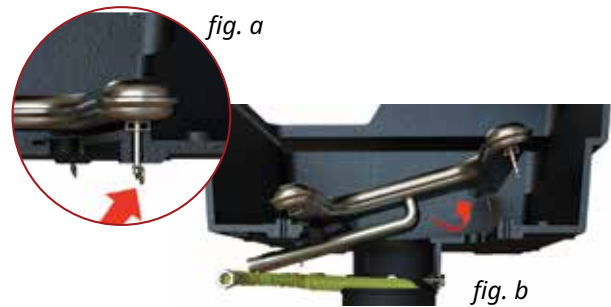
7/16" OPEN
END WRENCH



7/16" NUT DRIVER

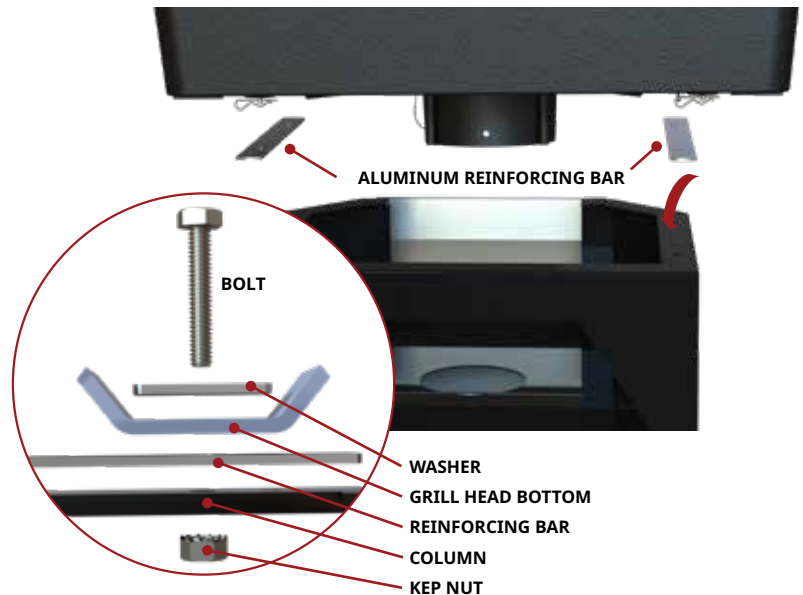
Remove the Burner (optional)

- Remove the grill burner by taking out the cotter pins located under the bottom grill head (fig. a)
- Pull the burner up and out of the the grill head (fig. b). This will allow access to hold the Kep nuts inside the post while attaching the bottom casting.



Attach the Grill Head

- With the column in the upright position, carefully place the aluminum reinforcing bars between the grill head bottom and the column and align all pre-drilled holes on the grill bottom, reinforcing bar and the column.
- Use a 1/4 x 20" x 1-1/4" Hex bolts and washer through each of four pre-drilled holes in the bottom of the grill head through the reinforcing bars and the top column lip.
- On the underside of the column lip, secure each of the Hex bolts with a Kep Nut. Use a 7/16" nut driver to hold the Hex Bolt inside the grill while tightening the Kep Nut on the underside of the grill head using a 7/16" Open-End Wrench or Socket Wrench.



Install the Grease Cup

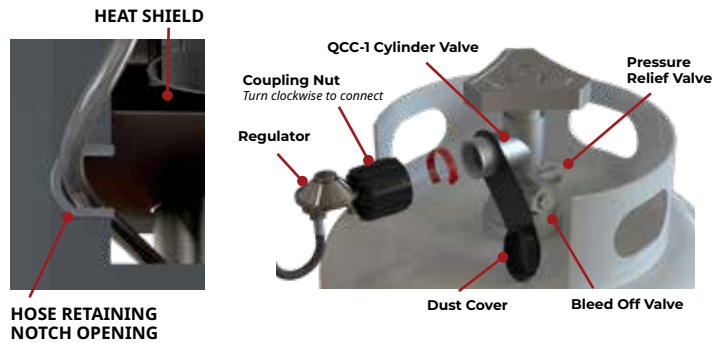
- With the column in the upright position, locate the grease cup opening which can be accessed from the back side of the grill.
- Drop the grease cup into the opening.
- The grease cup should fit snugly into place.



STEP 4A-OC CONNECTING THE GAS SUPPLY LINE (OC BASE)

CONNECT THE GAS LINE (FOR LP GAS INSTALLATIONS)

- The LP Hose and Regulator are factory-installed onto your grill head's LP Valve
- Make sure your gas line runs through the hose retaining notch opening and continues under the heat shield as shown in the picture.
- Attach the LP Regulator to your propane tank and securely hand tighten the coupling nut to the cylinder valve.
- Before using your grill check for any gas leaks with a soap and water solution before using your grill.



CONNECT THE GAS LINE (FOR NATURAL GAS INSTALLATIONS)

TOOLS NEEDED



3/4" OPEN END



ADJUSTABLE WRENCH

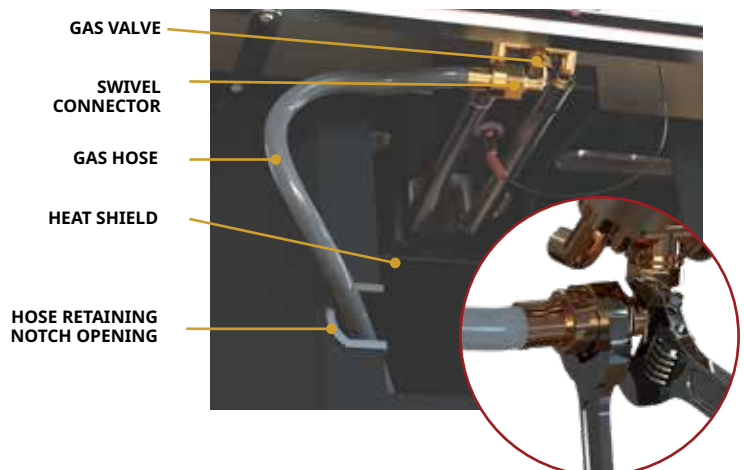
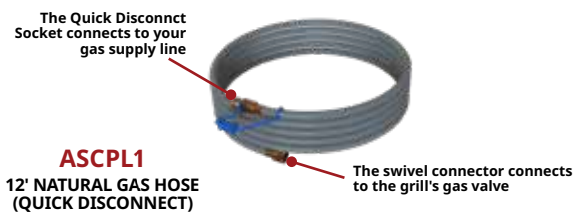


When installing a new gas line, it is recommended that you contact a plumber, heating contractor or licensed gas fitter to install your new gas line to meet local building code. Be certain there are no combustible materials closer than 18" away (above, behind, left or right) from your assembled grill.

- ⚠ **The gas supply line must be regulated** (in the case of natural gas that means it should be connected after your gas meter and regulator) **and you must have an easily accessible main shut-off valve to your grill's gas supply.** Grills are designed to operate on a pressure of 7" w.c. in. for Natural or 11" w.c. in. for Propane at the grill valve connection.

- Attach the swivel connector end of the ASPCL1 hose to the gas valve located under the control panel.
- Make sure your gas line runs through the hose retaining notch opening and continues under the shelf as shown.
- The socket (quick disconnect) end of the ASPCL1 hose attaches to your gas supply line at your gas supply line's shut-off valve. Depending on the size of your gas line you may need a reducer (not supplied by MHP) to connect your gas line to the quick disconnect socket (3/8" male pipe thread).
- Tighten all gas connections securely. The use of two wrenches is recommended—one wrench is used to hold fitting while the other is used to tighten.
- Before using your grill check for any gas leaks with a soap and water solution before using your grill.

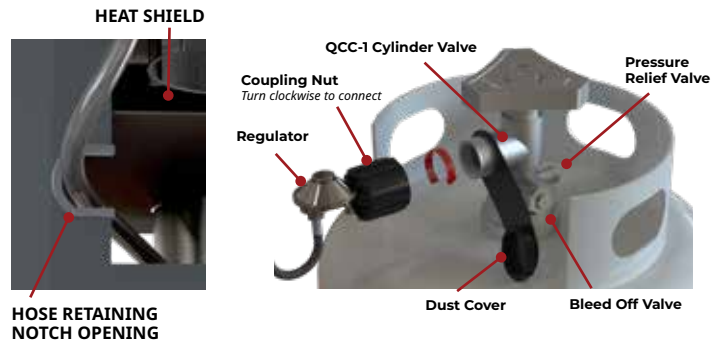
INCLUDED WITH NATURAL GAS BASES



STEP 4B-OM CONNECTING THE GAS SUPPLY LINE (OM BASE)

CONNECT THE GAS LINE (FOR LP GAS INSTALLATIONS)

- The LP Hose and Regulator are factory-installed onto your grill head's LP Valve
- Make sure your gas line runs through the hose retaining notch opening and continues under the heat shield as shown in the picture.
- Attach the LP Regulator to your propane tank and securely hand tighten the coupling nut to the cylinder valve.
- Before using your grill check for any gas leaks with a soap and water solution before using your grill.



CONNECT THE GAS LINE (FOR NATURAL GAS INSTALLATIONS)

TOOLS NEEDED



3/4" OPEN END



ADJUSTABLE WRENCH



When installing a new gas line, it is recommended that you contact a plumber, heating contractor or licensed gas fitter to install your new gas line to meet local building code. Be certain there are no combustible materials closer than 18" away (above, behind, left or right) from your assembled grill.

- ⚠ **The gas supply line must be regulated** (in the case of natural gas that means it should be connected after your gas meter and regulator) **and you must have an easily accessible main shut-off valve to your grill's gas supply.** Grills are designed to operate on a pressure of 7" w.c. in. for Natural or 11" w.c. in for Propane at the grill valve connection.

- Attach the swivel connector end of the ASPCL1 hose to the gas valve located under the control panel.
- Make sure your gas line runs through the hose retaining notch opening and continues under the shelf as shown.
- The socket (quick disconnect) end of the ASPCL1 hose attaches to your gas supply line at your gas supply line's shut-off valve. Depending on the size of your gas line you may need a reducer (not supplied by MHP) to connect your gas line to the quick disconnect socket (3/8" male pipe thread).
- Tighten all gas connections securely. The use of two wrenches is recommended—one wrench is used to hold fitting while the other is used to tighten.
- Before using your grill check for any gas leaks with a soap and water solution before using your grill.

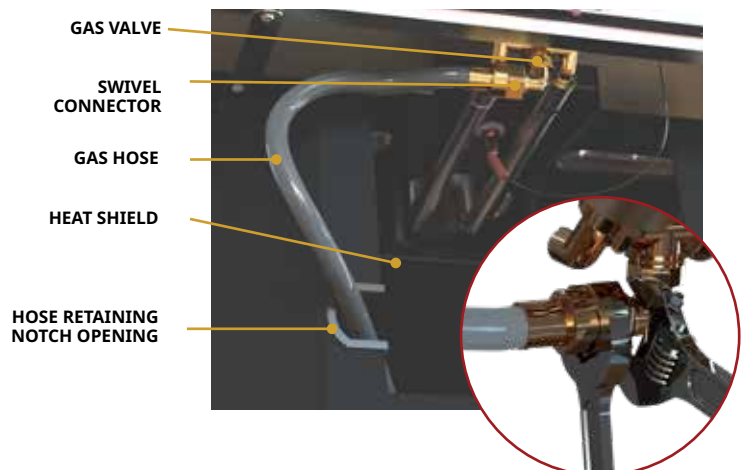
INCLUDED WITH NATURAL GAS BASES

The Quick Disconnect Socket connects to your gas supply line



ASCPL1
12' NATURAL GAS HOSE (QUICK DISCONNECT)

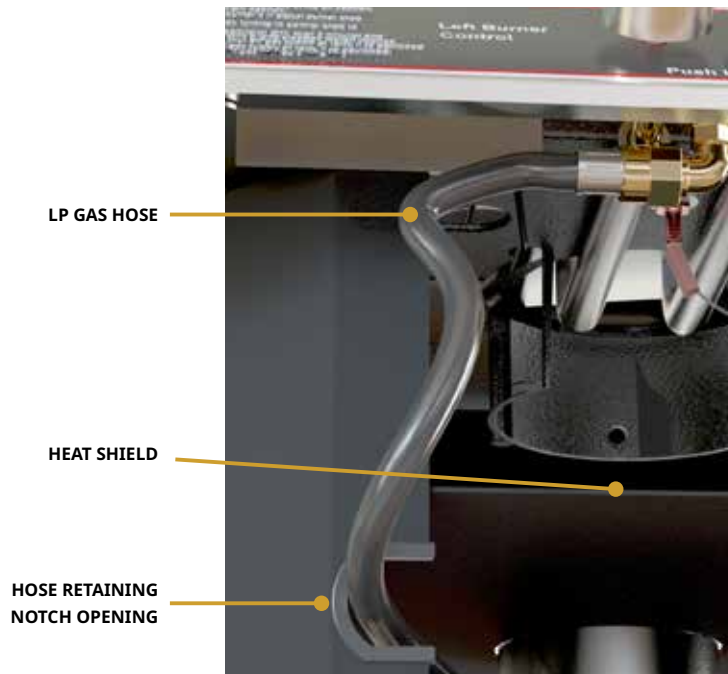
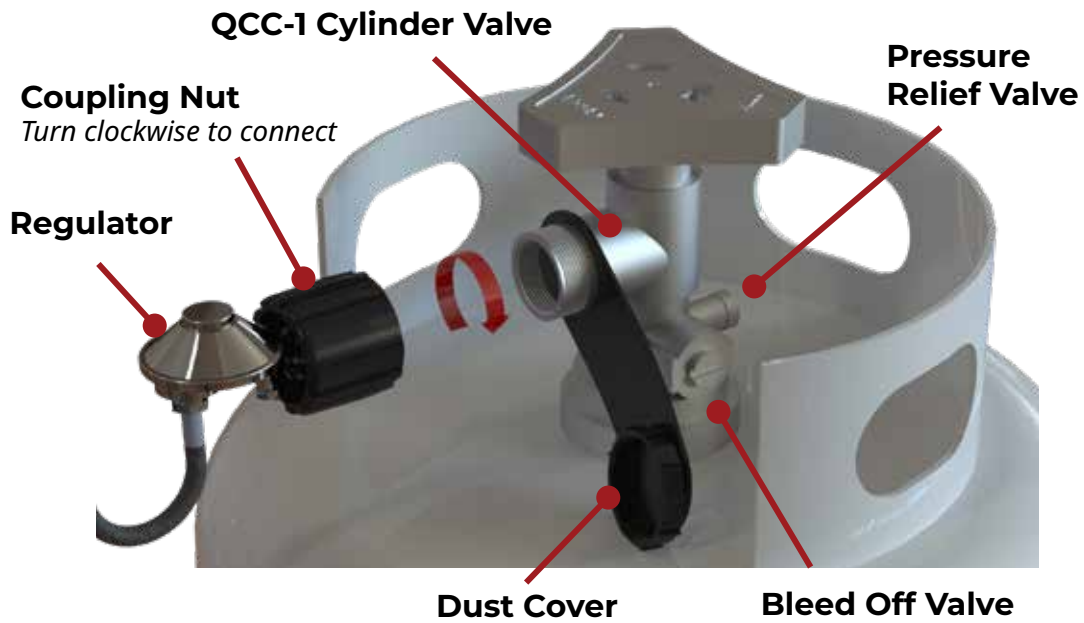
The swivel connector connects to the grill's gas valve



STEP 4C-OP CONNECTING THE GAS SUPPLY LINE (OP BASE)

CONNECT THE GAS LINE (FOR LP GAS INSTALLATIONS)

- The LP Hose and Regulator are factory-installed onto your grill head's LP Valve
- Attach the LP Regulator to your propane tank and securely hand tighten the coupling nut to the cylinder valve.
- Before using your grill check for any gas leaks with a soap and water solution before using your grill.



STEP 4C-OP CONNECTING THE GAS SUPPLY LINE (OP BASE) continued

CONNECT THE GAS LINE (FOR NATURAL GAS INSTALLATIONS)



When installing a new gas line, it is recommended that you contact a plumber, heating contractor or licensed gas fitter to install your new gas line to meet local building code. Be certain there are no combustible materials closer than 18" away (above, behind, left or right) from your assembled grill.

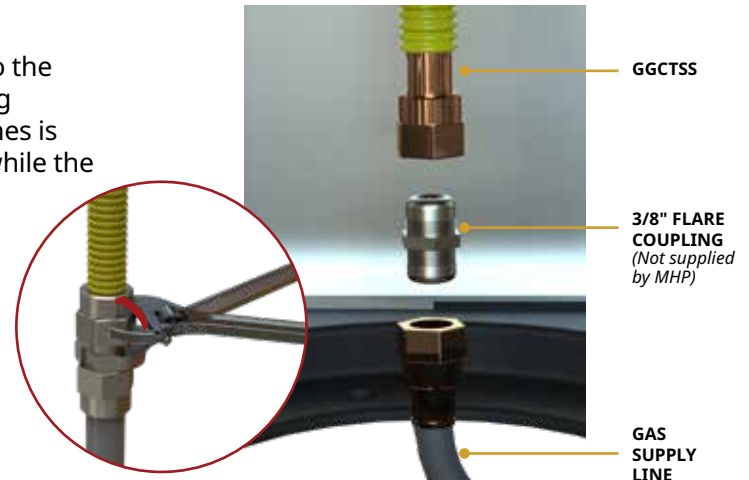
| PARTS NEEDED | TOOLS NEEDED |
|---|---|
|  GGCTSS FLEX TUBE |  3/4" OPEN END |
|  3/8" FLARE COUPLING (Not supplied by MHP) |  ADJUSTABLE WRENCH |

⚠ **The gas supply line must be regulated** (in the case of natural gas that means it should be connected after your gas meter and regulator) **and you must have an easily accessible main shut-off valve to your grill's gas supply.** Grills are designed to operate on a pressure of 7" w.c. in. for Natural or 11" w.c. in for Propane at the grill valve connection.

Attach Natural Gas Line to the GGCTSS Flex Tube

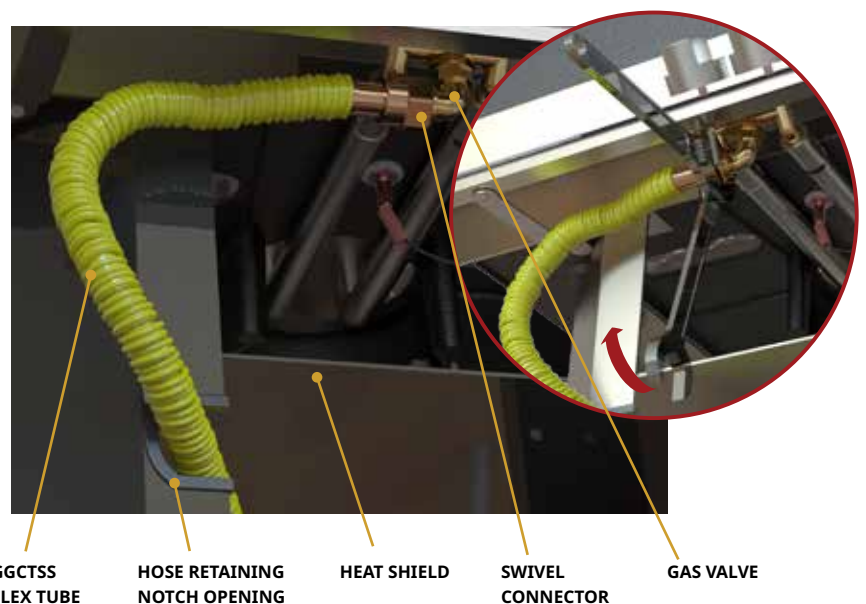
- Connect a 3/8" flare coupling (not supplied by MHP) to the gas supply line then the flexible stainless-steel tubing (GGCTSS) using a 3/4" wrench. The use of two wrenches is recommended—one wrench is used to hold fitting while the other is used to tighten.

- ⚠ **Tighten very securely as flare fittings are a metal-upon-metal surface seal and no additional gas sealant is needed.**



Attach the GGCTSS Flex Tube to the Gas Valve

- Attach the swivel connector end of the GGCTSS Flex Tube to the gas valve located under the control panel.
- Make sure your gas line runs through the hose retaining notch opening and continues under the shelf as shown.
- Tighten all gas connections securely. The use of two wrenches is recommended—one wrench is used to hold fitting while the other is used to tighten.
- Before using your grill check for any gas leaks with a soap and water solution before using your grill.



STEP 5 ATTACHING THE ACCESS PANEL



Do not attach the front access panel until the control panel has been attached to the grill head bottom and the gas supply line has been properly connected and leak tested.

Attach the Access Panel Cover

- The front access panel cover attaches directly under the control panel and hides the access opening.
- Lift the access panel up behind the lip of the control panel (*fig. a*).
- Slip the bottom double edge of the access panel cover over the edge of the access opening (upward pressure may be needed) (*fig. b*).



GGAC
STAINLESS STEEL
FRONT ACCESS COVER



fig. a



fig. b

Visit your local dealer or our online store
www.mhponlinestore.com

Enhance Your Grill

Our premium accessories have been designed specifically for our grills with quality materials and craftsmanship



BEER CAN CHICKEN ROASTER

Grill up a tender but juicy whole chicken infused with your favorite beer, wine, juice or marinade. beverage can easily fit in the can support ring.

Nickel-plated and dishwasher-safe.

CCR



STAINLESS STEEL SPATULA

This heavy-duty stainless steel spatula is specially curved for perfect flips everytime. Features a solid wood grip handle and a sturdy stainless steel hanger ring for easy storage. 18" long (end-to-end).

SF1



STAINLESS STEEL SMOKER BOX

Easily add authentic wood smoke flavor to your food with this smoker box designed to work with all MHP Grills. Insert moistened wood chips (*not included*) for your favorite smoke flavor. Stainless steel construction with a removable vented lid.

SSST



JALAPEÑO PEPPER TRAY

Holds up to 24 jalapeño peppers. Stainless steel. *American made.*

JPT

SAUSAGE STUFFED JALAPEÑO PEPPERS

(makes 12 stuffed peppers)

Ingredients:

- 12 Jalapeño Peppers
- 1/2 pound cooked bulk pork sausage
- 4 oz cream cheese
- 1/2 cup shredded Parmesan cheese
- Serve with your favorite prepared ranch dressing (optional)

Instructions:

- Cut top off jalapeno peppers, remove the seeds & membranes
- Brown sausage in a skillet
- Mix cream cheese, Parmesan cheese, and sausage
- Stuff jalapeños with combined cheese & sausage mixture then replace jalapeno caps
- Place stuffed pepper in your jalapeño pepper tray

Preheat your grill to 350° and grill for 30 minutes. During this time the spicy heat will be cooked from the pepper and you can enjoy your jalapenos.

Clean and Maintain Your Grill

Keep your grill running smoothly with these accessories designed specifically to work with your MHP Grill.



Brass Bristle SearMagic Cooking Grid Brush
GGWB10



21" Stainless Steel Handle Brass Bristle Brush
WB8



Replacement Brass Bristle Brush Head
WB8RH



Stainless Steel Grill Cleaner
SCC



Make the most out of your grilling experience!

From side burners and rotisseries to grill covers and more—
we carry a complete line of grill upgrades, accessories and grill parts
designed specifically for your MHP Grill.


»» Visit MHPGrills.com for more information

TECHNICAL SUPPORT

Modern Home Products

150 South Ram Road • Antioch, IL 60002
847.395.6556 • 888.647.4745

Customerservice@mhpgrills.com • www.mhpgrills.com

 **California Proposition 65 Warning:** This product can expose you to chemicals including Chromium (hexavalent compounds), which are known to the State of California to cause cancer and birth defects or other reproductive harm. For more information go to: www.P65Warnings.ca.gov.