



JNR GAS GRILL HEAD

Assembly Manual



SCAN THE
QR CODE FOR
ASSEMBLY VIDEO

English

⚠ IMPORTANT SAFETY WARNINGS

The appliance is **FOR OUTDOOR USE ONLY**. It is not to be used inside a garage, other building or any type of enclosed area. Combustible materials should never be within 18 inches of the bottom, back or sides of your MHP Gas Barbecue Grill.

- The JNR Grill head is specifically designed to fit these MHP mounting options.
 - JC4 Four Legged Open Cart
 - MPP In-ground Post
 - MPB Patio/Deck Base
 - OCOL/OCOLB with OM Base
 - OCOL/OCOLB with OP Base
 - OCOL/OCOLB with OC Base
- The gas supply may be either LP or Natural Gas



Make sure your base is assembled before continuing. The base assembly instructions should be included with your base.

Visit our website mhpgrills.com/info/owners-manuals/ for a complete list of assembly videos & manuals

⚠ DANGER: IF YOU SMELL GAS

1. Shut off the main gas supply to the grill
2. Extinguish any open flame
3. Open lid
4. If odor continues, keep away from the grill and immediately call your gas supplier or your fire department. **Failure to follow these instructions could result in fire or explosion which could cause property damage, personal injury or death.**

⚠ WARNING: FOR YOUR SAFETY

1. Do not store or use gasoline or other flammable liquids or vapors in the vicinity of this or any other appliance
2. An LP cylinder not connected for use should not be stored in the vicinity of this or any other appliance.
3. Follow all leak-test procedures on page 10 of this manual carefully before using. Do this even if the grill was dealer assembled. **Do not test for leaks with a match or any open flame.** Do not try to light this grill without reading the "Lighting" instructions.

📦 BOXES/BAGS:

You should have the following boxes/bags containing the different parts and hardware needed to assemble your grill.



HH-GRATE-SS
Briquette Grate



OR



▲ **JNR-SEAR-PK**
SearMagic Cooking Grids
◄ **HH-SS-GRID2**
Stainless Steel Cooking Grid



JNR-LP
Control Panel for LP Gas Grill
(includes hose and regulator)

OR



JNR-NAT
Control Panel for Natural Gas Grill



HHDSK
Side Shelf Kit



OWNER'S MANUAL BAG

- Includes:
- Owner's Manual
 - Temperature Gauge
 - Venturi Tube Cleaner
 - (2) Lid Pivot Pins



BRIQUETTE BAG
53 Briquettes



END CAPS/HANDLE
Includes hardware

🔧 TOOLS LIST:



ADJUSTABLE WRENCH



3/4" COMBINATION WRENCH



7/16" COMBINATION WRENCH (2)



3/8" COMBINATION WRENCH



PHILLIPS SCREWDRIVER

ASSEMBLY PREPARATION



Choose a Location where you are going to set up your grill. Make sure there is enough room and you have a flat surface. Improper assembly may be dangerous. Please carefully follow the assembly instructions in this manual.

- Place the box facing up
- Remove the packaging material followed by the grill head components
- Set the components on a flat surface
- **Check to see if all components are included and that you have the appropriate tools to begin the assembly.** Remove all components and discard the box.



At this point you should already have your bottom casting attached to your mounting (See your mounting assembly manual for these steps).

Make sure your base is assembled before continuing. The base assembly instructions should be included with your base.

Visit our website mhpgrills.com/info/owners-manuals/ for a complete list of assembly videos & manuals



STEP 1 INSTALLING THE CONTROL PANEL



JNR-LP
Control Panel for LP Gas Grill
(includes hose and regulator)

PARTS INCLUDED IN BOX:



CONTROL PANEL ASSEMBLY



BRACKETS (2)



KEP NUTS (6)

TOOLS NEEDED:



PHILLIPS SCREWDRIVER



7/16" COMBINATION WRENCH



JNR-NAT
Control Panel for Natural Gas Grill



PHILLIPS HEAD BOLTS (2)



BATTERY



PUSH BUTTON



KNOBS (2)



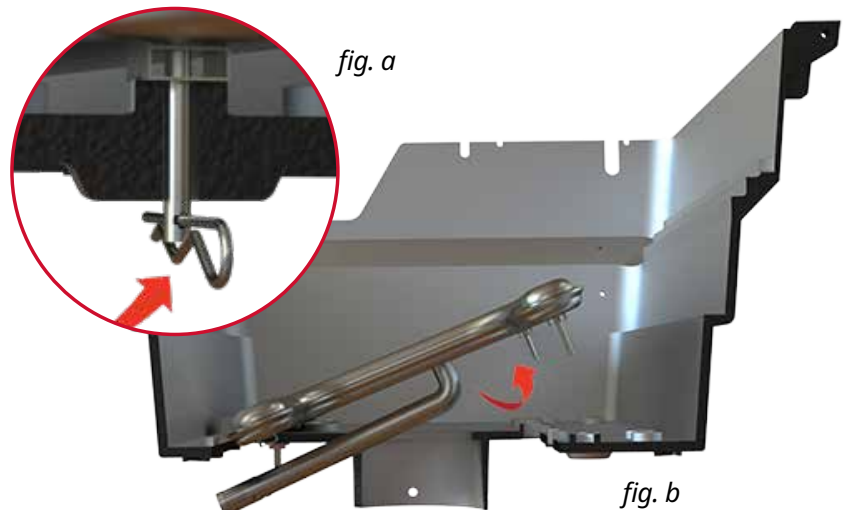
LP GAS HOSE & REGULATOR
Included with LP Gas Grills only (pre-attached)



VENTURI CLEANER

Remove the Burner

- Remove the grill burner by taking out the two small cotter pins located on the underside of the bottom grill casting (fig. a)
- Pull the burner up and out of the grill head (fig. b).



CONTINUED ►

STEP 1 INSTALLING THE CONTROL PANEL, CONTINUED

Attaching the Control Panel Assembly to the Front of the Bottom Casting

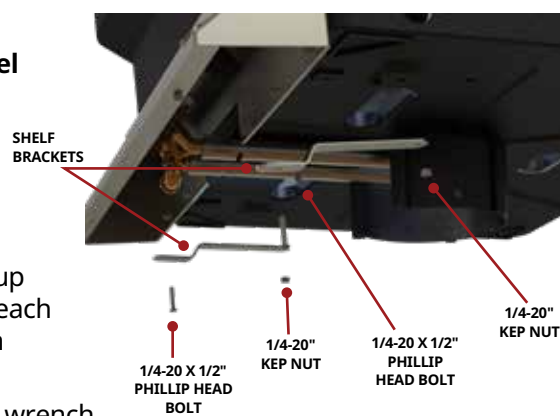
- Attach the complete control panel assembly to the front of the grill bottom casting with two 1/4-20 Kep Nuts and hand tighten
- Make sure the valve orifices on the control panel align with the burner venturi correctly and that the venturi tubes go over the valve orifices at least 1/4" to 3/8". (see Valve Stem Engagement below)
- Tighten all nuts using a 7/16" combination wrench



Connecting the Control Panel Support Brackets

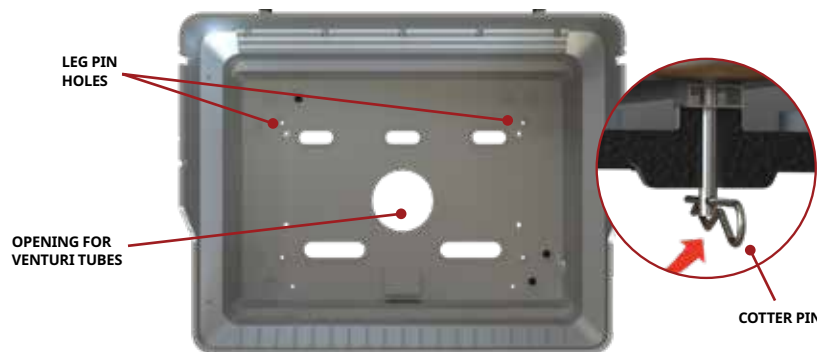
Two support brackets are connected beneath the control panel to the grill bottom casting for added support.

- Push 1/4 - 20 x 1-1/4" Phillips Head Bolts down through the grill bottom casting from the inside and continue through the **back hole** on the support brackets. Secure the brackets with 1/4 - 20 Kep Nuts.
- Attach the control panel to the support brackets by pushing up a 1/4 - 20 x 1/2" Phillips Head Bolt through the **front hole** of each support bracket and the lower lip of the control panel. Fasten brackets with a 1/4-20 Kep Nut.
- Tighten all nuts using a screwdriver and a 7/16" combination wrench



Reinstall the Burner

- Drop the burner into the bottom of the grill casting making sure the venturi tubes go through the bottom opening.
- The burner leg pins should align with the predrilled holes in the bottom of the grill pit.
- Reattach small cotter pins onto the burner leg pins



Venturi Engagement

At the top end of each valve there is a tiny gas opening known as the orifice. Gas exits the orifice and enters a venturi where it mixes with air coming in from the side air shutter. The proper mixture of air and gas produces a clean blue flame at the burner.

- **Make sure the valve orifice on the control panel aligns with the burner venturi tube correctly. The orifice should fit into the venturi tube 1/4" to 3/8".**



CORRECT



INCORRECT

STEP 1 INSTALLING THE CONTROL PANEL, CONTINUED

Ignitor Wire Connection

Attach the wire from the ignitor module, located behind the control panel, to the porcelain insulator found on the underside of the bottom casting.

- ⚠ Be careful not to crack the delicate porcelain insulator



Attach Knobs to Control Panel

Attach the two control knobs to the grill by pushing them down securely onto the valve stems.



Battery Installation

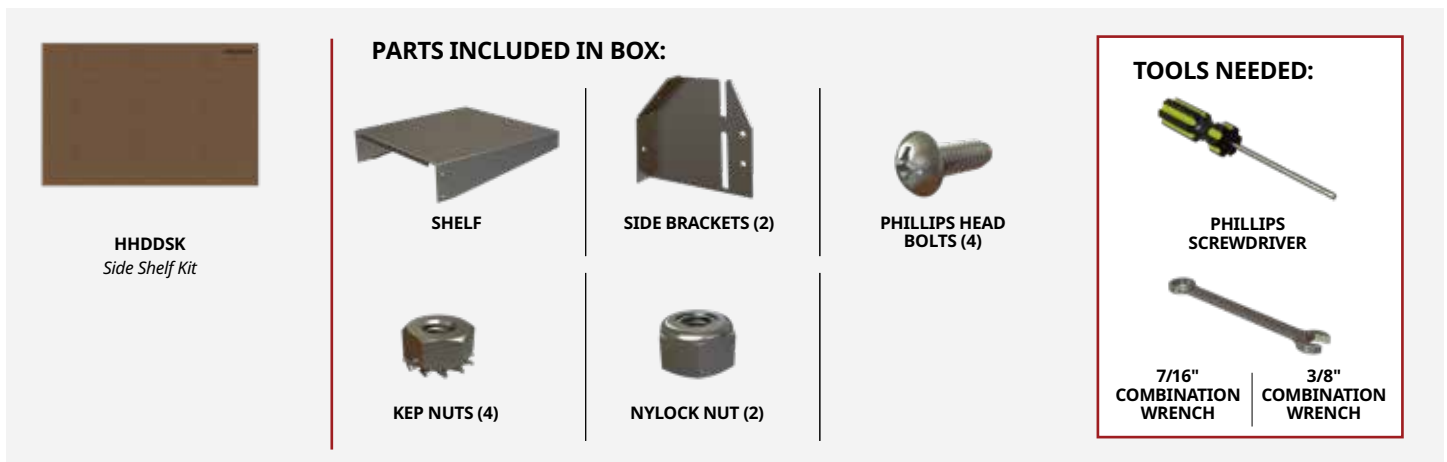
- Place the AAA battery "+" side down into the ignitor module.
- Install push button over the battery and turn clockwise to tighten in place.



Connect the Gas Supply

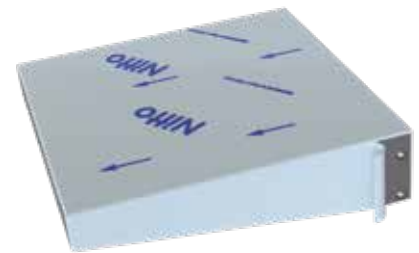
Please reference the assembly manual that came with your grill mounting for directions on connecting the gas supply to your grill.

STEP 2 INSTALLING THE SIDE SHELF



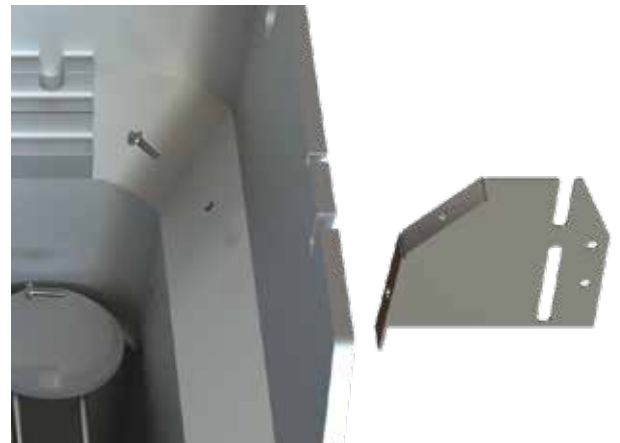
Remove Plastic Protective Sticker

Before installing the side shelf, remove the plastic protective sticker from all sides of the shelf and shelf brackets.



Mount Side Shelf Brackets

- Shelf can be mounted to left or right side of grill
- Locate the side brackets and mount the brackets to the side of the grill.
- Attach the brackets using the supplied Phillips Head Bolts and Kep Nuts (2 Phillips Head Bolts and Kep Nuts per bracket).
- Insert the Phillips Head Bolts into the pre-drilled holes from the inside of the bottom casting and attach the Kep Nuts on the outside.
- Tighten the Kep Nuts while making sure the brackets remain parallel with the grill using a screwdriver and a 7/16" combination wrench.



Attach the Side Shelf

Once both brackets are in place, attach the Side Shelf.

- Place the left bottom shelf threaded screw into the left bottom bracket slot.
- Gently spread the shelf apart to insert the right bottom shelf threaded screw into the right bottom bracket slot.
- **Tighten Nylock Nuts on the bottom threaded screws using a screwdriver and a 3/8" combination wrench.** Make sure the nuts are snug but do not restrict movement of folding and unfolding of the shelf.



- ④ **Top threaded screws on shelf do NOT use nuts.**

STEP 3 INSTALLING THE BRIQUETTE GRATE



HH-GRATE-SS
Briquette Grate

PARTS INCLUDED IN BOX:



STAINLESS STEEL
BRIQUETTE GRATE

Install the Stainless Steel Briquette Grate by placing it into the bottom grill casting. The grate should rest level on the shelf edge just above the burner.



STEP 4 INSTALLING THE BRIQUETTES



BRIQUETTE BAG
53 Briquettes

- Place the porcelain briquettes on top of the grate.
 - Place one at a time
 - Carefully place the porcelain briquettes on the grate in the pattern shown making sure to only have one layer.
 - This pattern helps to distribute heat evenly and reduce flare-ups.
- ⚠ **The bag includes 53 briquettes—you will need all 53 to fill the briquette grate properly.**



STEP 5 ATTACHING THE TOP CASTING



PARTS NEEDED:



OWNER'S MANUAL BAG
You will find the parts you need in the bag with your owner's Manual

- ⚠ **It is recommended someone assist you with this step.**



LID PIVOT PINS



HITCH PINS

Attach the Top Casting

- Locate the top casting for your grill and place it on the back of the bottom casting, aligning the two back hinges.
- Slide the Lid Pivot Pin through both hinge holes and secure with a Hitch Pin.
- Repeat on opposite side.



STEP 6 ATTACHING THE FRONT HANDLE



END CAPS/HANDLE
Includes hardware

PARTS INCLUDED IN BOX:



HANDLE



END CAP ASSEMBLY (2)

Each End Cap Includes:

- End Cap
- Graphite Gasket
- 1/4-20 x 1-1/2" Hex Bolt
- Kep Nut

TOOLS NEEDED:

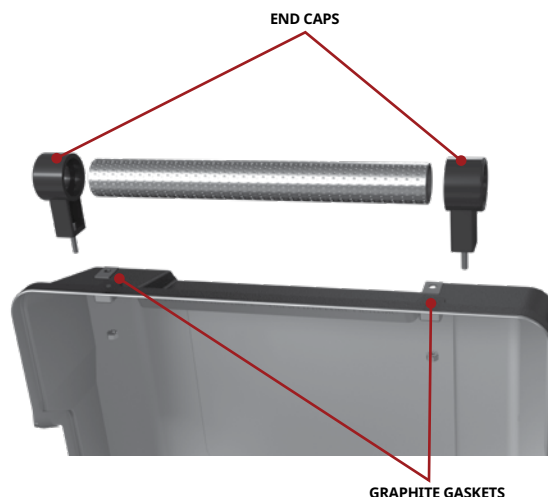


**7/16" COMBINATION
WRENCH (2)**

- ⚠️ **Install one end cap first, followed by the center shaft handle, then enclose it by securing the second end cap.**

Attaching the Handle

- Attach the first end cap to the grill lid using a 1/4-20 x 1-1/2" Hex Bolt and Kep Nut making sure that the Graphite Gasket (purple element) is positioned between the end cap and the grill lid as shown.
- Tighten the end cap by using two 7/16" Combination Wrenches— one to hold the bolt head and one to tighten the Kep Nut.
- Insert the handle into both the installed end cap and second end cap
- Install the second end cap using the same method as outlined above.



STEP 7 INSTALLING THE TEMPERATURE GAUGE



OWNER'S MANUAL BAG
The Temperature Gauge is included in the Owner's Manual bag

PARTS NEEDED:



TEMPERATURE GAUGE ASSEMBLY

Includes:

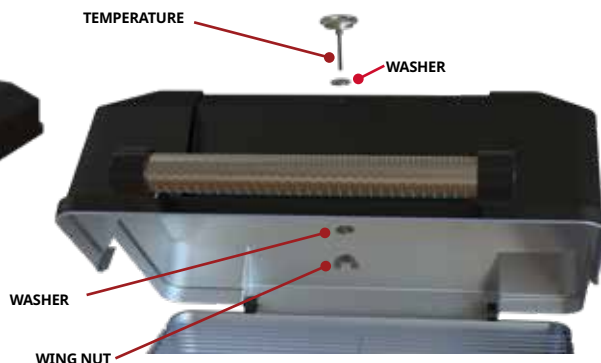
- Temperature Gauge
- Washer (2)
- Wing Nut

Installing the Temperature Gauge

- Insert the temperature gauge through one washer into the pre-drilled hole on the grill top casting making sure the gauge is facing outward.
- On the inside of the grill lid, install the second washer, then the Wing Nut to the temperature gauge post.
- Hand tighten the Wing Nut until temperature gauge is snug against the casting.



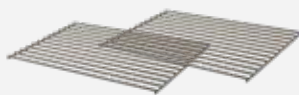
**PRE-DRILLED HOLE FOR
TEMPERATURE GAUGE**



STEP 8 ADDING THE STAINLESS STEEL OR SEARMAGIC COOKING GRIDS



PARTS INCLUDED HH-SS-GRID2 BOX:



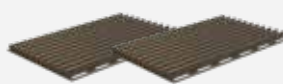
STAINLESS STEEL COOKING GRIDS (2)

HH-SS-GRID2
Stainless Steel
Cooking Grid

OR



PARTS INCLUDED JNR-SEAR-PK BOX:



SEARMAGIC COOKING GRIDS (2)



GRID CLEANING TOOL
(GGWB5)

JNR-SEAR-PK
SearMagic Cooking Grids



Installing Stainless Steel Cooking Grids

- The two stainless steel cooking grids should easily drop in side-by-side above both briquette grate and porcelain briquettes
- The top side of the Stainless Steel Grids has the rods on top of the frame.

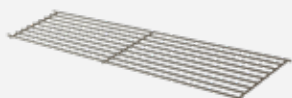


Installing SearMagic Cooking Grids

- The two SearMagic cooking grids should easily drop in side-by-side above both the briquette grate and the porcelain briquettes.
- The SearMagic Grids are reversible. Use the ribbed side for making sear marks on steaks and use the smooth side for more delicate items.

STEP 9 ADDING THE WARMING RACK

PART INCLUDED:



WARMING RACK
HHSST5

Installing the JNR Warming Rack

- Rest the warming rack on the notches located in the back top edge of the bottom casting.
- The top side of the warming rack has the rods on top of the frame.

REST WARMING RACK
ON NOTCHES



ATTACHING TO GAS LINE



For complete steps on connecting your grill to a gas line please refer to the instructions included in the assembly manual for your specific mounting.

FOR NATURAL GAS & HARD-PLUMBED LP GAS INSTALLATIONS

BENDING STAINLESS STEEL TUBING



Do not make sharp bends when bending your flexible stainless-steel tubing to match the feed of your grill valve and position in the top notch of the post.

FOR LP GAS INSTALLATIONS



The LP Hose and Regulator is factory installed on your control panel. Make sure the LP hose runs through the hose retention notch or clip (*depending on your specific grill mounting*). For additional information, reference your grill mounting assembly manual.

After you have successfully assembled your grill—hook up your gas lines and check all connections.

LEAK TESTING

- ⚠️ LEAK TEST ALL GAS CONNECTIONS BEFORE USING YOUR GRILL.
- ⚠️ DO NOT SMOKE WHILE LEAK TESTING.
- ⚠️ DO NOT LEAK TEST WITH A MATCH OR OPEN FLAME.
- ⚠️ DO NOT USE A GRILL THAT IS LEAKING GAS.
- ⚠️ YOU SHOULD TEST FOR GAS LEAKS EVERY TIME YOU DISCONNECT AND RECONNECT A GAS FITTING.
- ⚠️ PERFORM A LEAK TEST EVEN IF YOUR GRILL WAS DEALER OR STORE ASSEMBLED.
- ⚠️ DO NOT IGNITE BURNERS WHEN LEAK TESTING.

▶ For LP models, leak test with a full propane cylinder.

▶ For systems other than self-contained LP cylinders:

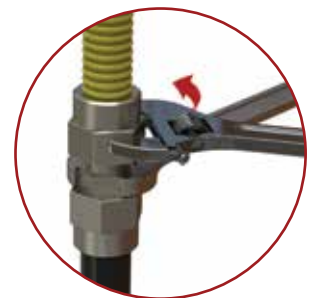
- The grill and its individual shut-off valve must be disconnected from the gas supply piping systems during any pressure testing of that system at test pressures in excess of 1/2 psi (3.5 kPa).
- The grill must be isolated from the gas supply piping system by closing its own manual shut off valve during any pressure testing of the gas

LEAK TESTING STEPS

1. Grill burner control valves should be turned off and the gas turned on at source.
2. Apply soap solution to all gas connections. To make soap solution, mix together equal amounts of liquid detergent and water.
3. Soap bubbles will appear if there is a leak.
4. Tighten the connection using a 3/4" combination wrench and adjustable wrench to make the proper seal (one wrench is used to hold the fitting while the other is used to tighten). Recheck for soap bubbles.

If a leak is detected...

If you have detected a leak try tightening and securing all connections. The use of two wrenches is recommended—one wrench is used to hold the fitting while the other is used to tighten.



Visit your local dealer or our online store
www.mhponlinestore.com

Enhance Your Grill

Our premium accessories have been designed specifically for our grills with quality materials and craftsmanship



STAINLESS STEEL SIDE BURNER

The premium commercial grade stainless steel side burner is 12,000 BTU rated, has its own electronic ignition, and is factory assembled for simple bolt-on installation. Available for both Natural and LP Gas.

SBA3-N (Natural Gas) | SBA3-P (LP Gas)



ROTISSERIE KIT

Rotisserie Kit includes RO6 stainless steel motor, motor mounting bracket, rotisserie rod, handle, bushing, forks and 3 ft. cord. Max. 25 lb. balanced load.

RKMHP

Protect Your Grill

Our grill covers are constructed of a durable polyester lined vinyl, designed to protect your grills from the elements.



Mid-Length Grill Cover
Side Shelf Up
HHCVPREM



Full-Length Grill Cover
Side Shelf Up
CV2PREM



Full-Length Grill Cover
Side Shelf Down
DDCVPREM

DON'T FORGET TO REGISTER YOUR GRILL!

It is the responsibility of the grill owner to complete and submit the warranty registration form to MHP in order for the warranty to be valid.

What you will need to register your grill:

- A bill of sale, canceled check, or payment record is required to verify the purchase date and establish warranty period.
- Model Number
- Serial Number
- Type of Grill Purchased (Natural or LP Gas)

How to find your grill model #/serial

The model number tag is located on the left end cap of the control panel.



Visit mhpgrillpartsonline.com/warranty-registration-form/ to register your grill online. A mail-in registration postcard is also included with your owner's manual.

YOUR MODEL #: JNR

YOUR SERIAL #:



Make the most out of your grilling experience!

From side burners and rotisseries to grill covers and more—we carry a complete line of grill upgrades, accessories and grill parts designed specifically for your MHP Grill.

»» Visit MHPGrills.com for more information


TECHNICAL SUPPORT

Modern Home Products

150 South Ram Road • Antioch, IL 60002

847.395.6556 • 888.647.4745

Customerservice@mhpgrills.com • www.mhpgrills.com

 **California Proposition 65 Warning:** This product can expose you to chemicals including Chromium (hexavalent compounds), which are known to the State of California to cause cancer and birth defects or other reproductive harm. For more information go to: www.P65Warnings.ca.gov.