

ProFire® Grills

Perfection by Design

PFFRIG24

24" PREMIUM OUTDOOR RATED REFRIGERATOR

Owner's Manual

Please read and follow all safety rules and operating instructions before using.



TABLE OF CONTENTS

Safety Instructions	3-4
Unpacking Your Refrigerator	4
Installation Instructions	5-7
Using Your Refrigerator	8-11
Built-In-Installation	12
Care & Maintenance	13
Troubleshooting	14
Warranty	15

ATTENTION:

INSTALLER:

Please leave these instructions with the consumer.

CONSUMER:

Please read & retain these instructions for future reference and before installing or operating



CONTACT INFORMATION

For customer service, please contact your authorized dealer immediately. If you need additional information and/or assistance, please contact:

ProFire Grills | 5565 N 124th Street, Butler, WI 53007

Toll-Free: 1-888-781-4657 | Fax: 1-888-781-3965

Email: CustomerService@ProFireGrills.com

CORRECT DISPOSAL OF THIS PRODUCT

This symbol on the product, or in its packaging, indicates that this product may not be treated as household waste. Instead, it should be taken to the appropriate waste collection point for the recycling of electrical and electronic equipment. By ensuring this product is disposed of correctly, you will help prevent potential negative consequences for the environment and human health, which could otherwise be caused by inappropriate waste handling of this product. For more detailed information about the recycling of this product, please contact your local council, your household waste disposal service, or the shop where you purchased the product.



IMPORTANT SAFETY INSTRUCTIONS

Save these instructions!



WARNING!

To reduce the risk of fire, electrical shock, or injury when using your appliance, follow these basic precautions:

- Read all instructions before using the outdoor refrigerator.
- **DANGER or WARNING:** Risk of child entrapment.
- Child entrapment and suffocation are not problems of the past. Junked or abandoned appliances are still dangerous even if they will “just sit in the garage a few days”.
- **Before you throw away your old outdoor refrigerator:** Take off the door. Leave the shelves in place so that children may not easily climb inside.
- Never allow children to operate, play with, or crawl inside the appliance.
- Never clean appliance parts with flammable fluids. The fumes can create a fire hazard or explosion.
- Do not store or use gasoline or any other flammable vapors and liquids in the vicinity of this or any other appliance. The fumes can create a fire hazard or explosion. Do not store explosive substances such as aerosol cans with a flammable propellant in this appliance.
- WARNING: Keep ventilation openings, in the appliance enclosure or in the built-in structure, clear of obstruction;
- WARNING: Do not use mechanical devices or other means to accelerate the defrosting process, other than those Recommended by the manufacturer;
- To avoid a hazard due to instability of the appliance, it must be fixed in accordance with the instructions.
- WARNING: Do not damage the refrigerant circuit;
- WARNING: Do not use electrical appliances inside the food storage compartments of the appliance, unless they are the type recommended by the manufacturer.
- **If the refrigerant of these appliances are R600a, flammable and explosive articles should not be put in or near the cabinet, to avoid the fire or explode caused.**

SAFETY INSTRUCTIONS *continued*

- To prevent damaging the door gasket, make sure to have the door all the way opened when pulling shelves out of the rail compartment.
- The appliance must be positioned so that the plug is accessible. Release the electric cord. Move your cabinet to its final location. Do not move your Cabinet while loaded with wine. You might distort the body. The wine cellar should be installed in a suitable place in order to avoid touching the compressor with hand.
- This appliance is not intended for use by persons (including children) with reduced physical, sensory or mental capabilities or lack of experience and knowledge, unless they have been given supervision or instruction concerning use of the appliance by a person responsible for their safety.
- If the supply cord is damaged, it must be replaced by manufacturer of its Service agent or a similarly qualified person in order to avoid a hazard.
- Plug directly into a three prong outlet. Do not use an adapter or extension cord.

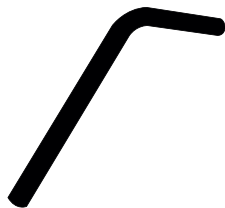
UNPACKING YOUR OUTDOOR REFRIGERATOR

- Remove the exterior and interior packing materials.
- Let the appliance stand upright for approximately 2 hours before connecting it to the power source. This will help to reduce the possibility of a cooling-system malfunction from handling during transportation.
- Use a soft cloth to clean the interior surface with lukewarm water

The following are packed with your Outdoor Rated Refrigerator:



DOOR KEYS



5/32" ALLEN WRENCH



**HINGE PIN
(QTY. 2)**



**HINGE COVER
(QTY. 2)**

INSTALLATION INSTRUCTIONS

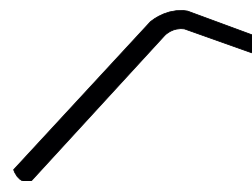
TOOLS NEEDED FOR INSTALLATION



**PHILLIPS HEAD
SCREWDRIVER**



**FLAT HEAD
SCREWDRIVER**



**5/32" ALLEN
WRENCH**

INSTALLATION INSTRUCTIONS

BEFORE USING YOUR OUTDOOR REFRIGERATOR

- Remove the exterior and interior packing.
- Before connecting the outdoor refrigerator to the power source, let it stand upright for approximately 2 hours. This will reduce the possibility of a malfunction in the cooling system from handling during transportation.
- Clean the interior surface with lukewarm water using a soft cloth.
- This appliance is intended to be used in household and similar applications such as
 - staff kitchen areas in shops, offices and other working environments;
 - farm houses and by clients in hotels, motels and other residential type environments;
 - bed and breakfast type environments;
 - catering and similar non-retail applications.
- When disposing your appliance, please choose an authorized disposal site.

INSTALLATION OF YOUR OUTDOOR REFRIGERATOR

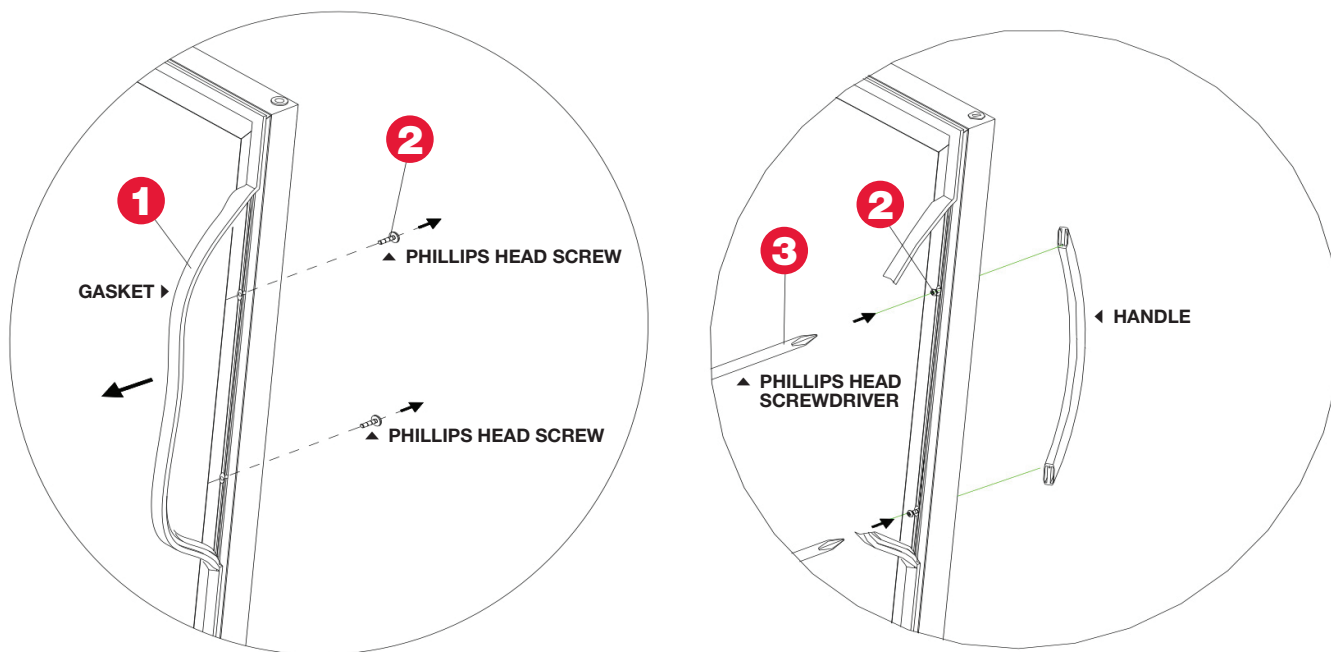
- This appliance is designed to be for free standing installation or built-in (fully recessed) (Refer to sticker location the back of this appliance).
- **This appliance is intended to be used exclusively for the storage of beverages or cold drinks.**
- Place your outdoor refrigerator on a floor that is strong enough to support it when it is fully loaded. To level your outdoor refrigerator, adjust the front leveling leg at the bottom of the outdoor refrigerator.
- This appliance is using flammability refrigerant. So never damage the cooling pipework during the transportation. Locate the outdoor refrigerator away from direct sunlight and sources of heat (stove, heater, radiator, etc.). Direct sunlight may affect the acrylic coating and heat sources may increase electrical consumption. Extreme cold ambient temperatures may also cause the unit not to perform properly.
- Avoid locating the unit in moist areas.
- Plug the outdoor refrigerator into an exclusive, properly installed-grounded wall outlet. Do not under any circumstances cut or remove the third (ground) prong from the power cord. Any questions concerning power and/or grounding should be directed toward a certified electrician or an authorized products service center.

INSTALLATION INSTRUCTIONS *continued*

INSTALLING THE STAINLESS STEEL HANDLE

This outdoor rated refrigerator includes a stainless-steel handle. To install the handle please follow the below instructions:

- 1 Pull away the door gasket in the area where the handle is to be installed on the left side as shown in the illustration below. The gasket is easily displaced by hand, no tools are necessary.
- 2 Align the handle with the screws installed.
- 3 Tighten the screws using a Phillips head screwdriver until the handle sets both flush and secured tightly against the door frame. (DO NOT over tighten as this will cause damage to the handle assembly).
- 4 Replace the door gasket to its original position.



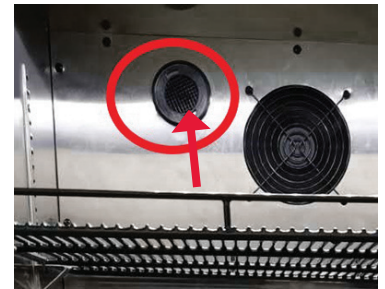
AMBIENT ROOM TEMPERATURE LIMITS

This appliance is designed to operate in ambient temperatures specified by its temperature class marked on the rating plate.

Class	Symbol	Ambient Temperature Range (°C)	
		°C	°F
Extended Temperate	SN	10°C to 32°C	50°F to 89°F
Temperate	N	16°C to 32°C	32°F to 89°F
Subtropical	ST	16°C to 38°C	32°F to 100°F
Tropical	T	16°C to 43°C	32°F to 109°F

CHARCOAL FILTRATION SYSTEM

This outdoor rated refrigerator is equipped with an active charcoal filtration system to ensure air purity, cooling efficiency, and to maintain an odor free cabinet. The filter assembly is located at the rear panel inside your unit. **The charcoal filter should be changed every 12 months.**



How to Change the Filter:

- 1 Remove all items from shelves
- 2 Remove the shelves and set aside until filter has been changed
- 3 Hold the filter and turn it counter-clockwise 45 degrees and then pull it out
- 4 Remove the existing filter and replace it with a new one (Part #PFFRIGFIL)
- 5 After putting the new filter in place, turn it clockwise 45 degrees



CHARCOAL REPLACEMENT FILTER
PART #PFFRIGFIL

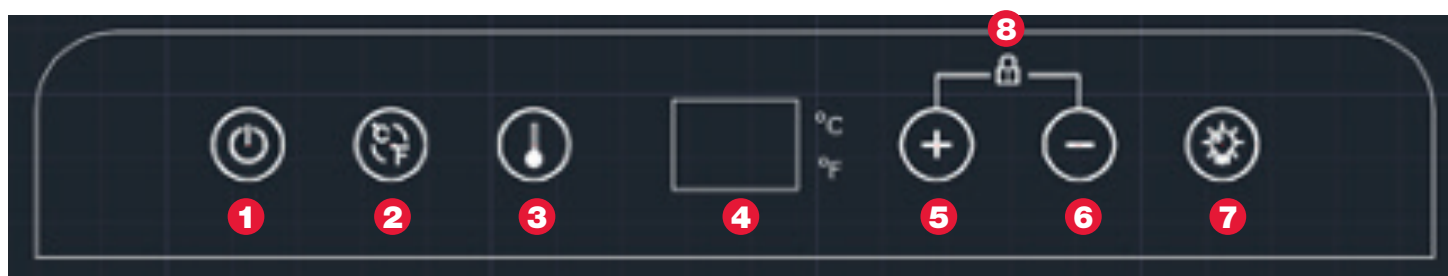


Attention

- Store wine in sealed bottles;
- Do not overload the cabinet;
- Do not open the door unless necessary;
- Do not cover shelves with aluminum foil or any other shelf material which may prevent air circulation;
- Should the outdoor refrigerator be stored without use for long periods it is suggested, after a careful cleaning, to leave the door ajar to allow air to circulate inside the cabinet in order to avoid possible formations of condensation, mold or odors.

USING YOUR REFRIGERATOR

CONTROL PANEL



- 1 ON/OFF Power:** To turn the appliance ON or OFF, press and hold the Power button for 3 seconds.
- 2 °C/°F Selector:** Press the button to change the temperature display between Celsius and Fahrenheit.
- 3 Temperature Setting:** To display the set temperature, press the Temperature Setting button once—the display flashes and shows the set temperature. After 5 seconds the temperature inside the unit will reappear in the display window
 - 5 Increase Temperature:** The temperature will increase by one degree each time you press the "+" button.
 - 6 Decrease Temperature:** The temperature will decrease by one degree each time you press the "-" button.
- 4 Display Window:** 2-digit LED display to show temperature setting or actual interior temperature.
- 7 Light Button:** Press to turn light on or off.
- 8 Key Lock Function:** If there is no operation of the digital controls for 3 minutes, they will be locked automatically. Press the + and - buttons at the same time for 3 seconds to unlock.

USING YOUR REFRIGERATOR *continued*

SETTING THE TEMPERATURE CONTROLS

- ▶ The temperature setting can be adjusted from 0°C/32°F to 20°C/68°F
- ▶ The temperature preset at the factory is 5°C/41°F

Attention

If the unit is unplugged, power lost, or turned off, you must wait 3 to 5 minutes before you restart the unit. If you try to restart before this time delay, it will not start. If it is the first time in use—or if it has been off for a long time—the temperature will difference between setting and LED display temperature. After running a period, the temperature will be reverting back.

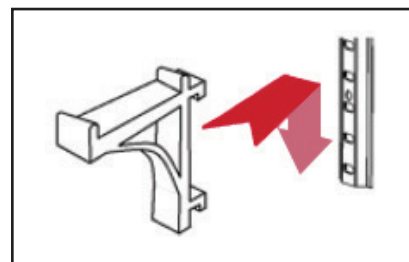
SHELVES

Any of the shelves can be removed or readjusted to accommodate larger items.

- When removing shelves off of the shelf supports, make sure to remove all items first.
- To prevent damaging the door gasket, make sure to have the door fully opened when pulling the shelves out of the shelf supports

To remove a shelf:

- Move the shelf towards the gap on both sides.
- Once the shelf support is released from the gap, lift the shelf upwards and pull it out from the cabinet.



DOOR LOCK

Your unit comes with a lock and key combination

The keys are located inside the plastic bag that contained this Owner's Manual.

To Unlock Door: Insert the key into the lock and turn it counter-clockwise

To Lock Door: Insert the key into the lock and turn it clockwise, making sure the metal pin is engaged completely. Remove key and put it in a secure place for safekeeping.



USING YOUR REFRIGERATOR *continued*

REVERSING THE DOOR SWING OF YOUR APPLIANCE

The glass door has the capability of opening from either the left side or the right side. The appliance is delivered with the door opening from the left side. Please follow the directions to reverse the opening direction to open from the right side. This is easiest when done with two people.

PARTS



Hinge Cover



Hinge Pin



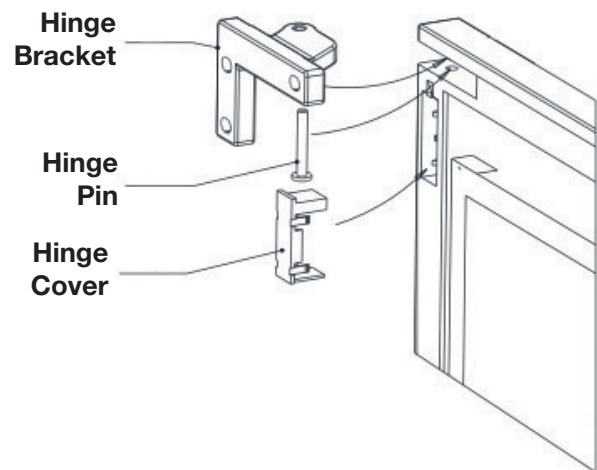
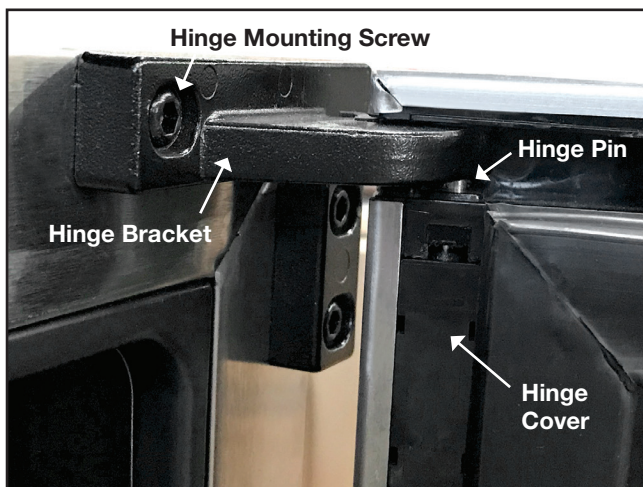
Upper Hinge Bracket



Lower Hinge Bracket



Hinge Mounting Screw



STEP ONE

You will first need to open the door so that it is parallel to the rest of the unit. Use a flat head screwdriver to open the upper hinge cover to reveal the hinge pin. Then use the flat head screwdriver to loosen the hinge pin and let it slide down the hinge pin slot.

Remove the lower hinge cover in the same fashion as the upper hinge and loosen then slide the hinge pin up to remove the glass door.

USING YOUR REFRIGERATOR *continued*

STEP TWO

Using a phillips head screwdriver, remove the screws for the Lock Latch Hook and Magnet from the glass door. Set these items aside temporarily.

Flip the glass door 180 degrees to reinstall the Lock Latch Hook and Magnet onto the new bottom of the glass door using the predrilled holes and a phillips head screwdriver.

- The Lock Latch Hook should be installed using the predrilled holes on the bottom middle of the glass door
- The Magnet should be installed using the predrilled holes to the right of the Lock Latch Hook



Door Lock Latch



Door Magnet

STEP THREE

Using a 5/32" Allen wrench, remove the upper and lower hinge mounting screws.

STEP FOUR

To reinstall the hinge brackets, first remove the six screws from the predrilled holes on the opposite side of the unit using a phillips head screwdriver, being careful not to scratch the stainless steel sides. Set these screws aside temporarily. You are now ready to install the upper and lower hinge brackets.

- The right upper hinge bracket is changed into the left lower hinge bracket
- The right lower hinge bracket is changed into the left upper hinge bracket
- Fill open predrilled holes on right side of your unit with the 6 screws that were previously set aside.



STEP FIVE

Remove the door latch from the lower left side of unit and move it to the lower right side of the unit using the predrilled holes and a phillips head screwdriver.



Door Latch

STEP SIX

Reinstall the glass door onto the unit, starting with the lower part of the door.

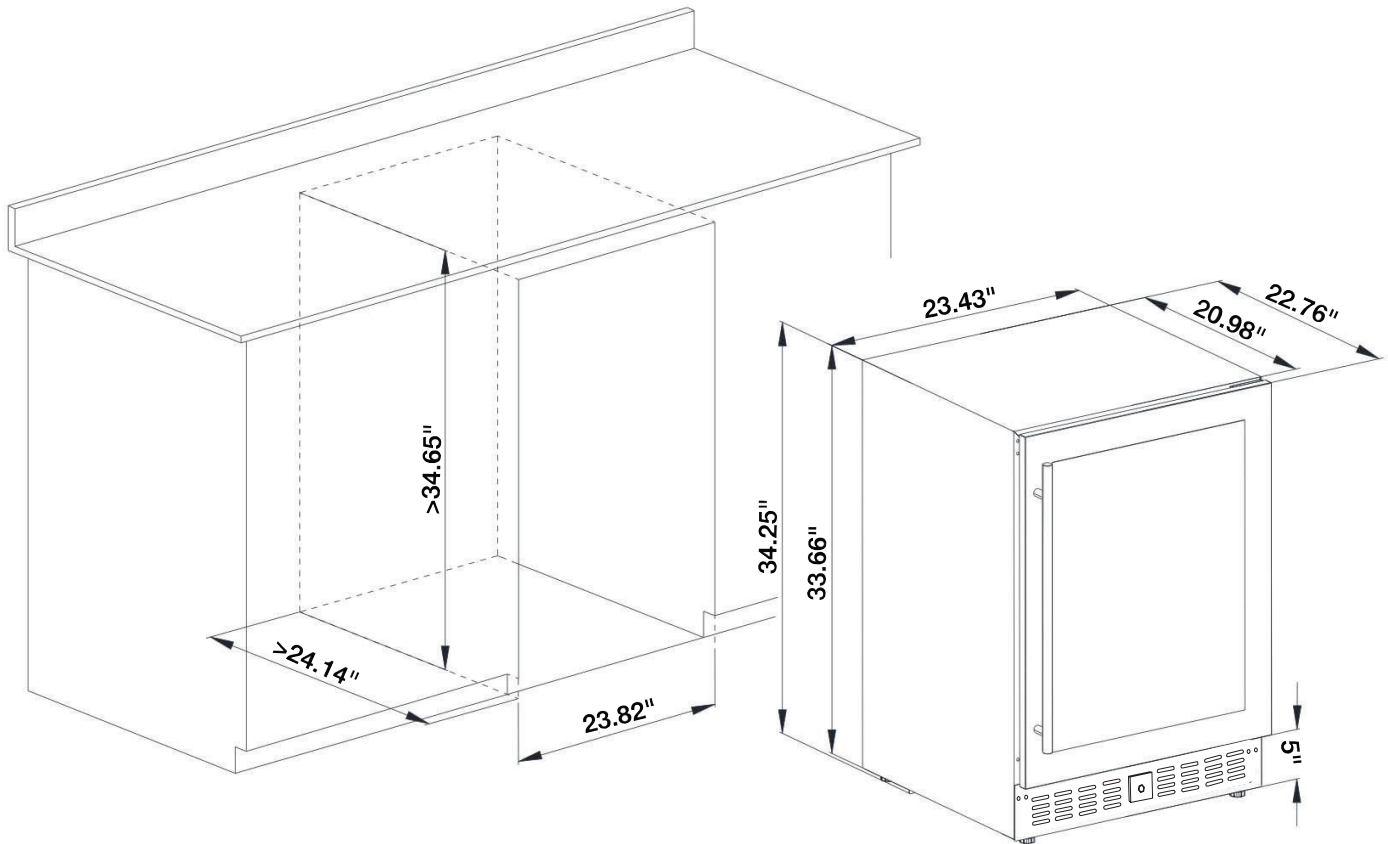
- Lift the door and insert the lower hinge into the corner fittings aligning the mounting holes
- Insert the hinge pin into the hinge hole in position
- Replace the hinge cover

Once the lower part of the door is installed, you can install the top part of the door

- Insert the top hinge into the corner fittings aligning the mounting holes
- Insert the hinge pin into the hinge hole in position.
- Replace the hinge cover

BUILT-IN INSTALLATION

INSTALLATION SPECIFICATIONS FOR BUILT-IN APPLICATIONS



The ProFire PFFRIG24 Premium Outdoor Rated Refrigerator is the ideal addition to your outdoor entertainment area

Front Vented

Fully integrated locking glass door

Hidden HInge

Reversible door swing

304 Commerical-Grade Stainless steel adds style and holds up to the elements

ETL approved for outdoor use

CLEAN YOUR OUTDOOR REFRIGERATOR

- Turn off the power, unplug the appliance, and remove all items including shelves and rack.
- Wash the inside surfaces with a warm water and mild solution
- Wash the shelves with a mild detergent solution
- Wring excess water out of the sponge or cloth when cleaning control panel or any electrical parts.
- Wash the outside cabinet with warm water and mild liquid detergent. Rinse well and wipe dry with a clean soft cloth.
- We recommend that you apply a surface protectant to all exterior exposed stainless steel surfaces. Spray a small amount of WD-40 or Shelia Shine on a piece of paper towel and rub with the grain over the surface of the appliance.

POWER FAILURE

Most power failures are corrected within a few hours and should not affect the temperature of your appliance if you minimize the number of times the door is opened. If the power is going to be off for a long period of time, you need to take the proper steps to protect your contents.

VACATION TIME

- **Short vacations:** Leave the outdoor refrigerator operating during vacations of less than three weeks.
- **If the appliance will not be used for several months,** remove all items and turn off the appliance. Clean and dry the interior thoroughly. To prevent odor and mold growth, leave the door open slightly: blocking it open if necessary.

MOVING YOUR OUTDOOR REFRIGERATOR:

- Remove all items
- Take out the loose items inside the outdoor refrigerator (including shelves)
- Turn the adjustable leg up to the base to avoid damage
- Tape the door shut
- Be sure the appliance stays secure in the upright position during transportation. Also protect outside of appliance with a blanket or similar items.

ENERGY SAVING TIPS

- The outdoor refrigerator should be located in the coolest area of the room—away from heating vents, ranges and out of the direct sunlight.
- Keep the door closed as much as possible, especially in hot, humid weather
- Reduce moisture build-up inside the appliance by covering open items.

PROBLEMS WITH YOUR OUTDOOR REFRIGERATOR

You can solve many common outdoor refrigerator problems easily, saving you the cost of a possible service call. Try the suggestions below to see if you solve the problem before calling the servicer.

Problem	Possible Cause
Outdoor refrigerator does not operate	<ul style="list-style-type: none"> • Not plugged in • The appliance is turned off • The circuit breaker tripped or a blown fuse
Outdoor refrigerator is not cold enough	<ul style="list-style-type: none"> • Check the temperature control setting • External environment may require a higher setting • The door is opened too often • The door is not closed completely • The door gasket does not seal properly
Turns on and off frequently	<ul style="list-style-type: none"> • The room temperature is hotter than normal • Overload of the cabinet • The door is opened too often • The door is not closed completely • The temperature control is not set correctly • The door gasket does not seal properly
The light does not work	<ul style="list-style-type: none"> • Not plugged in • The circuit breaker tripped or a blown fuse • The bulb has burned out • The light button is "OFF"
Vibrations	Check to sure that the unit is level
Too much noise	<ul style="list-style-type: none"> • The rattling noise may come from the flow of the refrigerant, which is normal • As each cycle ends, you may hear gurgling • Contraction and expansion of the inside walls may cause popping and crackling noises • The unit is not level
The door will not close properly	<ul style="list-style-type: none"> • The outdoor refrigerator is not level • The door was reversed and not properly installed • The gasket is dirty • The shelves are out of position

ProFire, LLC hereby warrants to the Original Purchaser of the ProFire 24" Premium Outdoor Rated Refrigerator that it will be free of defects in material and workmanship from the date of purchase as follows:



LIMITED LIFETIME WARRANTY:

(Against Rust Through)

- Stainless Steel Exterior Body
- Stainless Steel Interior Liner



3-YEAR WARRANTY ON THE FOLLOWING:

- Compressor System



1-YEAR WARRANTY ON THE FOLLOWING:

All remaining parts with the exception of normal wear parts like filters & lightbulbs

When assembled and operated in accordance with the printed instructions accompanying it. ProFire requires reasonable proof of your date of purchase. **Therefore, you must retain your sales slip or invoice. Outdoor rated refrigerator should be registered within 60 days of purchase for warranty to be valid.**

Outdoor rated refrigerators in a commercial, community or multi-tenant application will have a 1 year warranty on all parts.

This Limited Warranty shall be limited to the repair or replacement of parts which prove defective under normal use and service and which on examination, shall indicate to ProFire's satisfaction, they are defective. Warranty is for parts only. There is no warranty for labor. Before returning any parts, contact the ProFire Customer Service Department. If ProFire confirms the defect and approves the claim, ProFire will elect to replace such parts without charge. If you are required to return defective parts, transportation charges must be prepaid. ProFire will return parts to the purchaser, freight or postage prepaid.

This Limited Warranty does not cover failures or operating difficulties due to accident, abuse, misuse, alteration, misapplication, vandalism, improper installation or improper maintenance or service, or failure to perform normal and routine maintenance, including but not limited to damage caused by insects within the burner tubes, as set out in the owner's manual.

Discoloration due to exposure of chemicals either directly or in the atmosphere such as chlorine, fertilizers, lawn pesticides, and salt can affect the Stainless Steel components and for this reason does not fall under the warranty terms. Deterioration or damage due to severe weather conditions such as hail, excessive humidity, hurricanes, earthquakes, tornadoes, or other acts of God are not covered by this Limited Warranty. **Discoloration of Stainless Steel including but not exclusive to surface rust is normal and is not covered by this Warranty. Therefore the discoloration, surface rust or rust are not covered unless there is a loss of structural integrity or rust through.**

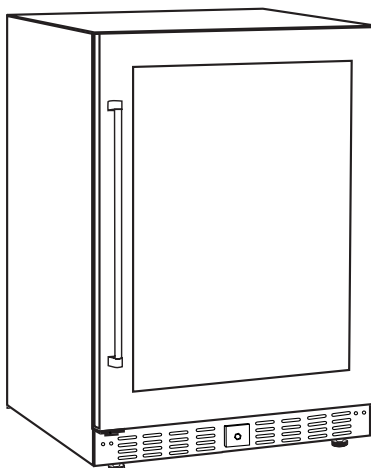
There are no other express warrants except as set forth herein and any applicable implied warranties of merchantability and fitness are limited in duration to the period of coverage of this express written Limited Warranty.

ProFire is not liable for any special, indirect or consequential damages. All warranties are non-transferable and apply only to the original purchaser. Warranties are null and void if grills are put into commercial or community use. ProFire does not authorize any person or company to assume for it any other obligation or liability in connection with the sale, installation, use, removal, return, or replacement of its equipment; and no such representations are binding on ProFire. Implied warranty shall not extend beyond the duration of this written warranty. This warranty is in lieu of all other warranties expressed or implied and all other obligations or liability in connection with the sale of this appliance.



California Proposition 65 Warning: This product can expose you to chemicals including Chromium (hexavalent compounds), which are known to the State of California to cause cancer and birth defects or other reproductive harm. For more information go to: www.P65Warnings.ca.gov.





DON'T FORGET TO REGISTER YOUR NEW PRODUCT

Visit www.ProFireGrills.com to complete our online registration form

Refrigerator Model: PFFRIG24 _____

Grill Serial Number: _____

Date Purchased: _____

Date Installed: _____

ProFire Dealer's Phone Number: _____

ProFire Dealer's Address: _____

**For customer service please contact your authorized dealer immediately.
If you need additional information and/or assistance, please contact:**

ProFire® Grills
Perfection by Design

ProFire Grills

5565 North 124th Street • Butler, WI 53007
Toll Free: 1-888-781-4657 • Fax: 1-888-781-3965
Email: CustomerService@ProFireGrills.com



Family Owned & Operated Since 1957