



IN-GROUND MOUNTING ASSEMBLY (MPP) Installation Manual



SCAN THE
QR CODE FOR
ASSEMBLY VIDEO

English

⚠ IMPORTANT SAFETY WARNINGS

The appliance is **FOR OUTDOOR USE ONLY**. It is not to be used inside a garage, other building or any type of enclosed area.

WARNING:

- All MHP Grill Heads may be mounted on the 4 foot post for in-ground installation.
- The gas supply may be either LP or Natural
- The grill head should not be attached to the post until the post is permanently cemented in ground.

⚠ DANGER: IF YOU SMELL GAS

1. Shut off gas to the appliance
2. Extinguish any open flame
3. Open lid
4. If odor continues, keep away from the appliance and immediately call your gas supplier or your fire department. **Failure to follow these instructions could result in fire or explosion which could cause property damage, personal injury or death.**

⚠ WARNING: FOR YOUR SAFETY

1. Do not store or use gasoline or other flammable liquids or vapors in the vicinity of this or any other appliance
2. An LP cylinder not connected for use shall not be stored in the vicinity of this or any other appliance.
3. Follow all leak-test procedures in your owner's manual (included with your grill head) carefully before using. Do this even if the grill was dealer assembled. Do not try to light this appliance

📄 PARTS LIST:

The following parts are included with your assembly.

					
GGP4 48" X 4" ALUMINUM GRILL POST	GGADC ALUMINUM GRILL POST ACCESS DOOR	GGCTSS 28" STAINLESS STEEL FLEX TUBE	GGGC STAINLESS STEEL GREASE CUP	GGM13 KEP NUTS (QTY. 3)	GGM6 20" X 3/4" HEX BOLT (QTY. 3)
Parts for post installation			Parts to attach grill head to post		

Additional Items Needed For Post Installation (Not Included)









CONCRETE MIX



3/8" FLARE COUPLING

🔧 TOOLS LIST:

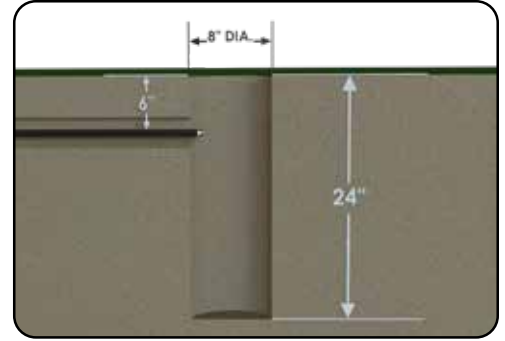
Used for Post installation				Used for Grill Head installation	
					
POST HOLE DIGGER	HAND LEVEL	ADJUSTABLE WRENCH	3/4" OPEN END WRENCH	7/16" OPEN END WRENCH - OR - 7/16" SOCKET WRENCH	7/16" NUT DRIVER

STEP 1 IN-GROUND MOUNTING PREPARATION



A few days before installing, make sure to contact 811, or visit your state's 811 website, to request that the approximate location of buried utilities be marked with paint or flags so that you don't unintentionally dig into an underground utility line.

- Once your area has been marked for utility lines, begin by digging a hole about 8 inches wide by 2 feet deep using a post hole digger.
- ⚠️ **Locate the hole so that when the grill is mounted it has a clearance of at least 18" from any combustible object or surface; back, left and right.**
- Center the post in the hole and plumb it using a level. **Keep in mind that the gas line access hole is on the back of the post and the notch at the top is facing front.**
- Once you are sure that the post placement is correct, pour concrete mix (*per manufacturer's instructions*) into the hole and fill to a level just below the gas line access hole.
- Recheck post with level to ensure it is plumb and allow the cement to set per manufacturer's instructions.



STEP 2 RUNNING GAS SUPPLY LINE



When installing a new gas line, it is recommended that you contact a plumber, heating contractor or licensed gas fitter to install your new gas line to meet local building code.

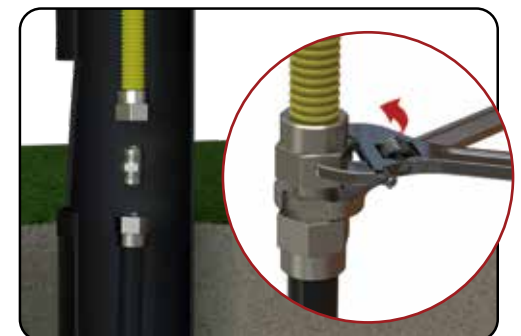
- **Run the gas supply line into the access hole, which is located just above the cement, and make a 90° bend.** Your gas supply line should be long enough to reach all the way up to your access window that is located above ground level in the back of the post.
- ⚠️ **The gas supply line must be regulated** (*in the case of natural gas that means it should be connected after your gas meter and regulator*) **and you must have an easily accessible main shut-off valve to your grill's gas supply.** Grills are designed to operate on a pressure of 7" w.c. in. for Natural or 11" w.c. in. for Propane at the grill valve connection.



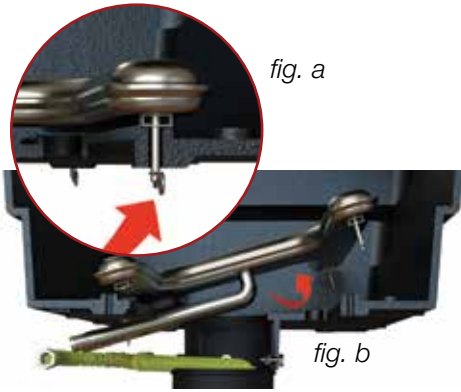
STEP 3 CONNECTING GAS LINES

At the post access window connect a 3/8" flare coupling (*not supplied by MHP*) to the gas supply line then the yellow powder coated flexible stainless-steel tubing (GGCTSS) using a 3/4" wrench. The use of two wrenches is recommended—one wrench is used to hold fitting while the other is used to tighten.

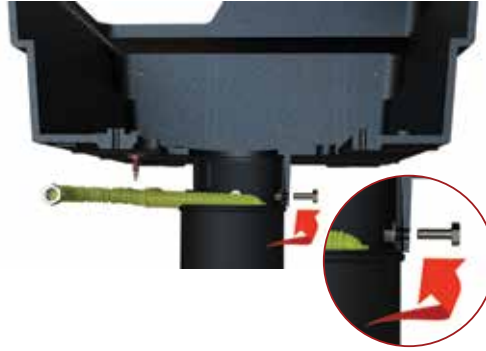
- ⚠️ **Tighten very securely as flare fittings are a metal-upon-metal surface seal and no additional gas sealant is needed.** Once your grill head is attached you should go back and check for any gas leaks with a soap and water solution before using your grill.



STEP 4 ATTACH GRILL HEAD TO POST



First, remove the grill burner by taking out the small clip located under the bottom grill head (fig. a) then, pull the burner up and out of the grill head (fig. b). This will allow access to hold the Kep nuts inside the post while attaching the bottom casting.



Set the bottom casting carefully in place, align the holes and use the 1/4-20 x 3/4" bolts and 1/4-20 Kep nuts to attach the casting to the post. Use a 7/16" nut driver to hold the Kep nut inside the post while tightening your bolt using a 7/16" Open-End Wrench or Socket Wrench.



Mount the grease cup holder to the rear flange hold with a 1/4-20 x 3/4" bolt and 1/4-20 Kep nut. The grease cup holder is supplied with the grill head.

You are now ready to reinstall your grill burner. Please reference your grill installation manual for instructions.

Please reference your grill installation manual for further assembly information.



After you have successfully assembled your grill—hook up your gas lines and check all connections.

BENDING STAINLESS STEEL TUBING



Do not make sharp bends when bending your flexible stainless-steel tubing to match the feed of your grill valve and position in the top notch of the post.



Ensure that your connections are secure and backfill the hole around your post, install your access hole cover and you're ready to attach the grill head to the post.

TECHNICAL SUPPORT

Modern Home Products

150 South Ram Road • Antioch, IL 60002

847.395.6556 • 888.647.4745

Customerservice@mhpgrills.com • www.mhpgrills.com

California Proposition 65 Warning: This product can expose you to chemicals including Chromium (hexavalent compounds), which are known to the State of California to cause cancer and birth defects or other reproductive harm. For more information go to: www.P65Warnings.ca.gov.